

技术要求 Specification:

1、材质:磷青,表面镀锡

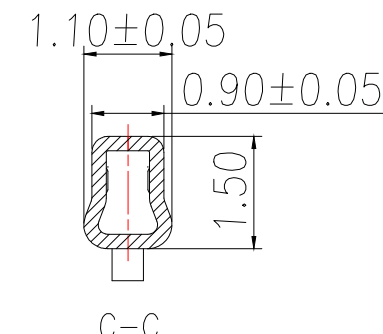
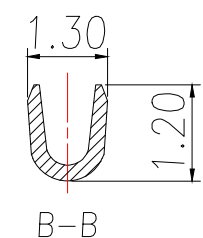
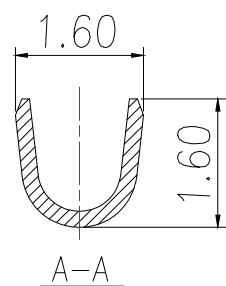
Material:Phos.Bronze Tin-Plated

2、零件外观不得有有害毛刺、尖角、锐边和机械损伤表面镀层应均匀、光亮、无雾斑、剥层等缺陷;

Parts may not have the appearance of harmful burrs, sharp corners, sharp edges and mechanical damage, surface coating should be uniform, bright, no fogspots, delamination and other defects.

3、适用线号:AWG#32-#26;

Wirerange: AWG#32-#26



制图 DRAWN	变更内容 DESCRIPTION	日期 DATE	GENERAL TOLERANCE		制图 DRAWING	EMMA EVA JADE	料号 PART NO.	BX-ZH1.5-DZ	版本 REV.	A
			.X±0.30	X.°±1°	审核 CHECK		品名 TITLE	ZH1.5MM TERMINAL	页次 SHEET	1/1
			.XX±0.20		核准 APPROVAL		客户料号 CUTM.NO.			
			.XXX±0.10		单位 UNITS		MM	比例 SCALE		

