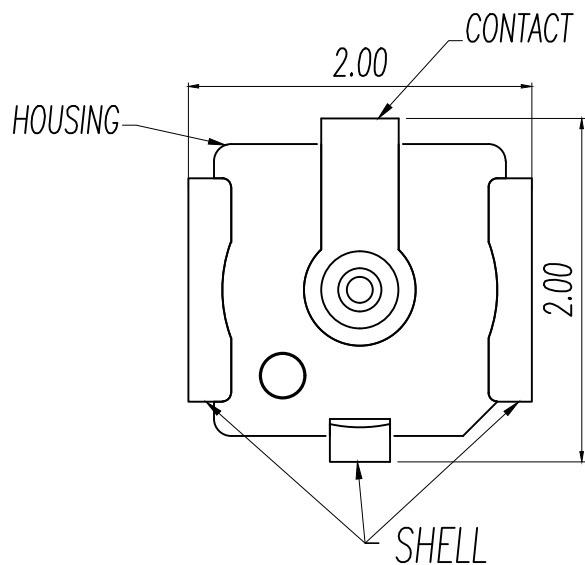
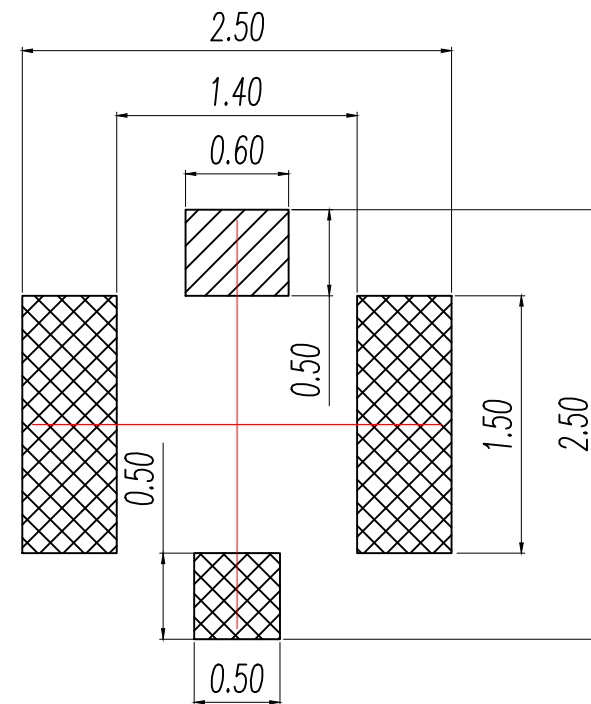
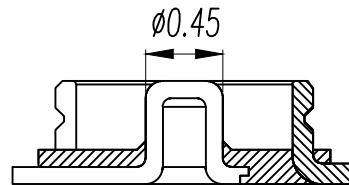
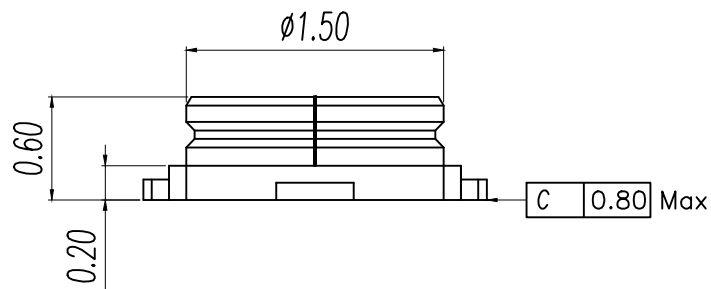


NOTES :

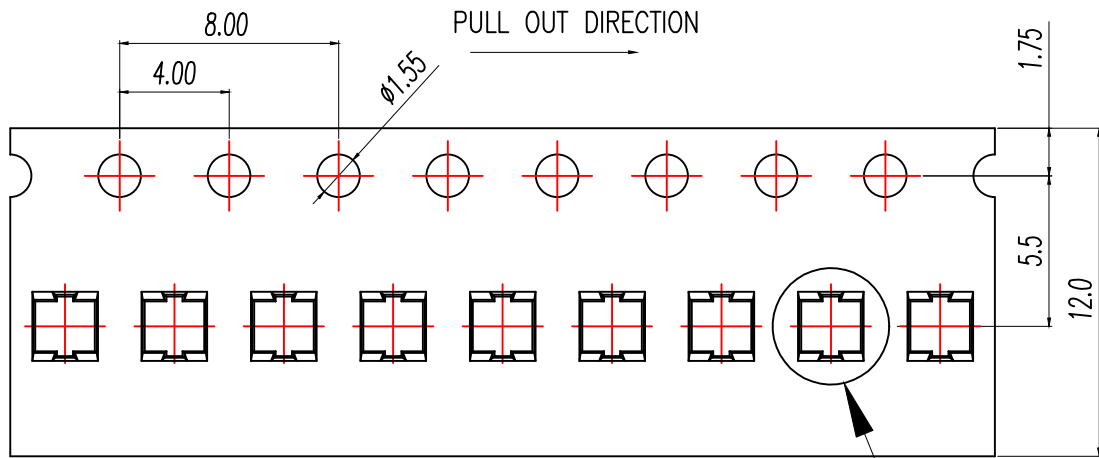
- 1.0. RATING :
  - 1.1. VOITAGE :60 VAC (R.M.S.)
  - 1.2. NOMINAL CHARACTERISTIC IMPEDANCE: 50 Ohm
  - 1.3. APPLICABLE FREQUENCY: DC ~ 6GHz
  - 1.4. VSWR: 1.3 MAX. (DC~3GHz), 1.5 MAX. (3~6GHz)
  - 1.5. TEMPERATURE : -40°C TO +85°C

- 2.0. ALL DIMENSIONS SHOULD BE CONTROLLED IN FAI.:
- 3.0. MARKED  $\nabla$  SHOULD BE CONTROLLED BY QIP.:



RECOMMENDED PCB LAYOUT  
(TOLERANCE:±0.05)

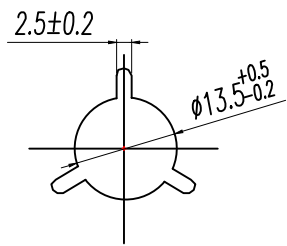
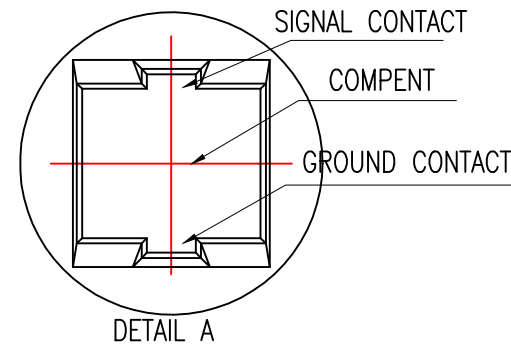
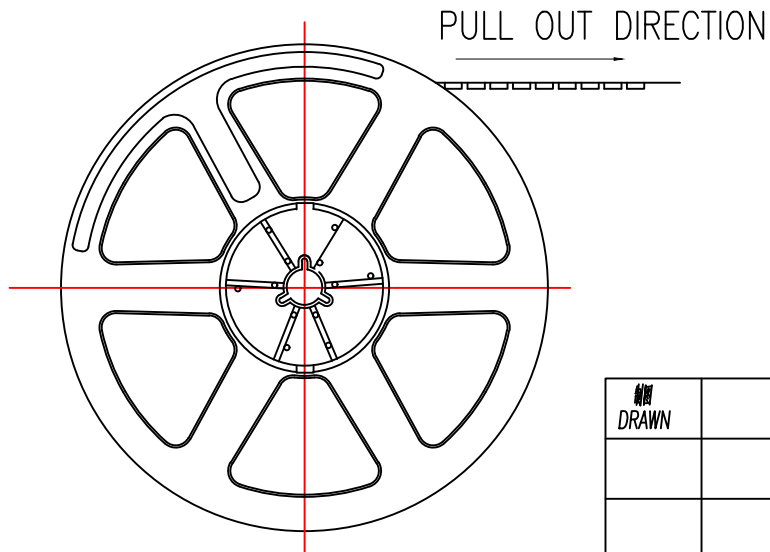
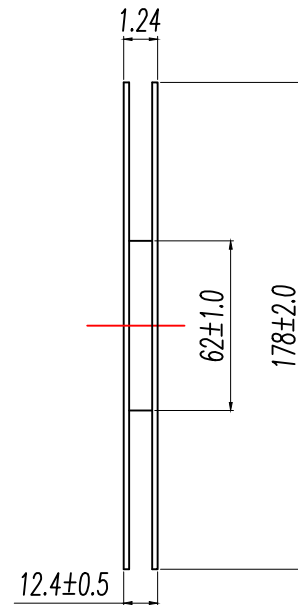
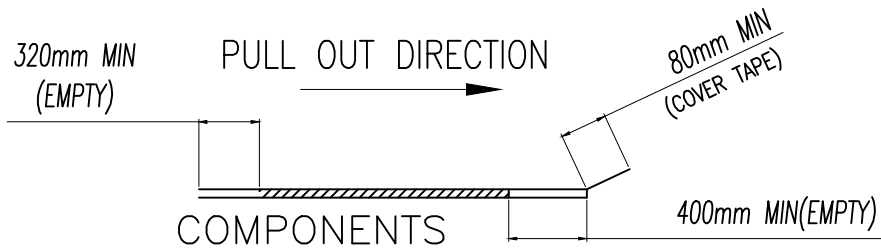
繪圖 DRAWN	規格 DESCRIPTION	日期 DATE	GENERAL TOLERANCE		繪圖 DRAWING	EMMA	料號 PART NO.	BX-RF3-1.5Z0.6H	版 REV.	A
			X.±0.20	X.*±3'						
			.X±0.10	.X*±2'	審核 CHECK	EVA	品名 TITLE	MICRO RF IV BOARD SMT TYPE PACKING DWG	頁次 SHEET	1/1
			.XX±0.05	.XX*±1'	核准 APPROVAL	JADE	料號 CUTM.NO.			
					單位 UNITS	MM	比例 SCALE	1:1		



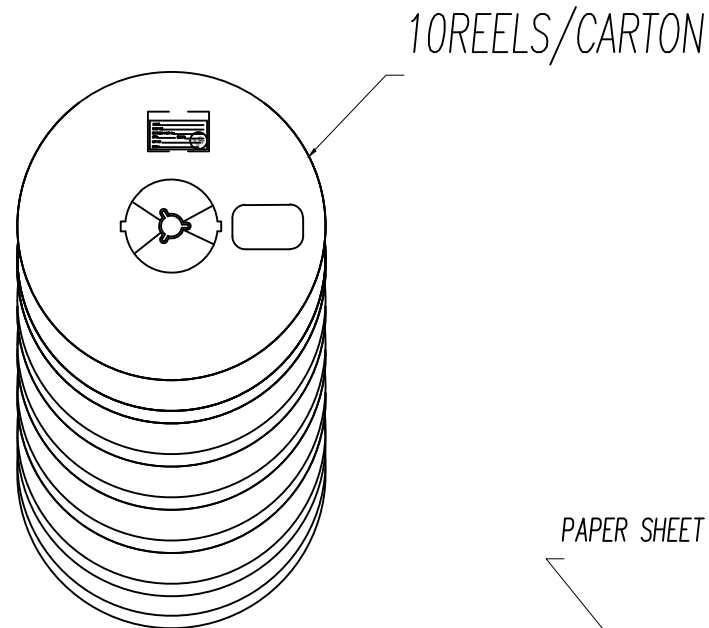
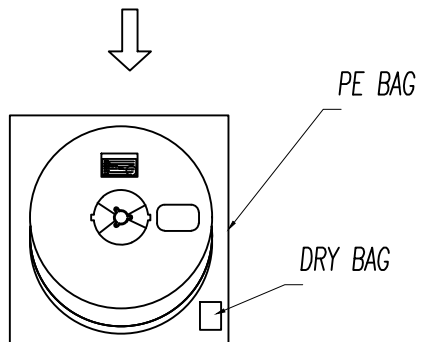
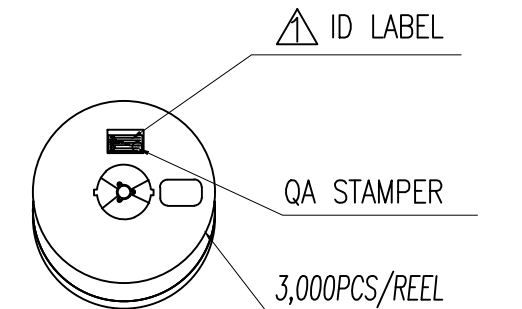
NOTES:

1. MATERIAL :
  - 1.1 EMBOSSED CARRIER: PET
  - 1.2 COVER TAPE: PET
  - 1.3 SHIPPING CARTON: CORRUGATED FIBER
2. DIMENSION :
  - 2.1 REEL: W=12.4
  - 2.2 SHIPPING CARTON: L=190, W=190, H=190
3. PEELING RESISTANCE: 10gf~130gf.
4. QUANTITY/WEIGHT :

PART NO.	PRIMARY PACKING	SECONDARY PACKING	NET WEIGHT	GROSS WEIGHT
BX-RF3-1.5Z0.6H	3000PCS/REEL	30000PCS/BOX	0.18KG/REEL	2.00KG/BOX

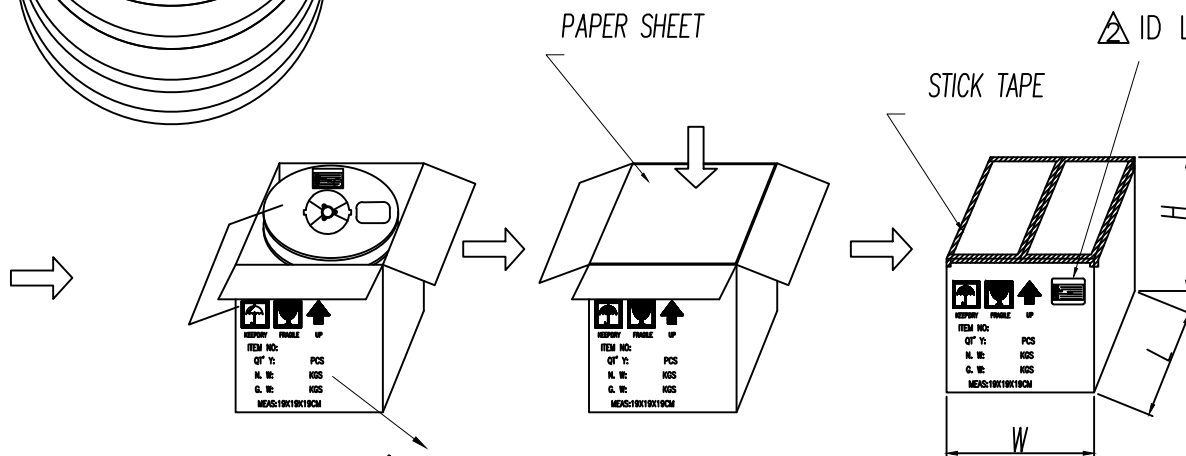
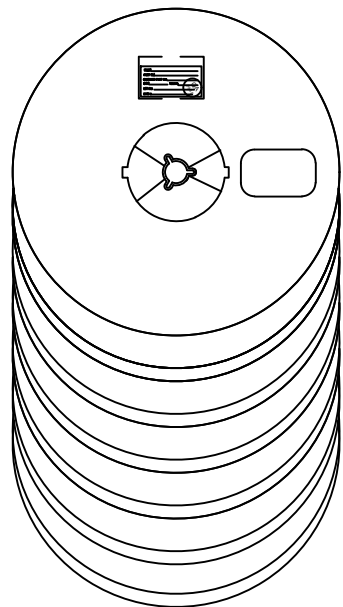


繪圖 DRAWN	規格 DESCRIPTION	日期 DATE	GENERAL TOLERANCE		繪圖 DRAWING	EMMA		料號 PART NO.	BX-RF3-1.5Z0.6H	版 REV.	A
			X.±0.20	X.±3'	審核 CHECK	EVA		品名 TITLE	MICRO RF IV BOARD SMT TYPE PACKING DWG	頁次 SHEET	1/1
			.X±0.10	.X±2'	核准 APPROVAL	JADE		零件號 CUTM.NO.			
			.XX±0.05	.XX±1'	單位 UNITS	MM	比例 SCALE	1:1			



NAME: \_\_\_\_\_  
 PART No: \_\_\_\_\_  
 CUSTOMER PART No: \_\_\_\_\_  
 Q'TY: \_\_\_\_\_ WEIGHT: \_\_\_\_\_  
 LOT No: \_\_\_\_\_  
 DATE: \_\_\_\_\_

ID LABEL



QT' Y: 30,000 PCS  
 N. W: 0.077 KGS  
 G. W: 1.033 KGS  
 MEAS: 19X19X19CM

繪圖 DRAWN	說明 DESCRIPTION	日期 DATE	GENERAL TOLERANCE		繪圖 DRAWING	EMMA	料號 PART NO.	BX-RF3-1.5Z0.6H	版次 REV.	A
			X±0.20	X'±3'	審核 CHECK	EVA	品名 TITLE	MICRO RF IV BOARD SMT TYPE PACKING DWG	頁次 SHEET	1/1
			.X±0.10	.X'±2'	核准 APPROVAL	JADE	零件號 CUTM.NO.			
			.XX±0.05	.XX'±1'	單位 UNITS	MM	比例 SCALE	1:1		