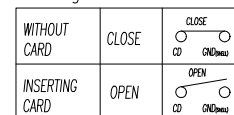


PAD AREA
 KEEP OUT AREA
RECOMMENDED PCB LAYOUT
 GENERAL TOLERANCE ±0.05

Circuit Diagram for Detect Switch



MATERIAL:

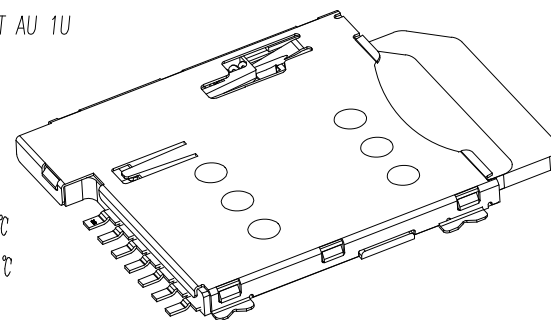
INSULATOR: HIGH TEMPERATURE THERMOPLASTIC, UL 94V-0
 CONTACT: COPPER ALLOY
 SHELL: SUS

PLATING:

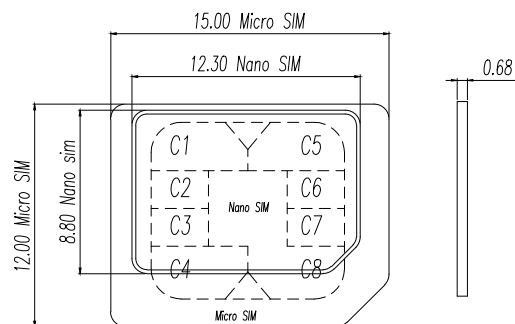
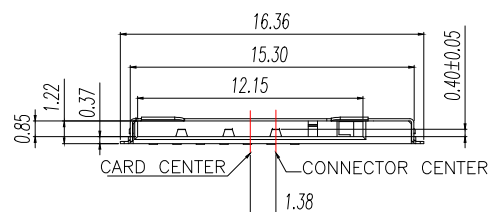
CONTACT: PLATED 50U" NI OVER ALL CONTACT AU 1U
 SHELL: PLATED 50U" NI OVERALL
 PLATED 1U" AU SELECTIVE CONTACT AREA

ELECTRICAL:

CURRENT RATING: 0.5AMPS MAX
 VOLTAGE RATING: 5V AC/DC
 AMBIENT TEMPERATURE RANGE: -40℃ ~ +85℃
 STORAGE TEMPERATURE RANGE: -40℃ ~ +85℃
 AMBIENT HUMIDITY RANGE: 95% R.H. MAX.
 CONTACT RESISTANCE: 100M MAX.Ω
 INSULATION RESISTANCE: 1000M MIN./500VDCΩ
 REFLOW PEAK TEMP: 260℃
 MATING CYCLES: 5000MIN INSERTIONS

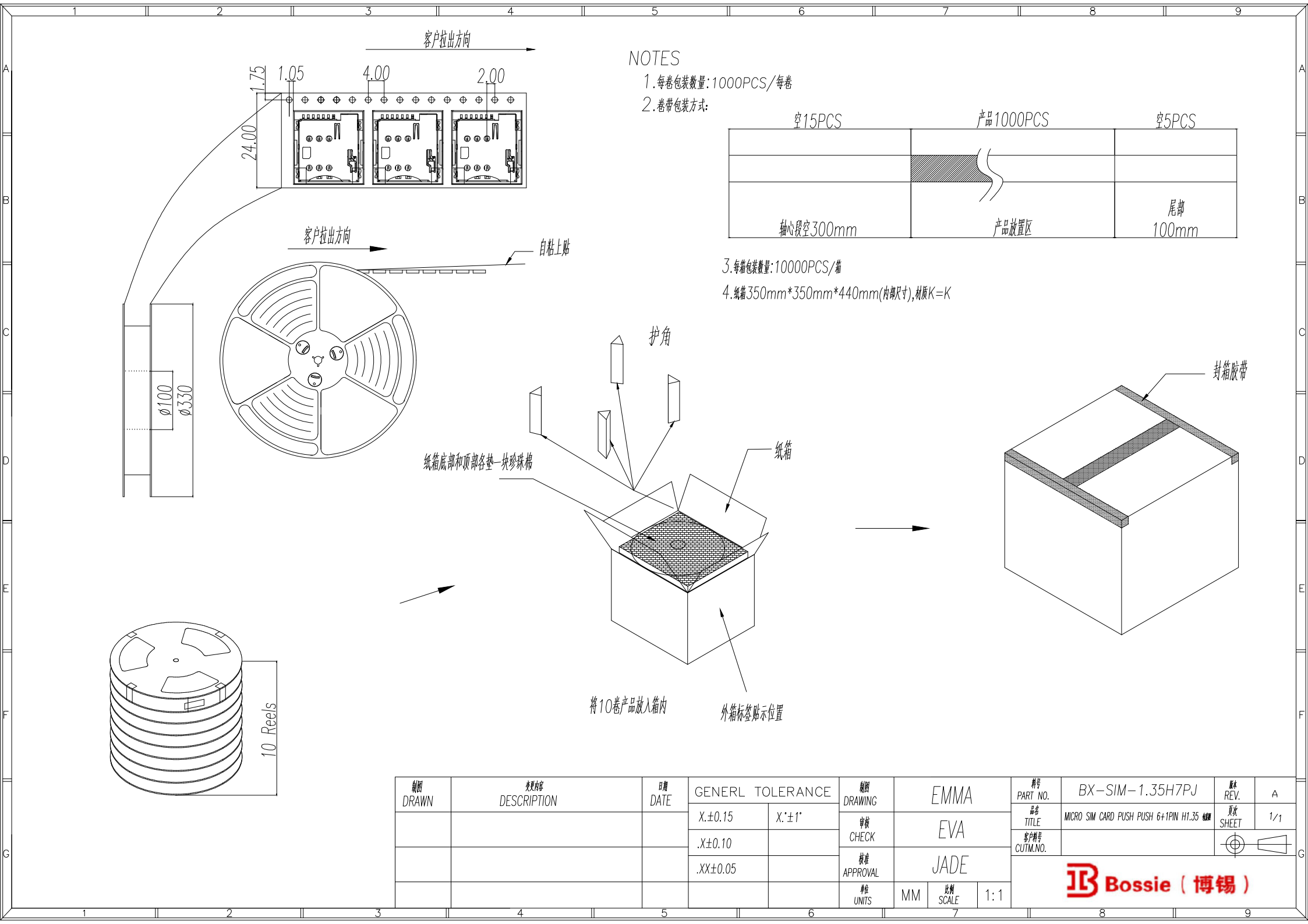


MICRO SIM CARD	
Pin No.	NAME
C1	VCC OF SIM
C2	RST OF SIM
C3	CLK OF SIM
C5	GND OF SIM
C6	VPP OF SIM
C7	I/O OF SIM
C4/C8	N/A
CD	DETECTION SWITCH



制图 DRAWN	变更内容 DESCRIPTION	日期 DATE	GENERAL TOLERANCE		制图 DRAWING	EMMA	料号 PART NO.	BX-SIM-1.35H7PJ	版本 REV.	A
			X±0.15	X:±1						
			.X±0.10		审核 CHECK	EVA	品名 TITLE	MICRO SIM CARD PUSH PUSH 6+1PIN H1.35	页次 SHEET	1/1
			.XX±0.05		批准 APPROVAL	JADE	客户料号 CUTM.NO.			
					单位 UNITS	MM	比例 SCALE	1:1		





制图 DRAWN	变更内容 DESCRIPTION	日期 DATE	GENERAL TOLERANCE		制图 DRAWING	EMMA	料号 PART NO.	BX-SIM-1.35H7PJ	版本 REV.	A
			X.±0.15	X.*±1*						
			.X±0.10		审核 CHECK	EVA	品名 TITLE	MICRO SIM CARD PUSH PUSH 6+1PIN H1.35 6PIN	页次 SHEET	1/1
			.XX±0.05		批准 APPROVAL	JADE	客户料号 CUTM.NO.			
					单位 UNITS	MM	比例 SCALE	1:1		

