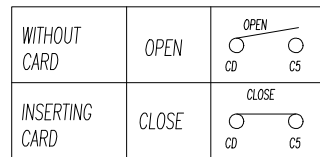


PAD AREA
 KEEP OUT AREA
 RECOMMENDED PCB LAYOUT
 GENERAL TOLERANCE ±0.05

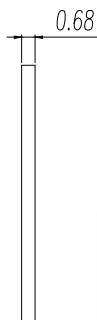
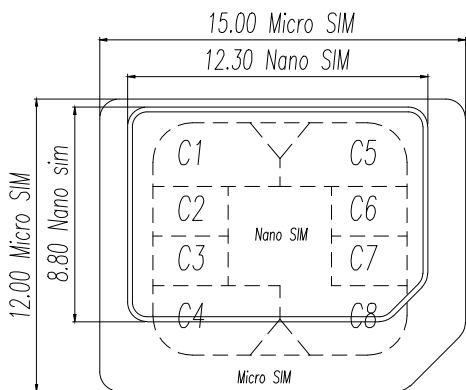
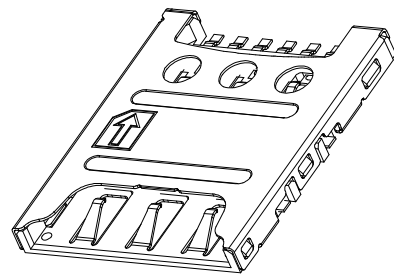
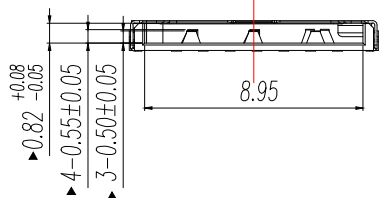
Circuit Diagram for Detect Switch



NANO SIM CARD	
Pin No.	NAME
C1	VCC OF SIM
C2	RST OF SIM
C3	CLK OF SIM
C5	GND OF SIM
C6	VPP OF SIM
C7	I/O OF SIM
C4/C8	N/A
CD	DETECTION SWITCH

NOTES:

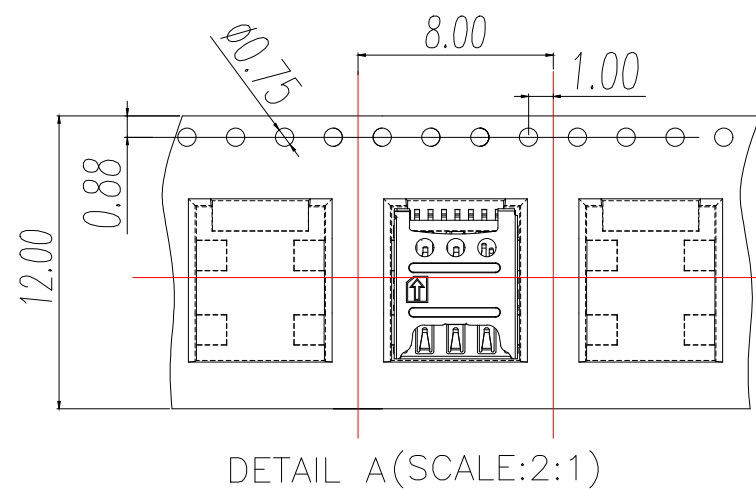
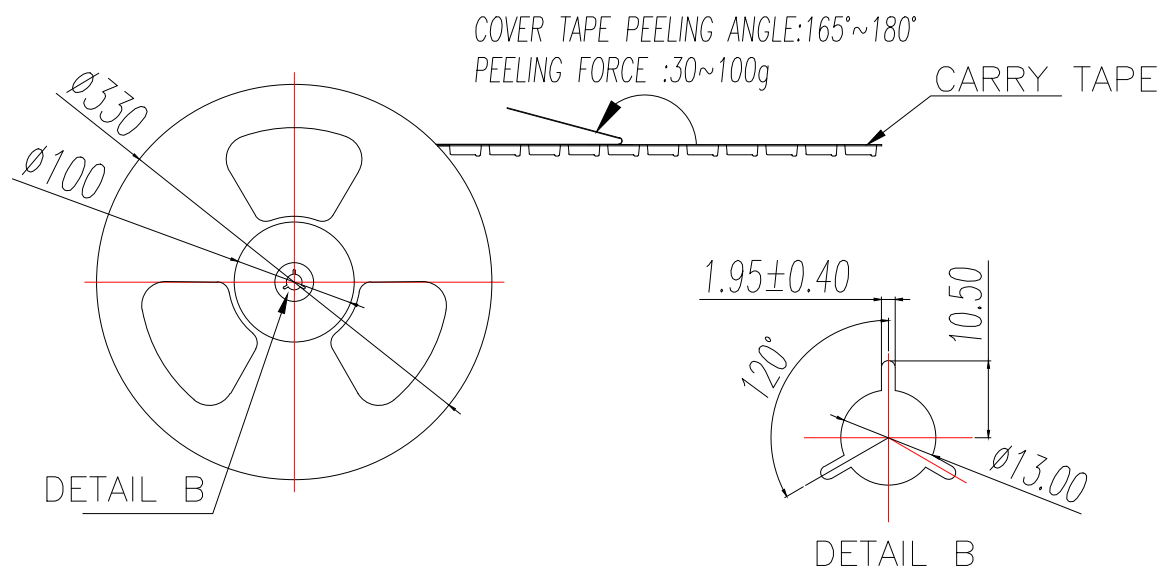
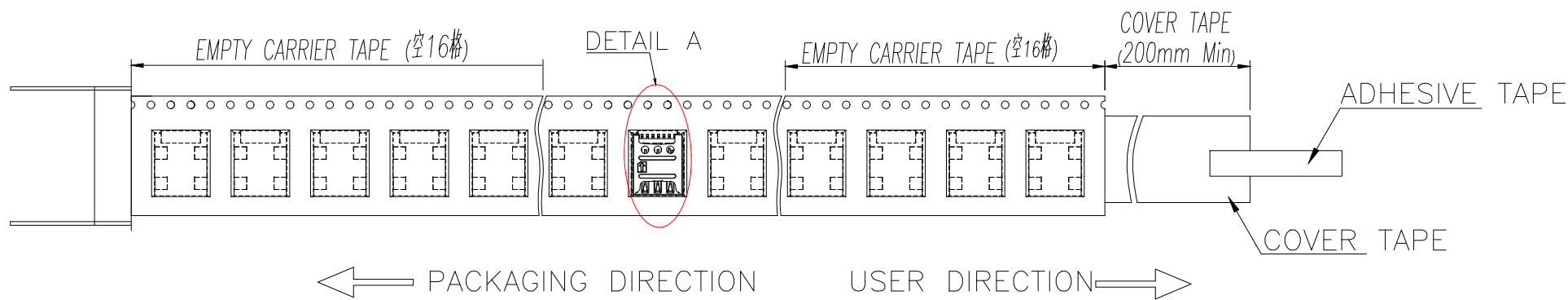
- Material :
 - LATCH : SUS304R-H,T=0.10mm
 - Contact: C5210R-SH,T=0.10mm
 - Housing : LCP UL 94V-0, Color Black.
- Finish: See Remark
- Marked ▲ : Critical Dimensions.
- All Contact Coplanarity Must Be Checked One By One.



③	SHELL	半金镍, 1U"Au Min.	1
②	CONTACT	半金镍, 1U"Au Min.	1
①	HOUSING	LCP S475	1
ITEM	NAME	FINISH	QUANTITY/EACH

制图 DRAWN	变更内容 DESCRIPTION	日期 DATE	GENERAL TOLERANCE		审核 CHECK	EMMA	料号 PART NO.	BX-SMN-1.25H7PJ	版本 REV.	页次 SHEET	A
			X±0.25	X'±2"							
			.X±0.10	.X'±1"		EVA	品名 TITLE	1.25H 7PIN NANO SIM CARD CONN.		1/1	
			.XX±0.15			JADE	客户料号 CUTIM.NO.				
					批准 APPROVAL						
					单位 UNITS	MM	比例 SCALE	1:1			

Bossie (博锡)



1	BX-SMN-1.25H7PJ	2200	12	26400	340X340X352
ITEM	PRODUCT NO.	QTY/REEL	REEL/CARTON	QTY/CARTON	CARTON SIZE

制图 DRAWN	变更内容 DESCRIPTION	日期 DATE	GENERAL TOLERANCE		制图 DRAWING	EMMA	料号 PART NO.	BX-SMN-1.25H7PJ	版本 REV.	A
			X.±0.25	X.±2°						
			.X±0.10	.X±1°	审核 CHECK	EVA	品名 TITLE	1.25H 7PIN NANO SIM CARD CONN. 封装	页次 SHEET	1/1
			.XX±0.15		核准 APPROVAL	JADE	客户料号 CUTM.NO.			
					单位 UNITS	MM	比例 SCALE	1:1	Bossie (博锡)	