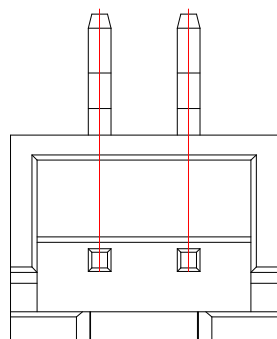
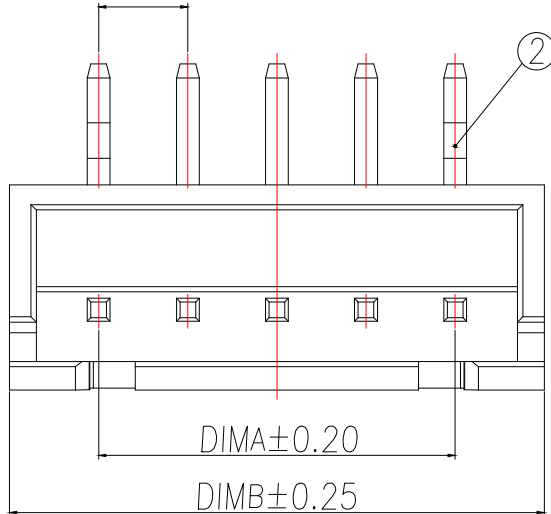
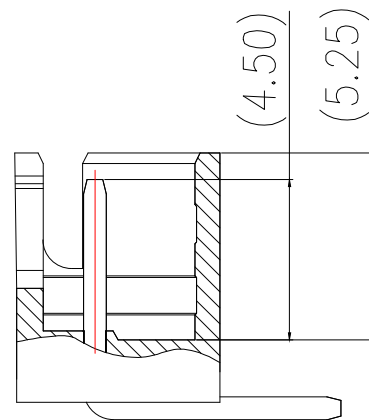


2.50±0.15(PITCH)



2 Pin样式



SECTION A-A

Technical Index:

1. Temperature range: -25°C~85°C.

2. Rated voltage: 250V

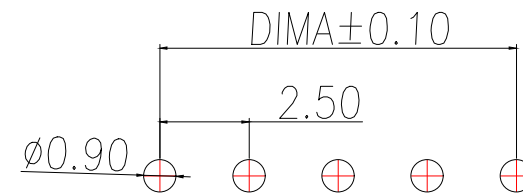
DC/AC(rms).

3. Rated current: 3.0A.

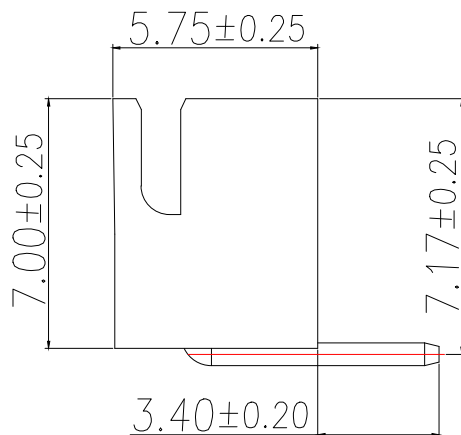
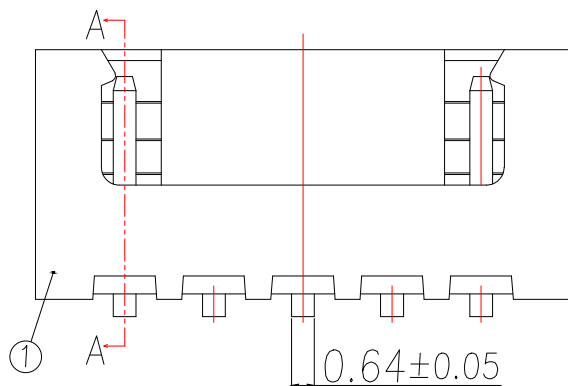
4. Contact resistance: ≤20mΩ.

5. Withstanding voltage: 1000V AC/minute.

6. Insulation resistance: ≥1000MΩ.



适用线路板(PCB LAYOUT)



Part No	Pin	A	B
BX-XH2.54-2PWZ-R	2	2.5	7.5
BX-XH2.54-3PWZ-R	3	5.0	10.0
BX-XH2.54-4PWZ-R	4	7.5	12.5
BX-XH2.54-5PWZ-R	5	10.0	15.0
BX-XH2.54-6PWZ-R	6	12.5	17.5
BX-XH2.54-7PWZ-R	7	15.0	20.0
BX-XH2.54-8PWZ-R	8	17.5	22.5
BX-XH2.54-9PWZ-R	9	20.0	25.0
BX-XH2.54-10PWZ-R	10	22.5	27.5
BX-XH2.54-11PWZ-R	11	25.0	30.0
BX-XH2.54-12PWZ-R	12	27.5	32.5
BX-XH2.54-13PWZ-R	13	30.0	35.0
BX-XH2.54-14PWZ-R	14	32.5	37.5
BX-XH2.54-15PWZ-R	15	35.0	40.0
BX-XH2.54-16PWZ-R	16	37.5	42.5

序号	品名	材质	制图 DRAWN	变更内容 DESCRIPTION	日期 DATE	GENERAL TOLERANCE		制图 DRAWING	EMMA	料号 PART NO.	BX-XH2.54-NPWZ-R	版本 REV.	A
						X.±0.50	X'.:±5°						
1	XH2.5 胶芯	PA66 UL94V-2 Red				.X±0.20	X.X':±3°	核准 APPROVAL	JADE	客户料号 CUTM.NO.			
2	XH2.5 弯针 端子	Copper Alloy/ Tin Plating				.XX±0.10	X.XX':±1°	单位 UNITS	MM	比例 SCALE	1:1		