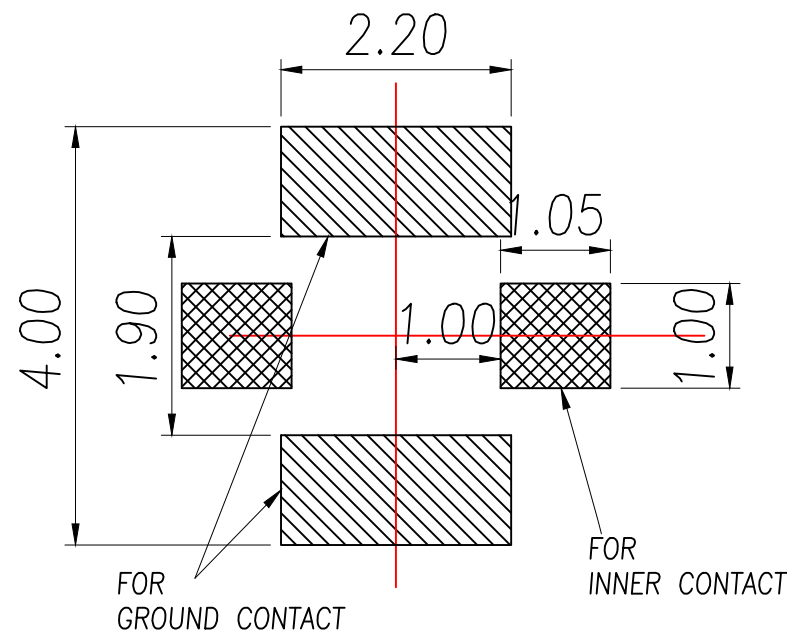


NOTE:1

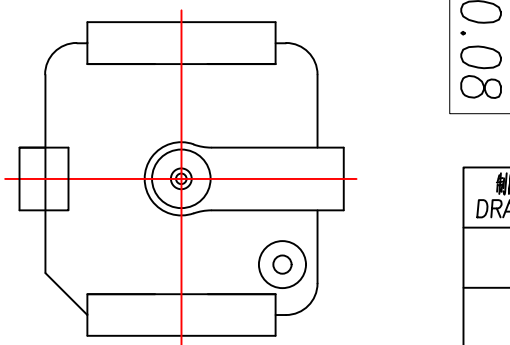
1. ELECTRICAL CHARACTERISTICS:
 - 1.1 CURRENT RATING: 0.5A MAX.
 - 1.2 IMPEDANCE:500HM NOMINAL.
2. MECHANICAL CHARACTERISTICS:
 - 2.1 OPERATING TEMP. -40°~90°
 - 2.2 VEW R UP TO 3GHz:1.3MAX.
3GHz TO 6GHz:1.4MAX.
 - 2.3 DURABILITY:30CYCLES

NOTE:2

- 1.HOUSING MATERIAL: LCP, NATURE, UL94V-0.
- 2.TERMINAL MATERIAL: COPPER ALLOY (C2680),
- 3.SHELL MATERIAL: COPPER ALLOY (C5191),



RECOMMENDED PCB LAYOUT
GENERAL TOLERANCE ±0.05



制图 DRAWN	变更内容 DESCRIPTION	日期 DATE	GENERAL TOLERANCE		制图 DRAWING	料号 PART NO.	版本 REV.	图次 SHEET	
			X.±0.25	X.±5°	EMMA	BX-RF1-2Z1.25H	A	1/1	
			.X±0.25	.X°±3°	EVA	RF BOARD END CONNECTOR, FIRST GENERATION			
				.XX°±1°	JADE				
					单位 UNITS	MM	比例 SCALE	1:1	

B Bossie (博锡)