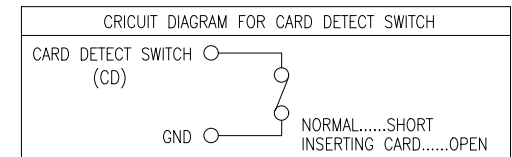


RECOMMENDED PCB LAYOUT
GENERAL TOLERANCE ± 0.05

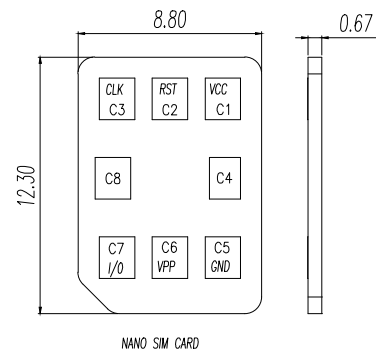
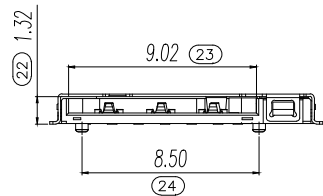
PAD
 KEEP OUT AREA



NOTES:

- 1) MATERIAL:
HOUSING: HI-TEMP. PLASIC UL 94V-0
CONTACT: COPPER ALLOY
SHELL: STAINLESS STEEL
- 2) PLATING :
TERMINAL:
CONTACT AREA: Au GOLD FLASH.
SOLDER AREA: AU GOLD FLASH.
UNDER PLATE: NICKEL.
SHELL: NICKEL PLATED OVER ALL.
SOLDER AREA: GOLD FLASH.
3. SPECIALITY:
3.1 Rated current: 1.0A
3.2 Rated voltage: 30V
3.3 Contact Resistance: $50m\Omega$ MAX
3.4 Insulation Resistance: $1000M\Omega$ MIN 500V DC
3.5 Dielectric withstanding voltage: 500V AC.
3.6 Solder ability: $260\pm 0/-5s$ $30\pm 10s$.
3.7 Durability: 5000 Cycles Min.
3.8 Operating condition: Temperature $-40\sim +85\%$
Humidity 80% R.H MAX

SIM pin Assignment	
PIN#	Name
C1	VCC
C2	RST
C3	CLK
C5	GND
C6	VPP
C7	I/O

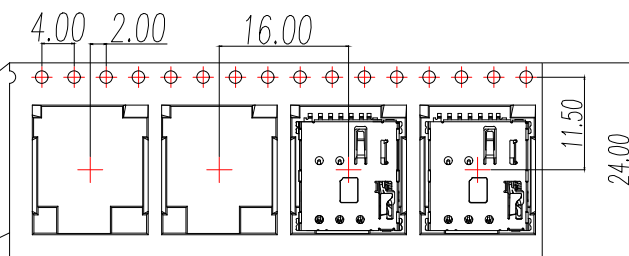


制图 DRAWN	变更内容 DESCRIPTION	日期 DATE	GENERAL TOLERANCE		制图 DRAWING	EMMA
			X ± 0.35	X $\pm 2^{\circ}$		
			.X ± 0.15	.X $\pm 1^{\circ}$	审核 CHECK	EVA
			.XX ± 0.10	.XX $\pm 0.5^{\circ}$	核准 APPROVAL	JADE
					单位 UNITS	MM
					比例 SCALE	1:1

料号 PART NO.	规格 REV.	页次 SHEET
BX-SMN-1.37HJ-Z	A	1/1
品名 TITLE	NANO SIM CARD 1.37H PUSH PUSH 插	
客户料号 CUTM.NO.		

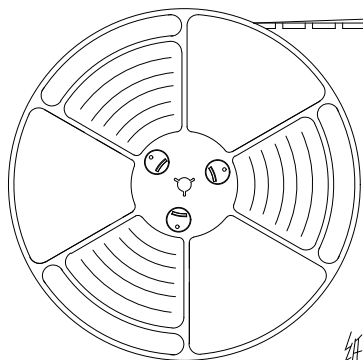
Bossie (博锡)

客户拉出方向

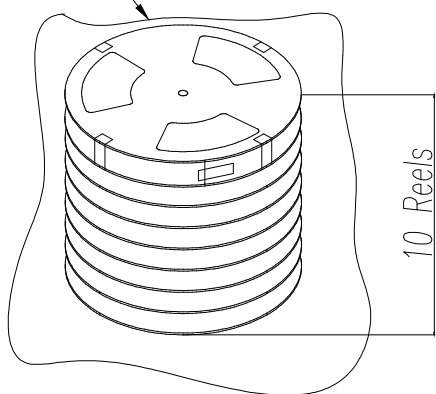


客户拉出方向

自粘上贴



PE袋

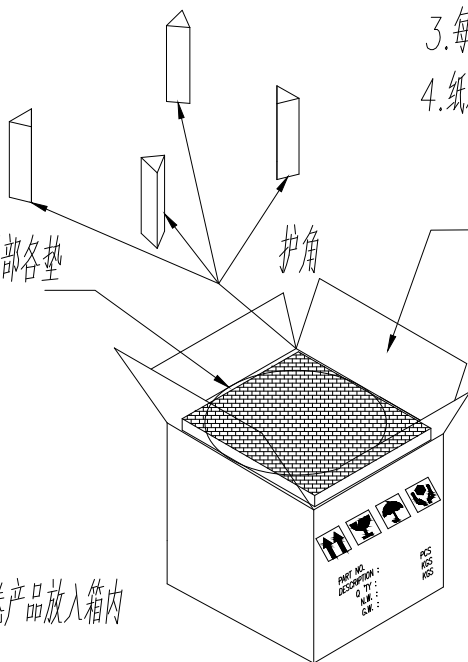


纸箱底部和顶部各垫一块珍珠棉

护角

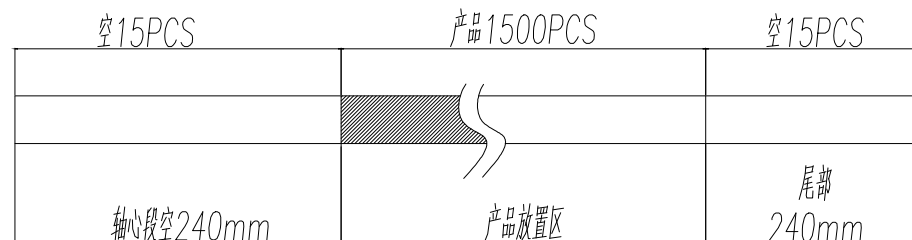
纸箱

将10卷产品放入箱内



NOTES

1. 每卷包装数量: 1500PCS/每卷
2. 卷带包装方式:



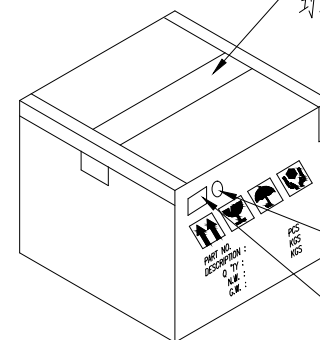
3. 每箱包装数量: 15000PCS/箱
4. 纸箱350mm*350mm*340mm(内部尺寸), 材质K=K

封箱胶带”工”字形封好

绿色环保标签

RoHS

产品标签贴在纸箱左上角



制图 DRAWN	变更内容 DESCRIPTION	日期 DATE	GENERAL TOLERANCE		制图 DRAWING	料号 PART NO.	版本 REV.
			X.±0.35	X."±2"	EMMA	BX-SMN-1.37HJ-Z	A
			.X±0.15	.X"±1"	审核 CHECK	EVA	页次 SHEET
			.XX±0.10	.XX"±0.5"	批准 APPROVAL	JADE	1/1
					单位 UNITS	MM	比例 SCALE
						1:1	