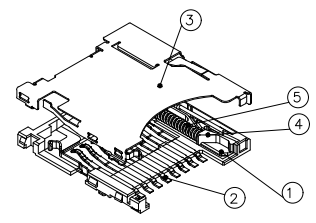
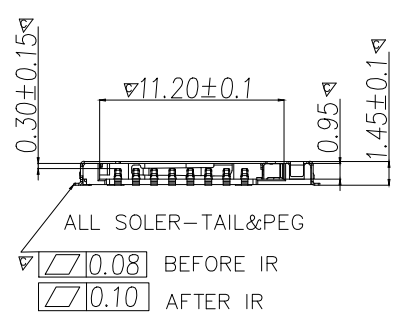


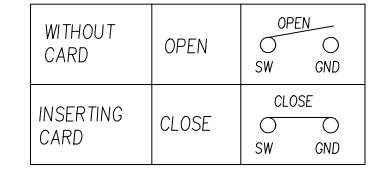
THERE IS NO APPLY THE LAND ON THIS AREA BY THE CASE



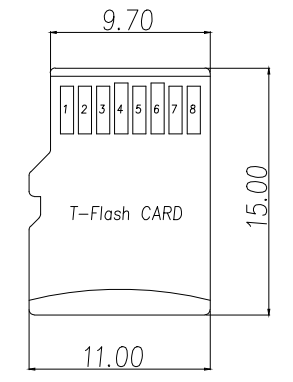
- *NOTES:
1.COPLANARTY SPEC. FOR ALL SOLDER TAILS AND SOLDER PADS IS 0.1MM MAX.
2.ELECTRICAL CHARACTERISTICS:
2-1. CURRENT RATING: 0.5 AMP. MAX.
2-2. VOLTAGE: 100V DC. MAX.
2-3. LOW LEVEL CONTACT RESISTANCE: 100 MOHMS MAX. INITIALLY.
2-4. DIELECTRIC WITHSTANDING VOLTAGE: 500V AC MIN. FOR 1 MINUTE.
2-5. INSULATION RESISTANCE: (INITIAL) 1000MOHMS MIN.(FINAL) 100MOHMS MIN.
BY APPLYING 500V DC ON MATED AND UNMATED CONNECTORS THROUGH MIL-STD-202, METHOD 302.
3.MECHANICAL CHARACTERISTICS:
3-1. DURABILITY: 5000 CYCLES.
3-2. OPERATING TEMP. RANGE: -25°C TO 85°C. [INCLUDING TERMINAL TEMP. RISE]
3-3. STORAGE TEMP: -40°C TO 85°C.
4.DIMENSIONS MARKED AREA MAJOR CHECKED DIMENSIONS.
5.HARMFUL MATERIAL CONTROL PLEASE FOLLOW DOC. NO. "EPI12".
6.QUANTITY OF PRODUCTS: 1500PCS/REEL

- PROHIBITED AREA
 - ▨ PATTERN PROHIBITED AREA
 - ▩ SOLDERPROHIBITED AREA
- RECOMMENDED PCB LAYOUT
GENERAL TOLERANCE ±0.05

Circuit Diagram for Detect Switch



TF CARD PIN DEFINE			
PIN NO.	NAME	YYPE	DESCRIPTION
1	DA12	I/O/PP	DATE LINE(BIT2)
2	CD/DAT3	I/O/PP	CARD DETECT DATE LIN(BIT3)
3	CMD	PP	COMMAND RESPONSE
4	VDD	S	SUPPLY VOLTAGE
5	CLX	I	CLOCK
6	VSS	S	SUPPLY VOLTAGE GROUND
7	DATO	I/O/PP	DATE LINE(BIT0)
8	DAT1	I/O/PP	DATE LINE(DIT1)

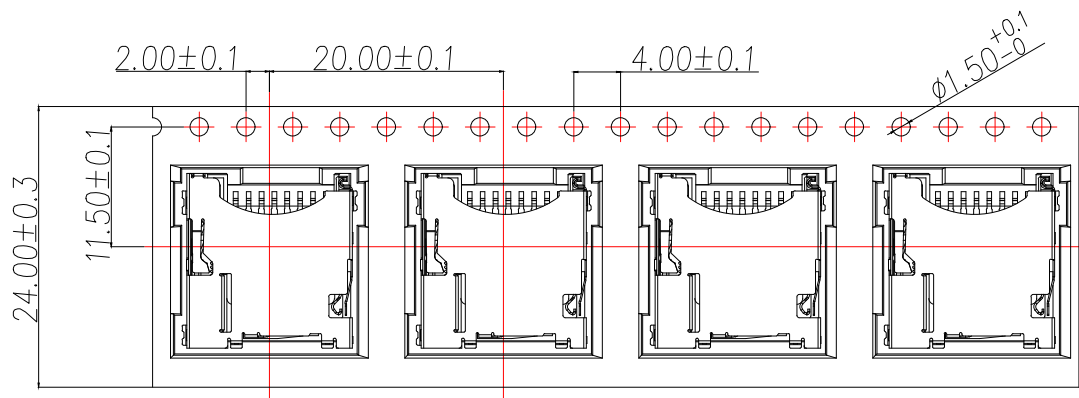


ITEM	DESCRIPTION	MATERIAL	FINISH	Q'TY
⑤	SPRING	SUS	NO PLATING	1
④	SLIDE	LCP	GLASS FILLED(OR EQUAL), UL 94V-0, BLACK	1
③	SHELL	SUS301-H T=0.10	GOLD FLASH PLATED ON SOLDER TAIL AREA. NICKEL 30~100u" UNDER PLATED OVER ALL	1
②	TERMINAL	COPPER ALLOY	GOLD PLATED ON CONTACT AREA"A" SEE "PLATED CODE NOTE" GOLD FLASH PLATED ON CONTACT AREA"B" AND SOLDER TAIL AREA NICKEL 50~150u" UNDER PLATED OVER ALL	1
①	HOUSING	LCP	GLASS FILLED(OR EQUAL), UL 94V-0, BLACK	1

制图 DRAWN	变更内容 DESCRIPTION	日期 DATE	GENERAL TOLERANCE		制图 DRAWING	EMMA	料号 PART NO.	BX-TF-1.4HJ	版本 REV.	A
			X.±0.50	X.*±2°						
			.X±0.20	.X*±1°	核准 APPROVAL	JADE	客户料号 CUTM.NO.			
			.XX±0.10		单位 UNITS	MM	比例 SCALE	1:1		

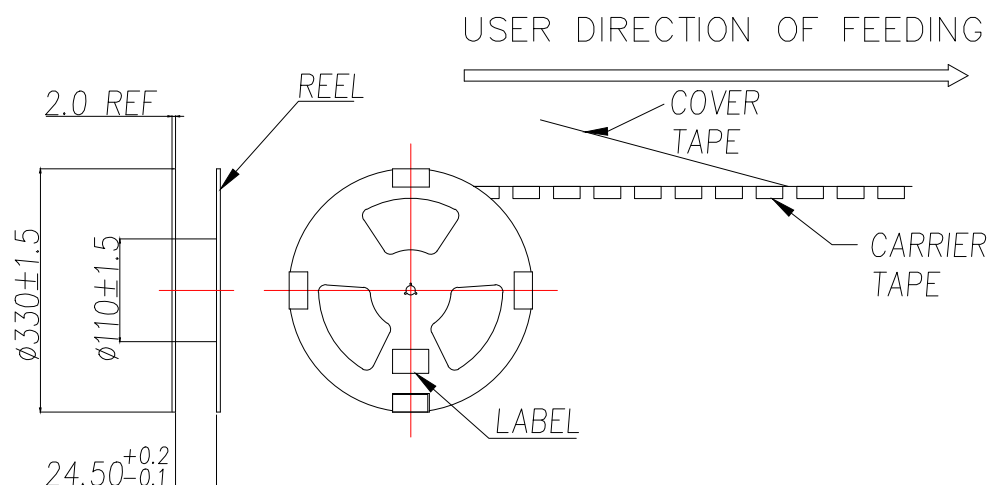
BOSSIE (博锡)

← PRODUCT PACKAGING DIRECTION
 CUSTOMER TO USE DIRECTION →



产品料号	一盘产品数量	卷盘数量(N)	一箱产品数量
CONN. PART NO.	CONN. QTY./REEL	REEL QTY./CARTON	CONN. QTY./CARTON
BX-TF-1.4HJ	1500	8	12000 PCS

END EMPTY LENGTH (20PCS)	PRODUCT AREA 1500 PCS	100mm Min. FRONT EMPTY LENGTH	250mm Min. COVER TAPE
-----------------------------	--------------------------	----------------------------------	--------------------------



1. 材料(Material): PET, THICKNESS: 0.35 ± 0.05 mm, COLOUR: TRANSPARENT
2. 产品/卷盘/数量表(PRODUCT/REEL/QTY TABLE)
3. 包装ESD要求: $10^4 \sim 10^9 \Omega$ (包括载带, 盖带, 卷盘)

制图 DRAWN	变更内容 DESCRIPTION	日期 DATE	GENERAL TOLERANCE		制图 DRAWING	料号 PART NO.	BX-TF-1.4HJ	版本 REV.	A
			X.±0.50	X.*±2°	审核 CHECK	品名 TITLE	1.45MM PUSH MICRO SD CARD CONN.(OPEN)	页次 SHEET	1/1
			.X±0.20	.X*±1°	核准 APPROVAL	客户料号 CUTM.NO.			
			.XX±0.10		单位 UNITS	MM		比例 SCALE	1:1
						Bossie (博锡)			