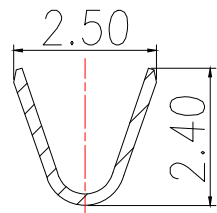
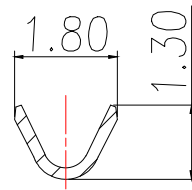


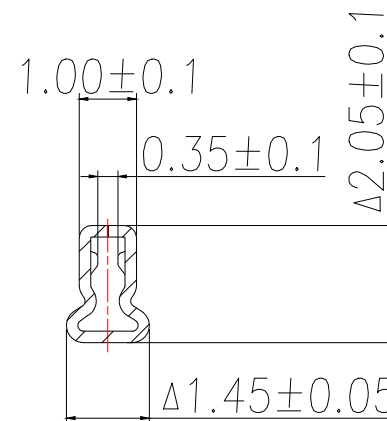
料带图 比例:1:2



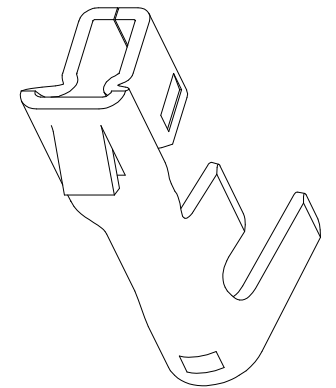
SECTION A-A



SECTION B-B



SECTION C-C



技术要求Specification:

1、材质:磷青铜,表面镀锡

Material:Phos.Bronze Tin-Plated

2、适用线规Applicable wire:AWG#30-#24;

3、零件外观不得有有害毛刺、尖角、锐边和机械损伤;表面镀层应均匀、光亮、无雾斑、剥层等缺陷;

Parts may not have the appearance of harmful burrs,sharp corners,sharp edges and mechanical damage,surface coatings should be uniform, bright,no fog spots,delamination and other defects.

制图 DRAWN	变更内容 DESCRIPTION	日期 DATE	GENERAL TOLERANCE		制图 DRAWING	EMMA	料号 PART NO.	BX-PH2.0-DZ	版本 REV.	A
			X.±0.30	X.*±1*	审核 CHECK	EVA	品名 TITLE	PH2.0MM TERMINAL	页次 SHEET	1/1
			.X±0.20		核准 APPROVAL	JADE	客户料号 CUTM.NO.			
			.XX±0.10		单位 UNITS	MM	比例 SCALE	1:1		