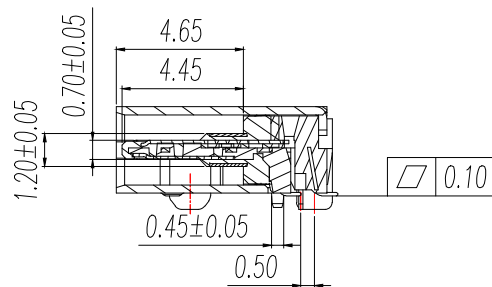
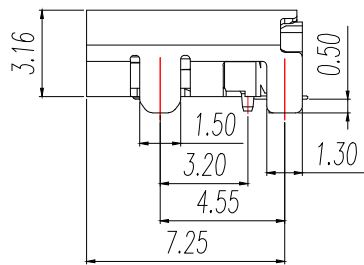
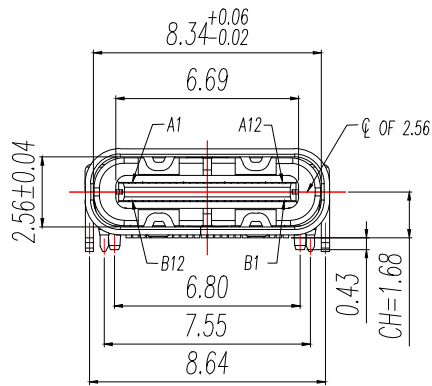
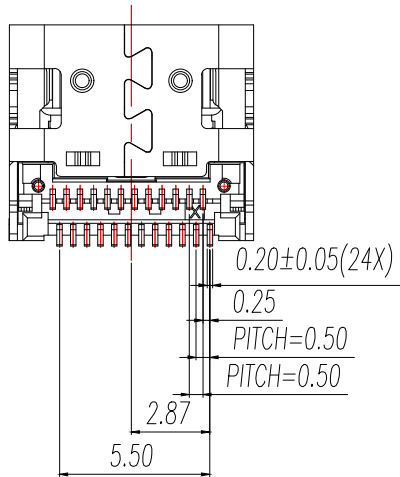


NOTE:

- 1.MATERIAL SPECIFICATION:
  - 1.HOUSING:HIGH TEMPERATURE RESISTANT PLASTIC,UL94 V-0.
  - 2.CONTACTS:COPPER ALLOY
  - 3.MID PLATE: STAINLESS STEEL
  - 4.FRONT SHELL: STAINLESS STEEL
  - 5.EMI PLATE: STAINLESS STEEL
- 2.PLATING SPECIFICATION:
  - 2-1.CONTACTS:
    - Ni 50u" MIN. UNDER PLATED OVER ALL.
    - Au PLATED ON THE FUNCTIONAL AREA OF CONTACT.
    - CONTACT FUNCTIONAL AREA PLATED : Au G/F
    - CONTACT SOLDER AREA PLATED : Au G/F
  - 2-2.FRONT SHELL:
    - Ni 30u" MIN. UNDER PLATED OVER ALL.
  - 2-3.MID PLATE:
    - Ni 30u" MIN. UNDER PLATED OVER ALL.
    - Sn 80u"MIN. PLATED OVER ALL
  - 2-4.EMI PLATE:
    - CLEAR ONLY
- 3.MECHANICAL PERFORMANCE,
  - 3-1.INSERTION FORCE: 0.5~2.0kgf.
  - 3-2.REMOVAL FORCE: 0.8kgf~2.0kgf.
  - 3-3.DURABILITY: 10000 CYCLES.
- 4.ELECTRICAL PERFORMANCE,
  - 4-1. CURRENT RATING:5.0A  
VOLTAGE RATING:30V
  - 4-2. LLCR:
    - VBUS & GND PINS AND OTHER PINS: 40mA/PIN MAX.
    - SHIELD: 50mA/MAX.
    - LLCR MAX. CHANGE OF ALL PINS: 10mA.
  - 4-3.INSULATION RESISTANCE: 100MΩ MIN
  - 4-4.DIELECTRIC WITHSTAND VOLTAGE,AC 100V FOR 1 MINUTE.
5. ENVIRONMENTAL PERFORMANCE:
  - OPERATING TEMPERATURE: -40°C~+85°C.
- 6.IR REFLOW:
  - THE PEAK TEMPERATURE ON THE BOARD SHALL BE MAINTAINED FOR 10 SECONDS AT 260°C.

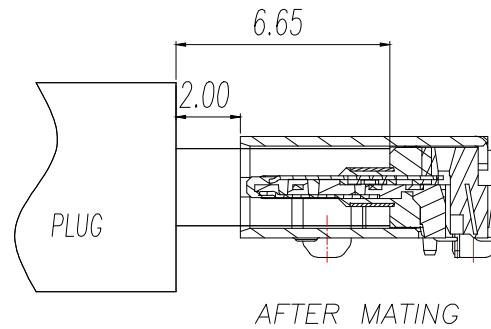


SECTION:A-A



制图 DRAWN	变更内容 DESCRIPTION	日期 DATE	GENERAL TOLERANCE		制图 DRAWING	EMMA	料号 PART NO.	BX-TYPE-C-MWT24P-7.9	版本 REV.	A
			X.±0.30	X.*±10'						
			.X±0.20	.X*±8'	审核 CHECK	EVA	品名 TITLE	USB CF 24PIN SMT TYPE TOP MOUNT WITH POST	页次 SHEET	1/1
			.XX±0.10	.XX*±5'	核准 APPROVAL	JADE	客户料号 CUTM.NO.			
					单位 UNITS	MM	比例 SCALE	1:1		

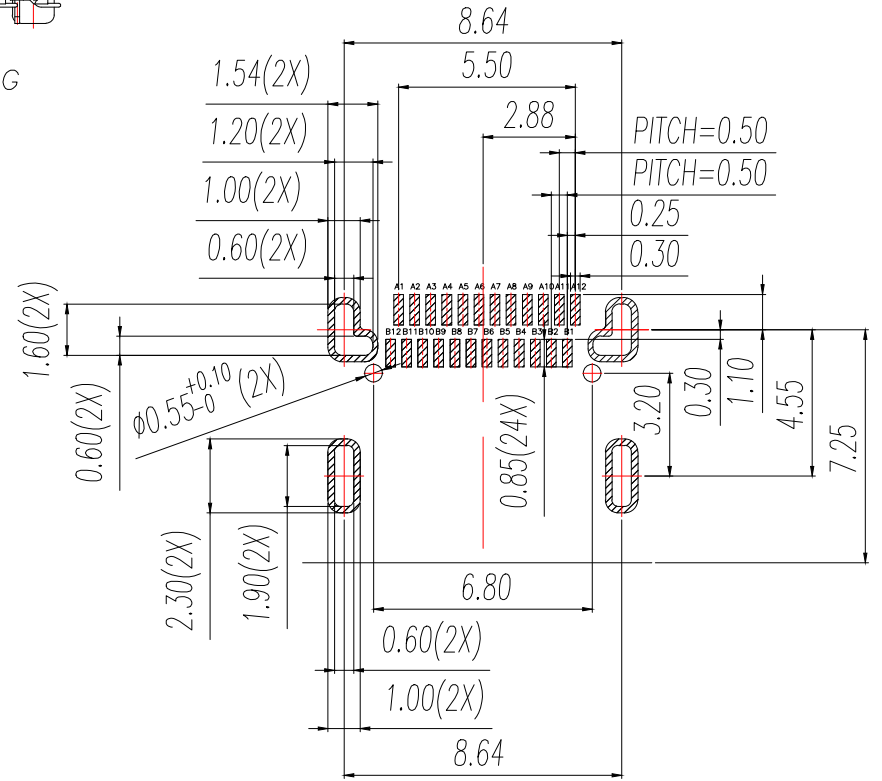




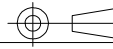

USB TYPE-C PIN ASSIGNMENTS

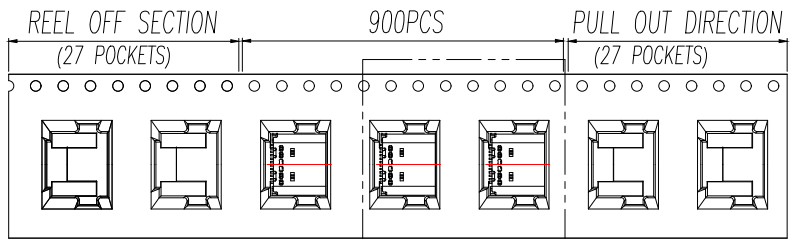
PIN NUMBER	SIGNAL NAME
A1	GND
A2	SSTXp1
A3	SSTXn1
A4	VBUS
A5	CC1
A6	Dp1
A7	Dn1
A8	SBU1
A9	VBUS
A10	SSRXn2
A11	SSRXp2
A12	GND

PIN NUMBER	SIGNAL NAME
B12	GND
B11	SSRXp1
B10	SSRXn1
B9	VBUS
B8	SBU2
B7	Dn2
B6	Dp2
B5	CC2
B4	VBUS
B3	SSTXn2
B2	SSTXp2
B1	GND

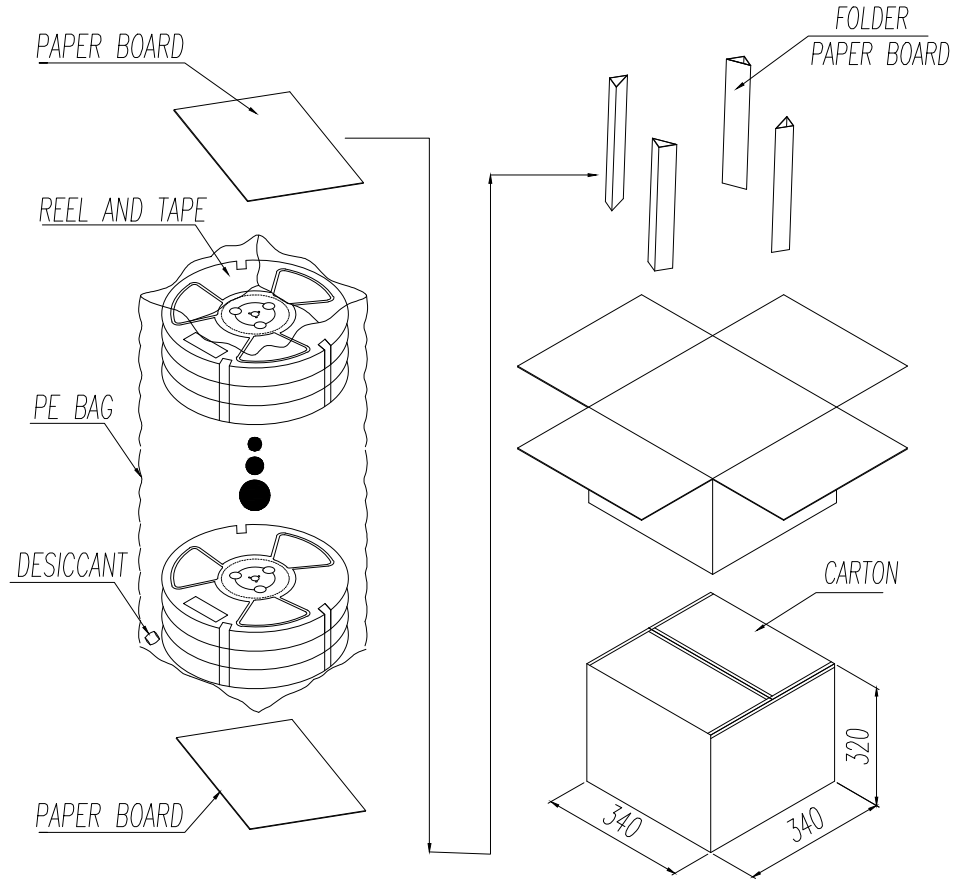
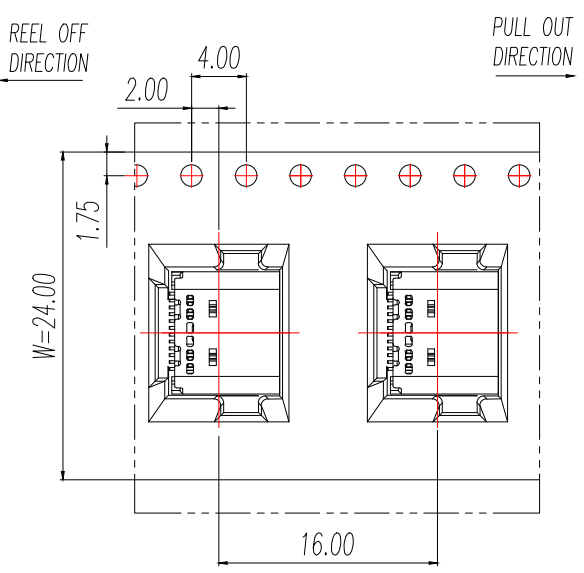
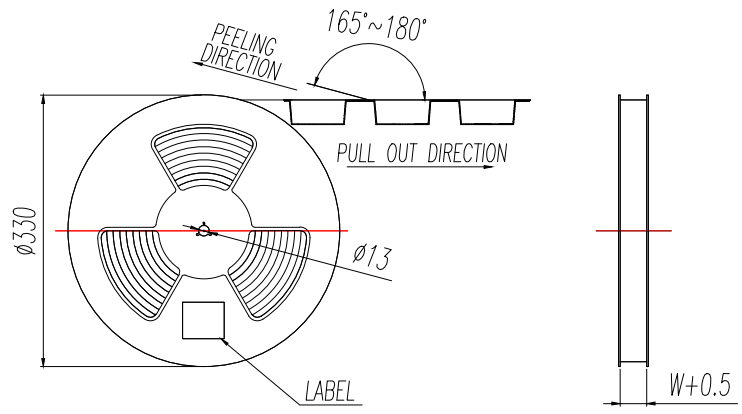


RECOMMENDED PCB LAYOUT(TOP VIEW)  
THICKNESS 0.60MM;DEFAULT TOLERANCE:±0.05

制图 DRAWN	变更内容 DESCRIPTION	日期 DATE	GENERAL TOLERANCE		制图 DRAWING	EMMA	料号 PART NO.	BX-TYPE-C-MWT24P-7.9	版本 REV.	A
			X.±0.30	X.*±10'						
.X±0.20	.X*±8'	批准 APPROVAL	JADE	客户料号 CUTM.NO.						
.XX±0.10	.XX*±5'					单位 UNITS	MM	比例 SCALE	1:1	 <b>Bossie (博锡)</b>



SEE DETAIL X



	REEL	CARTON
CONNECTOR (PCS)	900	9000

制图 DRAWN	变更内容 DESCRIPTION	日期 DATE	GENERAL TOLERANCE		制图 DRAWING	EMMA	料号 PART NO.	BX-TYPE-C-MWT24P-7.9	版本 REV.	A
			X.±0.30	X.*±10'						
.X±0.20	.X*±8'	核准 APPROVAL	JADE	客户料号 CUTM.NO.						
.XX±0.10	.XX*±5'					单位 UNITS	MM	比例 SCALE	1:1	Bossie (博锡)