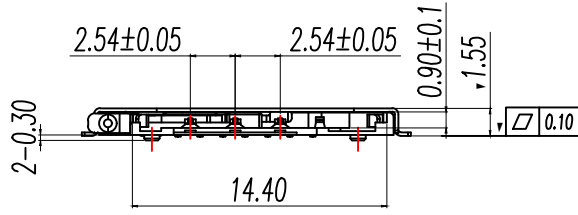
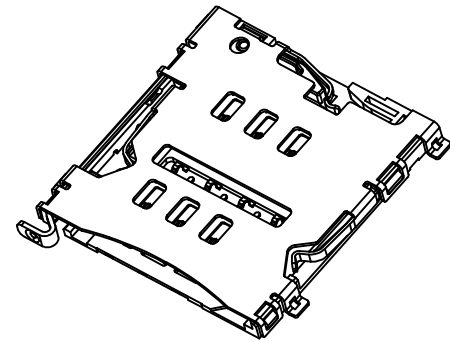


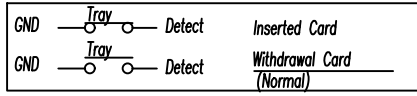
PAD AREA  
 KEEP OUT AREA  
 RECOMMENDED PCB LAYOUT  
 GENERAL TOLERANCE ±0.05



MICRO SIM CARD	
Pin No.	NAME
C1	VCC OF SIM
C2	RST OF SIM
C3	CLK OF SIM
C5	GND OF SIM
C6	VPP OF SIM
C7	I/O OF SIM
Detect	DETECTION SWITCH

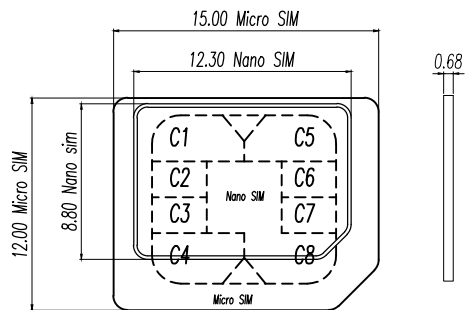
**NOTE:**

- △ Material & Finish See Table;
- 2. Circuit Diagram For Switch



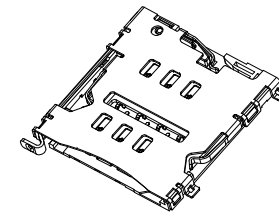
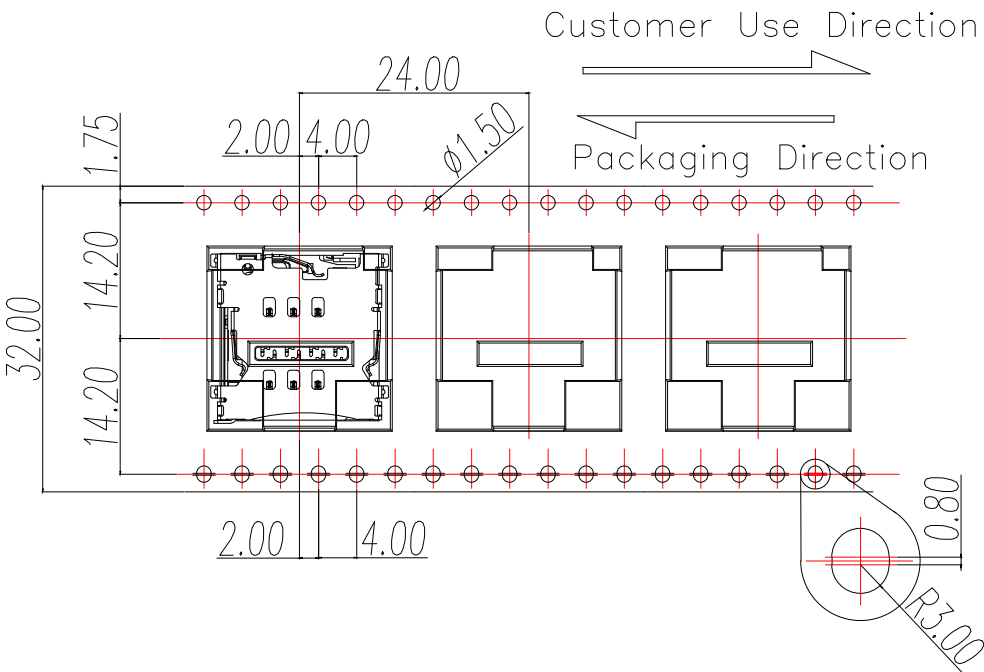
- 3. Characteristic:
  - 3-1.Current Rating :1A max.
  - 3-2.Contact Resistance:50mOhms max
  - 3-3.Insulation Resistance:1000MOhms min./500VDC
  - 3-4.Dielectric Withstanding Voltage:500VAC/1minute
  - 3-5.Mating Force: 8N Max, Withdrawal Force: 1N Min.;
  - 3-6.Durability: 3000 Cycles
  - 3-7.Operating Temperature:-25°C to+85°C
- 4. Critical Dimensions Marked "▼" Should Check By QC.

6	Shell	Stainless Steel	Nickel Under Plated Overall.
5	Lever	Stainless Steel	/
4	Cam	Stainless Steel	/
3	Housing	Thermoplastics	Black,UL94V-0
2	Detect	Copper Alloy	Gold Flash on Solder Tails ; Gold Flash on Contact Area;
1	Terminal	Copper Alloy	Nickel Under Plated Overall.
Item	Part Name	Material	Description



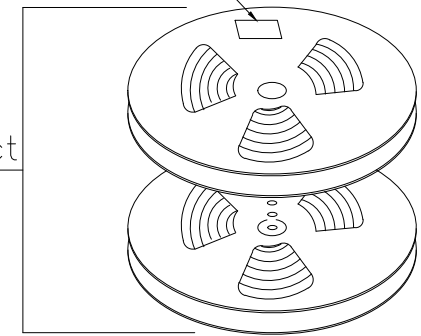
繪圖 DRAWN	規格 DESCRIPTION	日期 DATE	GENERAL TOLERANCE		繪圖 DRAWING	EMMA	料號 PART NO.	圖號 TITLE	圖號 REV.	圖號 SHEET
			X±0.50	X*±2'						
			.X±0.30	.X*±1'	審核 CHECK	EVA	BX-SIM-1.55HJ	Micro sim card 7pin 1.5H CONN.	A	1/1
			.XX±0.20		核准 APPROVAL	JADE				
					單位 UNITS	MM				
					比例 SCALE	1:1				



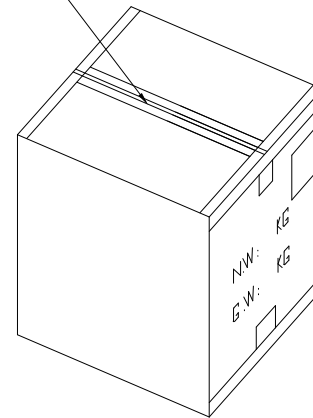


Reel Label

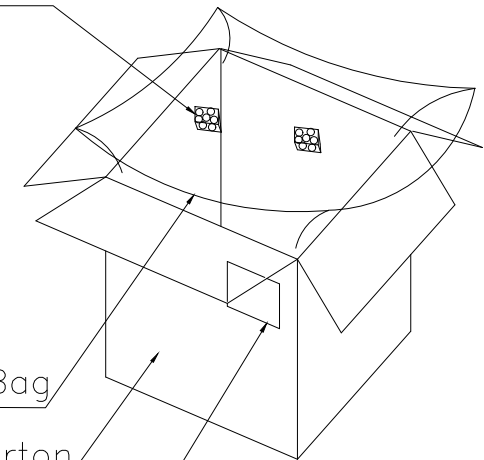
Reel with Product  
10 Reel



Sealing Tape



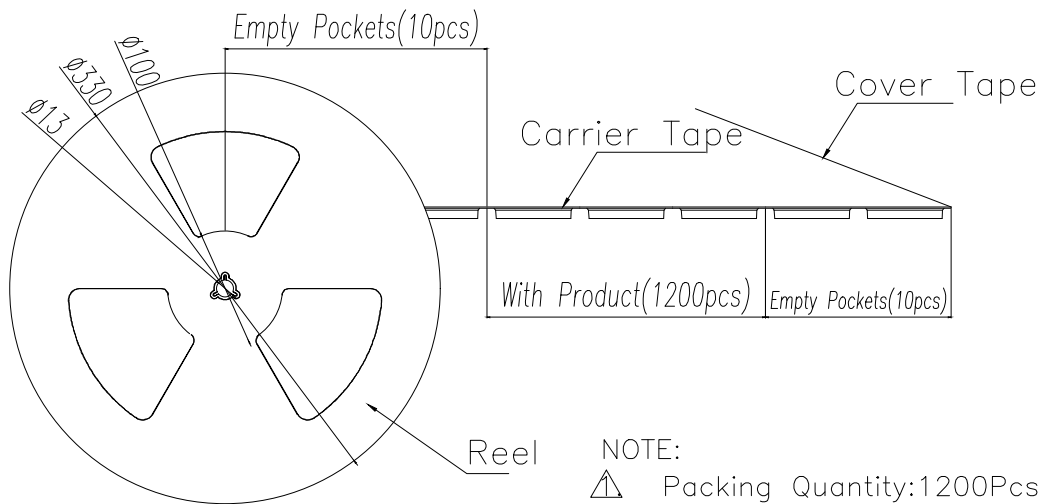
Desiccant



Waterproof Bag

Carton

Carton Label



NOTE:

- △ Packing Quantity:1200Pcs/Reel,12Kpcs/Carton;
2. When Carton Fill Zero,Then Fill of Polyethlene Foam;

制图 DRAWN	变更内容 DESCRIPTION	日期 DATE	GENERAL TOLERANCE		制图 DRAWING	料号 PART NO.	BX-SIM-1.55HJ	版本 REV.	A	
			X.±0.50	X.'±2"	审核 CHECK	EVA	品名 TITLE	Micro sim card 7pin 1.5H CONN.	页次 SHEET	1/1
			.X±0.30	.X'±1"	批准 APPROVAL	JADE	客户料号 CUTM.NO.			
			.XX±0.20		单位 UNITS	MM	比例 SCALE	1:1		