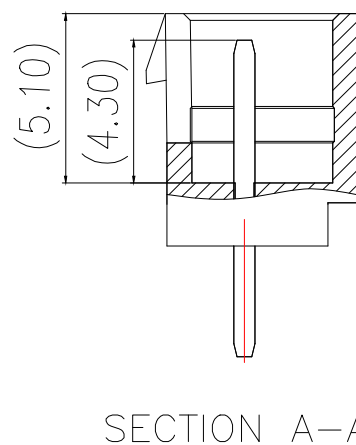
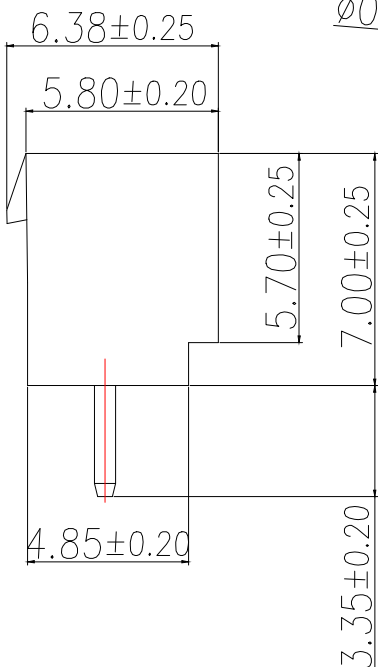
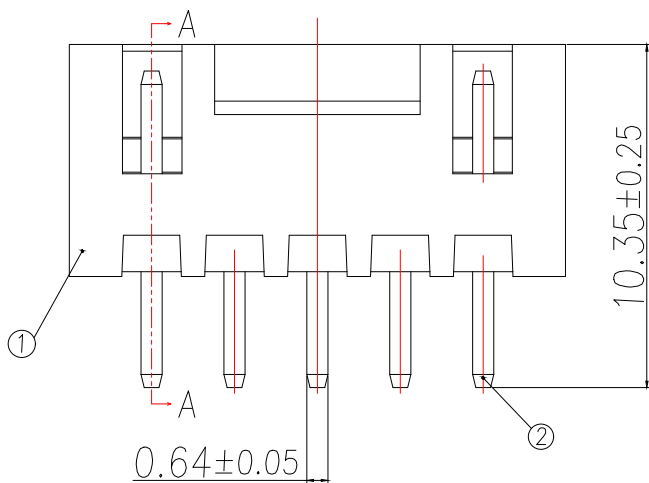
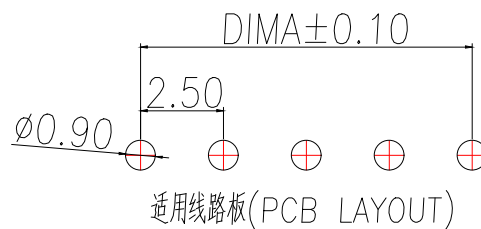


Technical Index:
 1. Temperature range: $-25^{\circ}\text{C}\sim 85^{\circ}\text{C}$.
 2. Rated voltage: 250V DC/AC(rms).
 3. Rated current: 3.0A.
 4. Contact resistance: $\leq 20\text{m}\Omega$.
 5. Withstanding voltage: 1000V AC/minute.
 6. Insulation resistance: $\geq 10000\text{M}\Omega$.



Part No	Pin	A	B
BX-HA2.54-2PZZ-GW	2	2.5	7.5
BX-HA2.54-3PZZ-GW	3	5.0	10.0
BX-HA2.54-4PZZ-GW	4	7.5	12.5
BX-HA2.54-5PZZ-GW	5	10.0	15.0
BX-HA2.54-6PZZ-GW	6	12.5	17.5
BX-HA2.54-7PZZ-GW	7	15.0	20.0
BX-HA2.54-8PZZ-GW	8	17.5	22.5
BX-HA2.54-9PZZ-GW	9	20.0	25.0
BX-HA2.54-10PZZ-GW	10	22.5	27.5
BX-HA2.54-11PZZ-GW	11	25.0	30.0
BX-HA2.54-12PZZ-GW	12	27.5	32.5
BX-HA2.54-13PZZ-GW	13	30.0	35.0
BX-HA2.54-14PZZ-GW	14	32.5	37.5
BX-HA2.54-15PZZ-GW	15	35.0	40.0
BX-HA2.54-16PZZ-GW	16	37.5	42.5
BX-HA2.54-17PZZ-GW	17	40.0	45.0

序号	品名	材质	制图 DRAWN	变更内容 DESCRIPTION	日期 DATE	GENERAL TOLERANCE		制图 DRAWING	EMMA	料号 PART NO.	BX-HA2.54-NPZZ-GW	版本 REV.	A
						X.±0.50	X.*±5°						
1	HA2.5 胶芯	PA66 UL94V-2 Beige				.X±0.20	.X*±3°	核准 APPROVAL	JADE	客户料号 CUTM.NO.			
2	HA2.5 直针 端子	Copper Alloy/ Tin Plating				.XX±0.10	.XX*±1°	单位 UNITS	MM	比例 SCALE	1:1		

