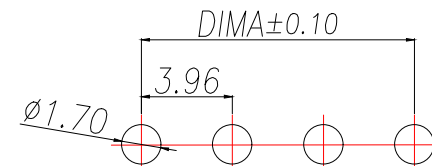
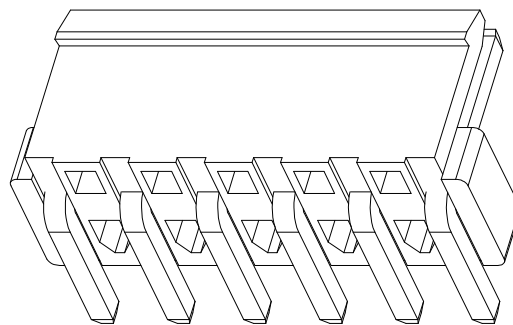
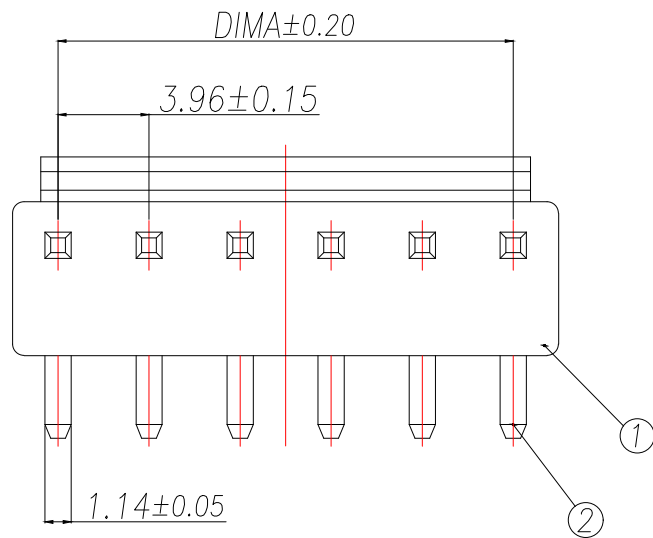
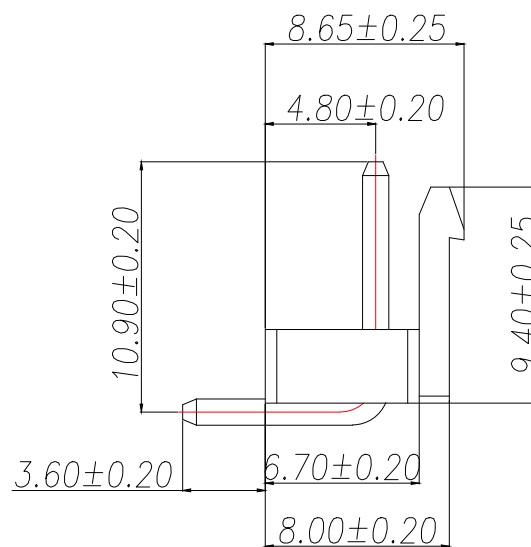
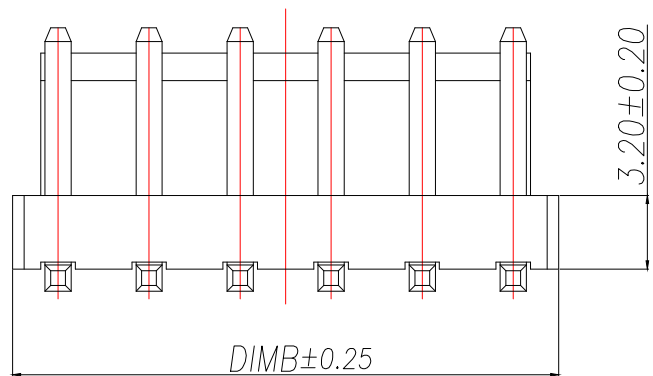


Technical Index:  
 1. Temperature range:  $-25^{\circ}\text{C}\sim 85^{\circ}\text{C}$ .  
 2. Rated voltage: 250V  
 DC/AC(rms).  
 3. Rated current: 7.0A.  
 4. Contact resistance:  $\leq 20\text{m}\Omega$ .  
 5. Withstanding voltage: 1500V AC/minute.  
 6. Insulation resistance:  $\geq 1000\text{M}\Omega$ .



通用线路板(PCB LAYOUT)



Part No	Pin	A	B
ZX-VH3.96-2PWZ-Y	2	3.96	7.92
ZX-VH3.96-3PWZ-Y	3	7.92	11.88
ZX-VH3.96-4PWZ-Y	4	11.88	15.84
ZX-VH3.96-5PWZ-Y	5	15.84	19.80
ZX-VH3.96-6PWZ-Y	6	19.80	23.76
ZX-VH3.96-7PWZ-Y	7	23.76	27.72
ZX-VH3.96-8PWZ-Y	8	27.72	31.68
ZX-VH3.96-9PWZ-Y	9	31.68	35.64
ZX-VH3.96-10PWZ-Y	10	35.64	39.60
ZX-VH3.96-11PWZ-Y	11	39.60	43.56
ZX-VH3.96-12PWZ-Y	12	43.56	47.52
ZX-VH3.96-13PWZ-Y	13	47.52	51.48
ZX-VH3.96-14PWZ-Y	14	51.48	55.44
ZX-VH3.96-15PWZ-Y	15	55.44	59.40
ZX-VH3.96-16PWZ-Y	16	59.40	63.36

序号	品名	材质	制图 DRAWN	变更内容 DESCRIPTION	日期 DATE	GENERAL TOLERANCE		制图 DRAWING	ROSE	料号 PART NO.	ZX-VH3.96-NPWZ-Y	版本 REV.	A
						.X±0.50	X'::±5°						
1	VH3.96 底座	PA66 UL94V-2 Yellow				.XX±0.20	X.X'::±3°	核准 APPROVAL <td>JOHN <td>客户料号 CUTM.NO.</td> <td></td> <td></td> <td></td> </td>	JOHN <td>客户料号 CUTM.NO.</td> <td></td> <td></td> <td></td>	客户料号 CUTM.NO.			
2	VH3.96 弯针 端子	Copper Alloy/ Tin Plating				.XXX±0.10	X.XX'::±1°	单位 UNITS <td>MM</td> <td>比例 SCALE</td> <td>1:1</td> <td colspan="2">兆星精密电子(深圳)有限公司 ShenZhen ZhaoXing Precision electronics Co., Ltd.</td>	MM	比例 SCALE	1:1	兆星精密电子(深圳)有限公司 ShenZhen ZhaoXing Precision electronics Co., Ltd.	