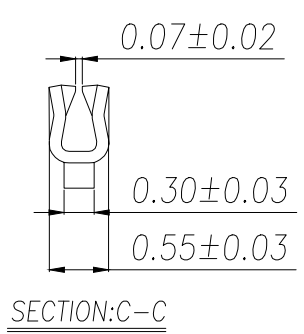
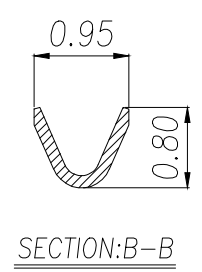
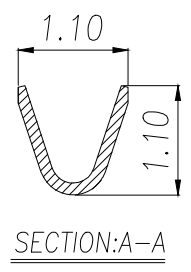


Specifications(规格):
 Voltage rating(额定电压):30VAC/DC
 Current rating(额定电流):1.0A AC/DC
 Withstanding voltage(耐压值):200V AC/minute
 Temperature range(工作温度):-25°C~+85°C
 Insulation resistance(绝缘电阻):>100MΩ
 Contact resistance(接触电阻):<20mΩ
 After environmental testing(环境测试后):≤30mΩ



ZX-0.8-DZ	Phosphor Bronze	AWG#28-32	0.60mm(Max)	Stamping Before Plating:30~50u" Ni;80~120u"Sn
PART NO	Material	Wire Range	Insulation O.D.	Finish



制图 DRAWN	变更内容 DESCRIPTION	日期 DATE	GENERAL TOLERANCE	制图 DRAWING	ROSE
			.X±0.30	审核 CHECK	LEO
			.XX±0.20	核准 APPROVAL	JOHN
			.XXX±0.10	单位 UNITS	MM
				比例 SCALE	1:1

料号 PART NO.	ZX-0.8-DZ	版本 REV.	A
品名 TITLE	0.80mm Crimp Style connectors	页次 SHEET	1/1
客户料号 CUTM.NO.			
兆星精密电子(深圳)有限公司 ShenZhen ZhaoXing Precision electronics Co., Ltd.			