

PANEL CUT-OUT		
Z	Y	X
0.70~1.25	12.90~13.10	18.9~19.1
1.25~2.00	12.90~13.10	19.1~19.2
2.00~3.00	12.90~13.10	19.3~19.4

NOTES:

1. Rating:

CCC 6A 250VAC

6(8)A 250VAC

8A/128A 250VAC T105/55

UL CUL 10GPA 125VAC

6GPA 250VAC T105/55

VDE ENEC 6(4)A 250VAC T85/55

KC 6(4)A 250VAC T85/55

2. Circuit Diagram: 3P ON-ON

3. Terminal Strength: ≥80N

4. Electrical life: ≥10000 cycles

5. Withstand Voltage: Withstand Voltage: 1500VAC 1min

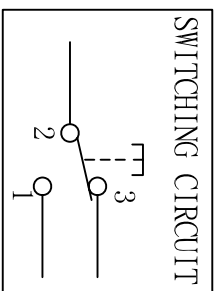
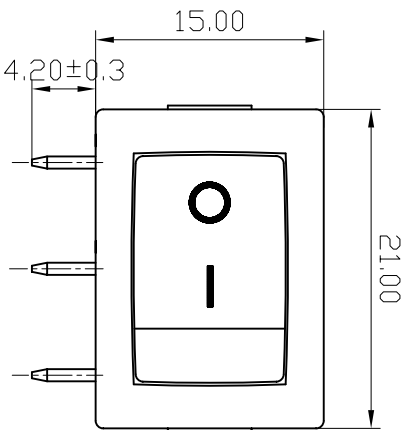
Terminals to Button: 3000VAC 1min

6. Leakage Current: 1mA

7. Current resistance: ≤50mΩ (initial)

8. Insulation resistance: ≥100MΩ

9. Body Material: NYLON 66 94V-2~0



深圳市富港科技有限公司

普通公差:
COMMON TOLERANCE:

A4	
A3	
A2	UP TO 5 ±0.20
A1	ABOVE 5 TO 30 ±0.30
REV.	DATE

ISSUE	ANGULAR	±5°	日期	DATE
REVISION DESCRIPTION	ISSUE	ANGULAR	±5°	DATE
投影	UNIT	mm	单位	mm
PROJCTED	UNIT	mm	单位	mm
核寸	核图	核准	核准	核准
CHECKED BY	DRAWN BY	CHECKED BY	DRAWN BY	CHECKED BY
图号	图号	图号	图号	图号
DMG NO.	DMG NO.	DMG NO.	DMG NO.	DMG NO.
船型开关	船型开关	船型开关	船型开关	船型开关
FG-RS601A-1020013BB-6A	FG-RS601A-1020013BB-6A	FG-RS601A-1020013BB-6A	FG-RS601A-1020013BB-6A	FG-RS601A-1020013BB-6A
比例	比例	比例	比例	比例
SCALE	SCALE	SCALE	SCALE	SCALE
Free	Free	Free	Free	Free