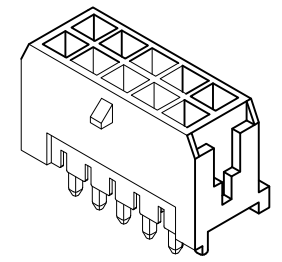
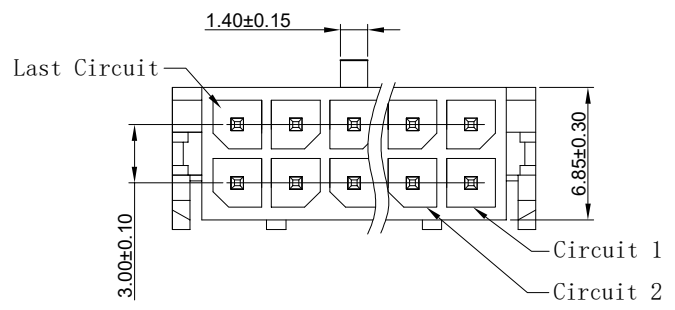
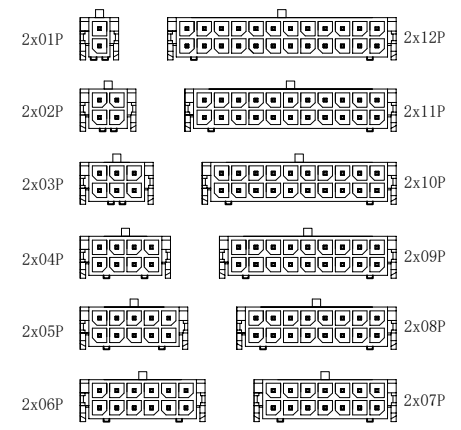
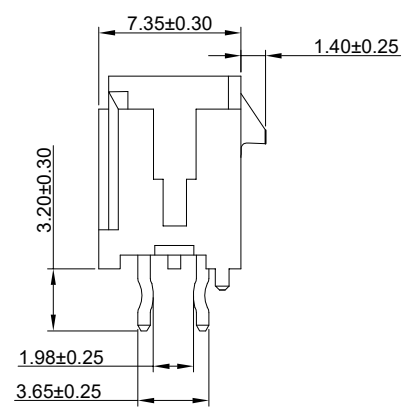
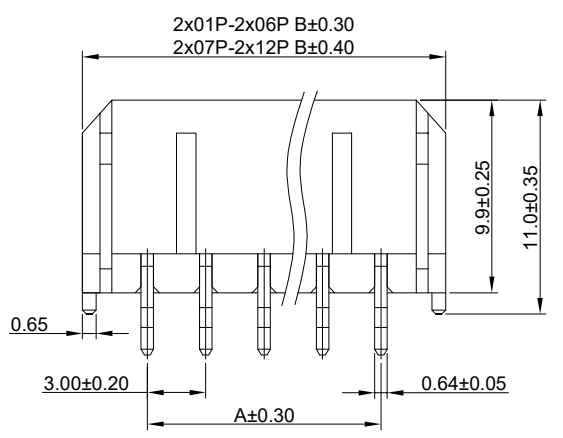


修订	标记	修改摘要	签名	日期
REV	MARK	REVISION DESCRIPTION	SIGNATURE	DATE
AO		NEW DWG		2016-03-12



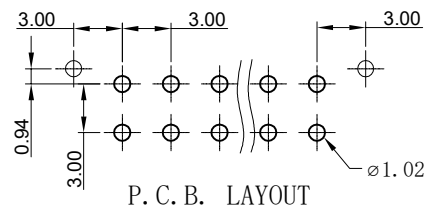
3D VIEW

**SPECIFICATIONS :**  
Voltage Rating: 250V AC / DC  
Current Rating: 5A AC / DC  
Withstanding Voltage: 1000V AC/minute  
Temperature Range: -40°C~+105°C  
Insulation Resistance: 1000MΩ Min.  
Contact Resistance: 20mΩ Max.  
\*Suitable 3001T series Terminal  
3001H series Housing  
\*Material:  
Material: PA66 94V-0  
Pin: Brass Tin-plated  
Color:Black



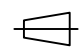


CIRCUIT SIZE LAYOUT

Poles	Dimensions (mm)	
	A	B
02	---	6.65
04	3.00	9.65
06	6.00	12.65
08	9.00	15.65
10	12.00	18.65
12	15.00	21.65
14	18.00	24.65
16	21.00	27.65
18	24.00	30.65
20	27.00	33.65
22	30.00	36.65
24	33.00	39.65



P. C. B. LAYOUT

 <b>深圳市华德共创科技有限公司</b> Shenzhen Huade co-create Technology Co.,LTD 电话: 0755-27111216 传真: 0755-29940187						
-TOLERANCES- UNLESS OTHERWISE SPECIFIED 公差参数表		 	TITLE: 产品名称: MX3.0直针K脚黑色VO			
X.X ±0.30	X.X° ±3°	APPD: 核准:	PART NO: 产品编号: MX3.0-2xXPWV(HDGC3030WV-2xXP)			
X.XX ±0.20	X.XX° ±2°	CHECK: 校对: 王建业	DATE	SCALE	UNIT	CODE NUMBER
X.XXX ±0.10	X.XXX° ±1°	DRAW: 绘图: 黄艳兰	2016-03-12	1:1	mm	A001

由 Autodesk 教育版产品制作

由 Autodesk 教育版产品制作