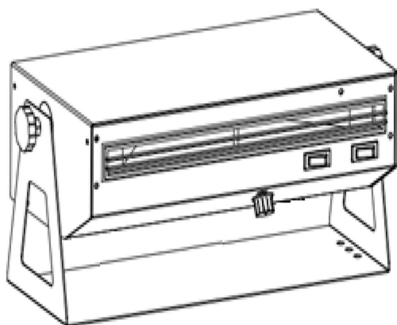




QUICK 441B STATIC ELIMINATOR

Instruction Manual



Thank you for purchasing our products. Please keep the instruction manual properly for future reference.

Contents

1. Safety Instructions.....	1
2. Overview.....	2
3. Product Characteristics.....	2
4. Product Specifications.....	3
5. Static Elimination Time Testing.....	4
6. Functional Descriptions.....	5
6.1. Dimensions.....	5
6.2. Part Descriptions.....	6
7. Installation.....	6
8. Operation.....	7
9. Maintenance.....	7
10. Troubleshooting.....	8

1.Safety Instructions



CAUTION

- During the installation and use of this product, all electrical safety regulations of the country and regions must be strictly observed.
- The power supply must be disconnected when disassembling the product. Do not operate with power on.
- If the product does not work properly, please contact the supplier or our company, and do not disassemble or change the product in any way. We are not responsible for any problems caused by unauthorized maintenance or modification.



WARNING

- The product should be used away from places where there is magnetic interference.
- Don't install the product in a place where the surface is easy to shake or be impacted, as it may damage the product.
- Don't place the product in places where it may be exposed to rain or moisture.
- Don't use in flammable and explosive environments.
- After power on, don't touch the ion emitter.
- Please keep the air outlet and inlet unblocked and ensure there is no obstruction.
- In order to avoid electric shock and ensure the performance of static elimination, please make sure the ion grounding terminal is completely grounded.
- Please unplug the power cord when the product is not used for a long time.

2.Overview

The static eliminator produces air flow with positive and negative ions, and the air flow is blown to the objects with static charge to neutralize the charge. This static eliminator is a vertical design, which can stand on the workbench, or can be installed on the wall or below the partition through the base with bolts and nuts.

This static eliminator can be used for inspection, assembly, test and laboratory. It can also be used in some situations where electrostatic charges are problematic. For example: adsorption of dust on products; disorderly arrangement of small parts due to static electricity; adsorption of plastic films due to static electricity.

3.Product Characteristics

- Rapidly neutralize static charges.
- Adjustable ion balance .
- Speed-adjustable fan generates large area ion airflow.
- Bench stand or optional pedestal mount with 360° adjustability.
- Built-in emitter cleaner.


4.Product Specifications

Product Model	441B
Voltage	AC 110V/220V
Power Consumption	300W (Max)
Ion Balance	±50V
Operation Ambient	0~50°C, 40%~60%RH
High-voltage Output	AC 5.6KV(Max)
Effective Range	900*1800mm
Air Volume Output	50~102CFM
Audible Noise	<60dB
Dimension(L*W*H)	449*217.5*182mm
Weight	About 7.5 kg


5.Static Elimination Time Testing

Static eliminator time(S):

Fan Speed – High

	30cm	60cm	90cm	120cm	
	4.1	4.6	5.5	7.0	30cm
	1.3	2.5	4.0	5.5	Center Line
	4.1	4.6	5.5	7.0	30cm

Fan Speed –Mid

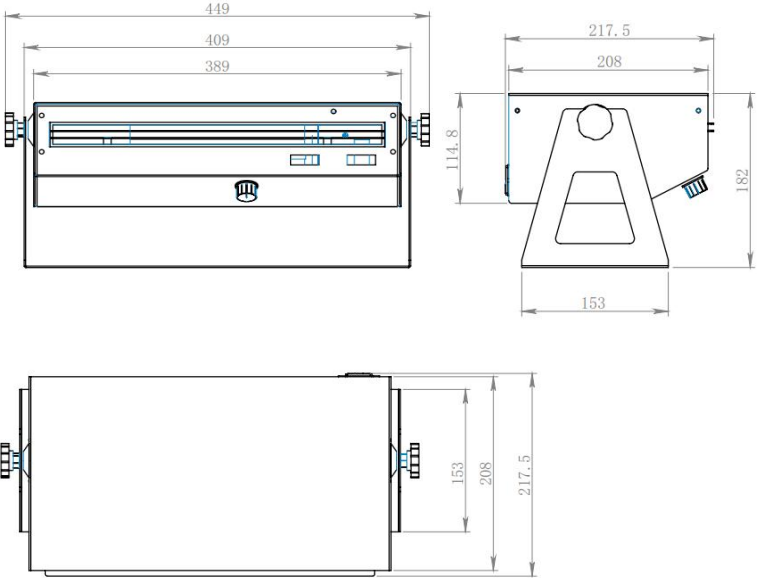
	30cm	60cm	90cm	120cm	
	5.5	6.5	9.0	10	30cm
	1.5	3.0	5.0	7.5	Center Line
	5.5	6.5	9.0	10	30cm

Note: Test steps should be in the condition of $22\pm 2^{\circ}\text{C}$ & $45\pm 5\%$ RH.

- 1) The ion balance and static elimination time are tested according to the ion standard of the American ESD Association (in line with the international ESD standard ANSI/ESD-S20.20-2021).
- 2) The static elimination time from 1000V to 100V is tested according to the position in the table above.
- 3) The above test data will vary due to changes in temperature, humidity and surrounding environment.

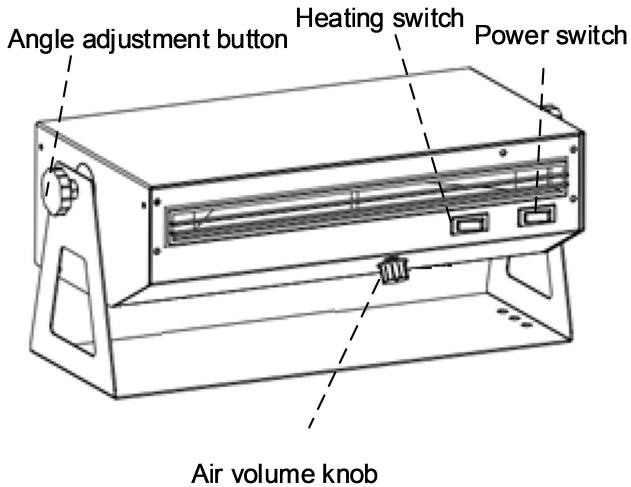
6.Functional Descriptions

6. 1. Dimensions



Unit: mm

6. 2. Part Descriptions



7. Installation

- 1) The base of the static eliminator can be directly placed on the workbench or fixed on the wall or partition.
- 2) When using the static eliminator, it should be placed in working area where static electricity need to be eliminated. The ion air should cover a large area as much as possible, and it should be about 300-900mm away from the object to be eliminated.

8.Operation

- 1) Connect the power supply.
- 2) Press the "POWER" key to turn on the power switch, and the switch light is on, it indicates the static eliminator starts working.
- 3) Adjust the "Air volume knob" to set the required air flow.
- 4) If you need hot air, turn on the "WARM AIR" switch to generate hot air.

9.Maintenance

Ion emitter cleaning (Cleaning twice a week is recommended).

Move the brush back and forth to clean.

Air inlet and outlet cleaning

The air inlet at the bottom and the ion air outlet should be kept clean to prevent the reduction of air volume, which can be cleaned with a soft brush or an ionizing air gun.

Ion balance measurement

It is recommended to use the 432A static meter to measure the ion balance.

Ion balance adjustment

Use an insulated Phillips screwdriver to adjust the balance adjustment potentiometer on the back of the static eliminator.

10.Troubleshooting

1) The unit doesn't work when the power switch is turned ON.

CHECK①: Is the fuse blown?

ACTION: Replace the fuse. (Make sure it is the fuse of the same specification.)

CHECK②: Is the power cord plugged in?

ACTION: Plug in the power cord.

2) The air is flowing but the static is not eliminated or the ion balance deviation is too large.(Ionization light flashing)

CHECK①: Is the dust or other objects cover the ion emitter?

ACTION: Clean the ion emitter.

CHECK②: Is the ion balance deviation is too large?

ACTION: Adjust the ion balance.

⚠Note: If the problem cannot be solved according to the above list, please contact our company or local agent.

Warranty Card

●The warranty period of this product is calculated from the date of Purchase. During the warranty period, if the product breaks down during normal use, ow the original warranty card and enjoy Free service in the authorized repair company(or our company). Please keep the purchase certificate and this warranty card and show it before maintenance.

●During the warranty period, the following repairs need to be paid:
a.Unable to offer valid warranty card or certificate;
b.The purchase date, sales company and other items are not completely filled or the warranty card is altered;
c.Damage caused by failure to follow the use methods and precautions in the manual;
d.Damage caused by disassembly, repair and modification of products without authorization of the manufacturer;
e.Replacement of vulnerable and consumable parts.

●All items of the warranty card shall be completely filled in by the agent or user to obtain a 12-month warranty period.
●Please keep this warranty card properly It will not be re-offered after.

QUICK INTELLIGENT EQUIPMENT
CO., LTD.
ADD: NO.11, FengXiang Road, Wujin
High-Tech Industrial Development
Zone, Jiangsu, China
TEL: 86-519-86225678
FAX: 86-519-86558599
POSTCODE: 213167
WEBSITE: www.quick-global.com

Warranty Card

Type: _____

Model No.: _____

Serial No.: _____

Delivery Date: _____

Warranty File Card

Type: _____

Model No.: _____

Serial No.: _____

Delivery Date: _____

Address : _____

Postcode: _____

Telephone: _____

Contact Person: _____

QUICK INTELLIGENT EQUIPMENT CO.,
LTD.

ADD: NO.11, FengXiang Road, Wujin
High-Tech Industrial Development
Zone, Jiangsu, China

TEL: 86-519-86225678

FAX: 86-519-86558599

POSTCODE: 213167

WEBSITE: www.quick-global.com

