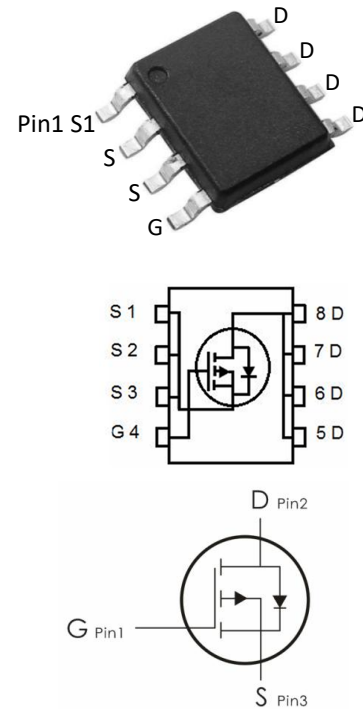


Description:

This P-Channel MOSFET uses advanced trench technology and design to provide excellent $R_{DS(on)}$ with low gate charge. It can be used in a wide variety of applications.

Features:

- 1) $V_{DS}=-30V, I_D=-18A, R_{DS(ON)}<7.5m\Omega @V_{GS}=-10V$ (Typ: $5.7m\Omega$)
- 2) Low gate charge.
- 3) Green device available.
- 4) Advanced high cell density trench technology for ultra low $R_{DS(ON)}$.
- 5) Excellent package for good heat dissipation.
- 6) MSL3



Package Marking and Ordering Information:

Part NO.	Marking	Package	Packing
SC7R5PDG	C7R5PD	SOP-8	3000 pcs/Reel

Absolute Maximum Ratings: ($T_A=25^\circ C$ unless otherwise noted)

Symbol	Parameter	Ratings	Units
V_{DS}	Drain-Source Voltage	-30	V
V_{GS}	Gate-Source Voltage	± 20	V
I_D	Continuous Drain Current ¹	-18	A
	Continuous Drain Current- $T_A=100^\circ C$ ¹	-12.6	
I_{DM}	Pulsed Drain Current ²	-72	
P_D	Power Dissipation	4.1	W
E_{AS}	Single pulse avalanche energy ³	121	mJ
T_J, T_{STG}	Operating and Storage Junction Temperature Range	-55-+150	$^\circ C$

Thermal Characteristics:

Symbol	Parameter	Max	Units
$R_{\theta JA}$	Thermal Resistance, Junction to Ambient	30	$^\circ C/W$

Electrical Characteristics: ($T_A=25^\circ\text{C}$ unless otherwise noted)

Symbol	Parameter	Conditions	Min	Typ	Max	Units
Off Characteristics						
BV_{DSS}	Drain-Source Breakdown Voltage	$V_{GS}=0V, I_D=250\ \mu\text{A}$	-30	---	---	V
I_{DSS}	Zero Gate Voltage Drain Current	$V_{GS}=0V, V_{DS}=-30V$	---	---	-1	μA
I_{GSS}	Gate-Source Leakage Current	$V_{GS}=\pm 20V, V_{DS}=0A$	---	---	± 100	nA
On Characteristics						
$V_{GS(th)}$	Gate-Source Threshold Voltage	$V_{GS}=V_{DS}, I_D=250\ \mu\text{A}$	-1	-1.6	-2.2	V
$R_{DS(on)}$	Drain-Source On Resistance ⁴	$V_{GS}=-10V, I_D=-10A$	---	5.7	7.5	$\text{m}\Omega$
		$V_{GS}=-4.5V, I_D=-5A$	---	9.5	12	$\text{m}\Omega$
Dynamic Characteristics						
C_{iss}	Input Capacitance	$V_{DS}=-15V, V_{GS}=0V, f=1\text{MHz}$	---	2100	---	pF
C_{oss}	Output Capacitance		---	415	--	
C_{rss}	Reverse Transfer Capacitance		---	345	---	
Switching Characteristics						
$t_{d(on)}$	Turn-On Delay Time	$V_{DS}=-15V, I_D=-10A,$ $R_L=5\ \Omega, V_{GS}=-10V$	---	10	---	ns
t_r	Rise Time		---	63	---	ns
$t_{d(off)}$	Turn-Off Delay Time		---	68	---	ns
t_f	Fall Time		---	52	---	ns
Q_g	Total Gate Charge	$V_{GS}=-10V, V_{DS}=-15V,$ $I_D=-5A$	---	58	---	nC
Q_{gs}	Gate-Source Charge		---	10	---	nC
Q_{gd}	Gate-Drain "Miller" Charge		---	11	---	nC
Drain-Source Diode Characteristics						
V_{SD}	Diode Forward Voltage	$V_{GS}=0V, I_{SD}=-15A$	---	---	-1.2	V
I_S	Continuous Drain Current	$V_D=V_G=0V$	---	---	-18	A
I_{SM}	Pulsed Drain Current		---	---	-72	A
T_{rr}	Reverse Recovery Time	$I_F=-10A, T_J=25^\circ\text{C}$	---	17	---	ns
Q_{rr}	Reverse Recovery Charge	$dI/dt=100A/\mu\text{s}$	---	8	---	nC

Notes:

1. Computed continuous current assumes the condition of $T_{j,Max}$ while the actual continuous current depends on the thermal & electro-mechanical application board design
2. Repetitive Rating: Pulse Width Limited by Maximum Junction Temperature
3. EAS condition : $T_J=25^{\circ}C, V_{DD}=-15V, V_G=-10V, L=0.5mH$
4. Pulse Test: Pulse Width $\leq 300\mu s$, Duty Cycle $\leq 0.5\%$

Typical Characteristics: ($T_A=25^{\circ}C$ unless otherwise noted)

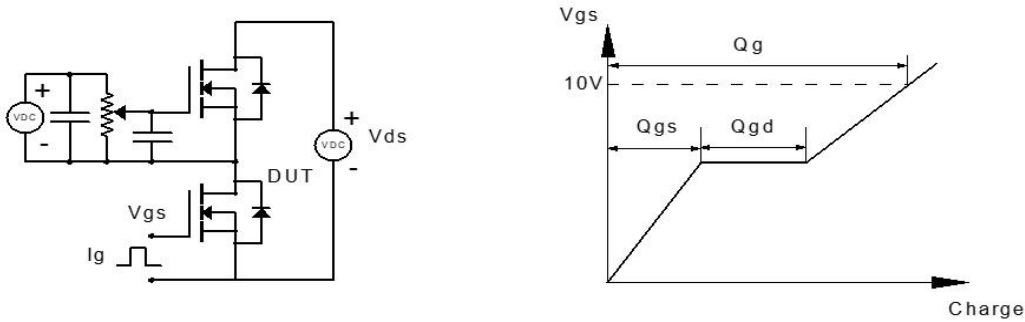


Figure 1: Gate Charge Test Circuit & Waveform

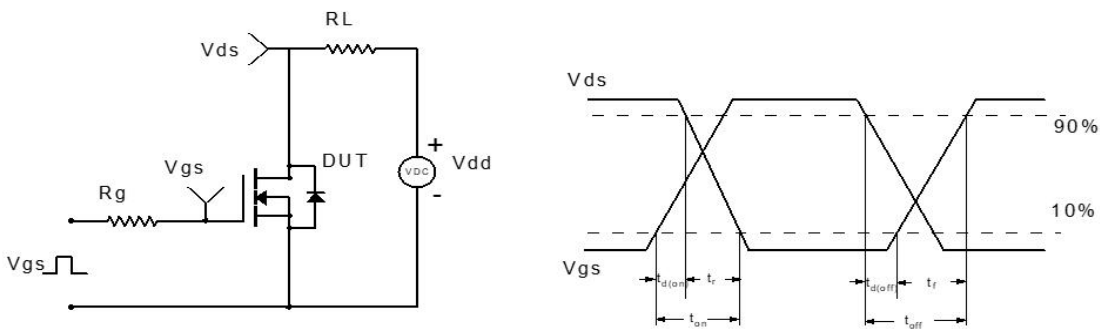


Figure 2: Resistive Switching Test Circuit & Waveform

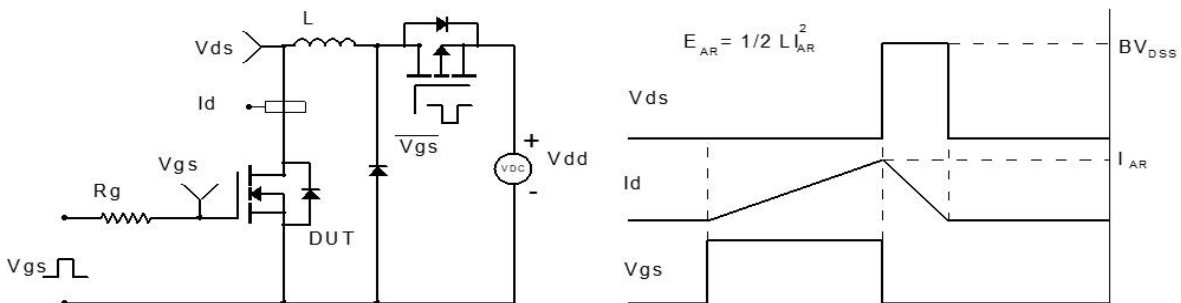


Figure 3: Unclamped Inductive Switching Test Circuit & Waveform

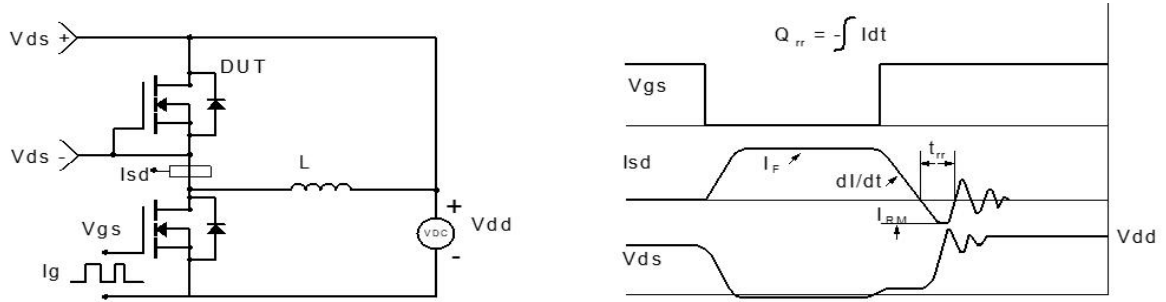
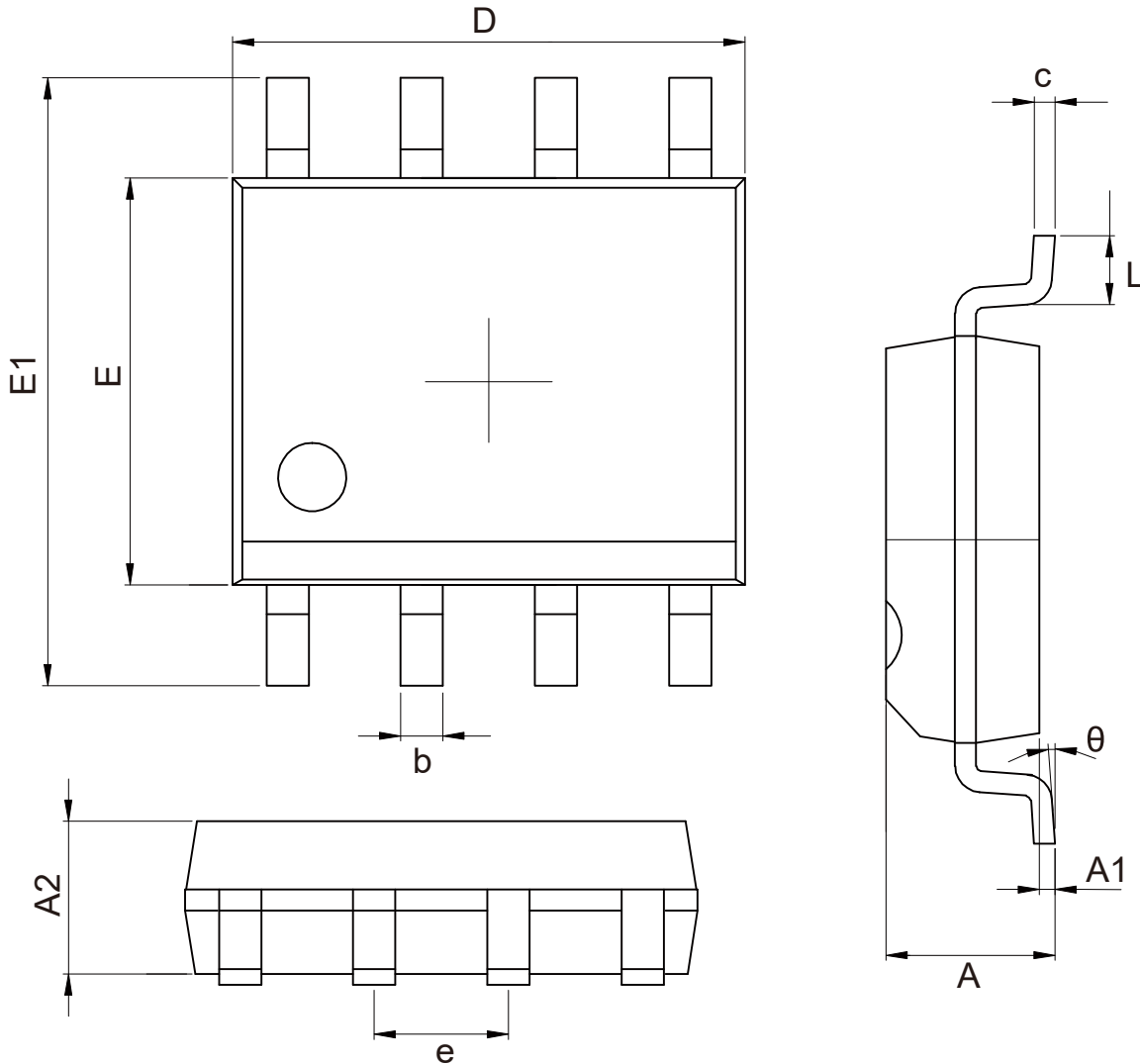


Figure 4: Diode Recovery Test Circuit & Waveform

SOP-8 Package Information:

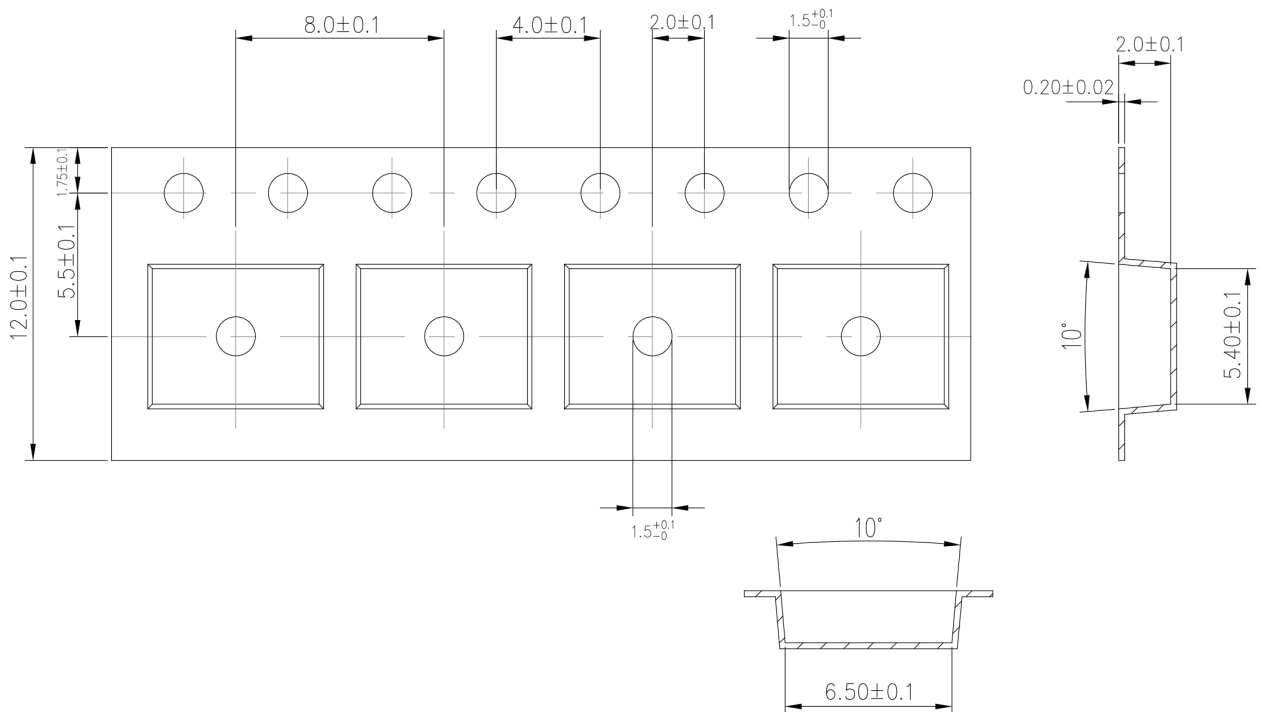
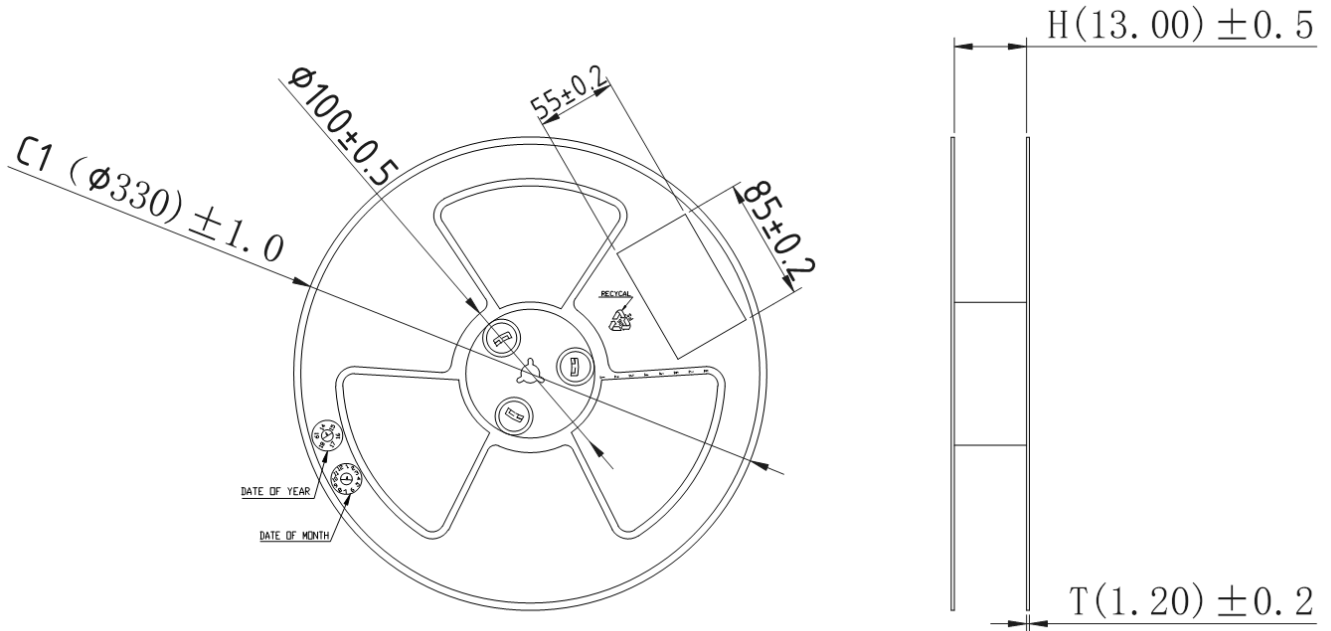


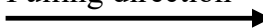
COMMON DIMENSIONS			
UNITS MEASURE=MILLIMETER			
SYMBOL	MIN	NOM	MAX
A	1.350	---	1.750
A1	0.100	---	0.250
A2	1.350	---	1.550
b	0.330	---	0.510
c	0.170	---	0.250
D	4.700	---	5.100
E	3.800	3.900	4.000
E1	5.800	---	6.200
e	1.270BSC		
L	0.400	---	1.270
θ	0°	--	8°

Unit:mm

Tape & Reel Information

Dimensions in mm



Pulling direction 

Marking Information:

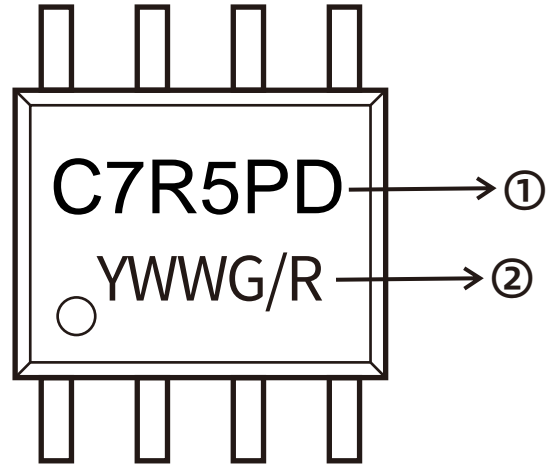
①. Part NO.

②. Date Code(YWWG / R)

Y : Year Code , last digit of the year

WW : Week Code(01-53)

G/R : G(Green) /R(Lead Free)



Previous Version

Version	Date	Subjects (major changes since last revision)
1.0	2025-06-21	Release of final version

Attention :

- Information furnished in this document is believed to be accurate and reliable. However, Shenzhen Doingter Semiconductor Co.,Ltd. assumes noresponsibility for the consequences of use without consideration for such information nor use beyond it.
- Information mentioned in this document is subject to change without notice, apart from that when an agreement is signed, Shenzhen Doingter complies with the agreement. Products and information provided in this document have no infringement of patents.
- Shenzhen Doingter assumes noresponsibility for any infringement of other rights of third parties which may result from the use of such products and information. This document supersedes and replaces all information previously supplied.



Is a registered trademark of Shenzhen Doingter Semiconductor Co., Ltd. Copyright © 2013 Shenzhen DoingterSemiconductor Co.,Ltd. Printed All rights reserved.