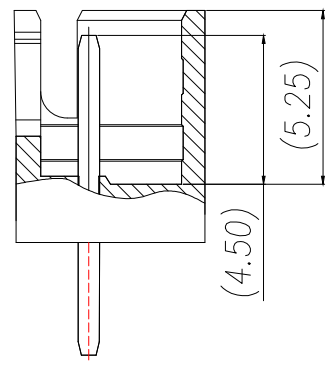
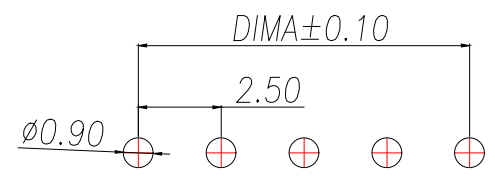


2 Pin样式



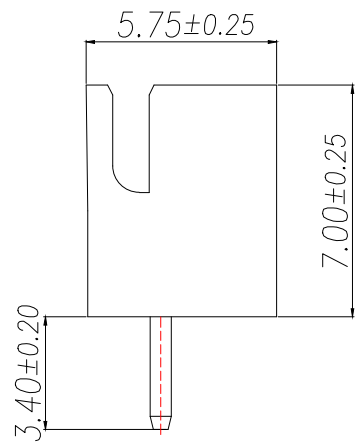
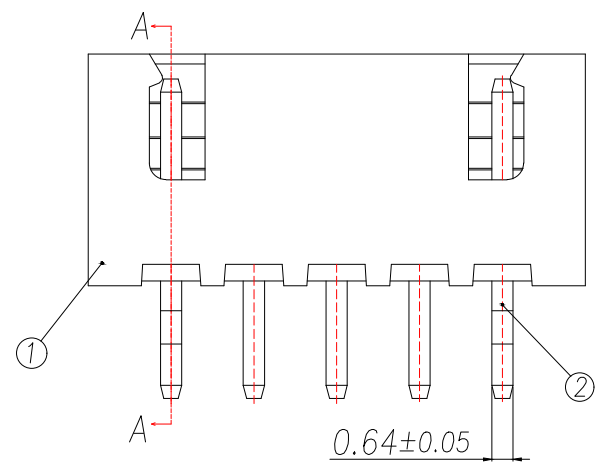
SECTION A-A



适用线路板(PCB LAYOUT)

Technical Index:

1. Temperature range: -25°C~85°C.
2. Rated voltage: 250V DC/AC(rms).
3. Rated current: 3.0A.
4. Contact resistance: ≤20mΩ.
5. Withstanding voltage: 1000V AC/minute.
6. Insulation resistance: ≥1000MΩ.



Part No	Pin	A	B
ZX-XH2.54-2PZZ-GW	2	2.5	7.5
ZX-XH2.54-3PZZ-GW	3	5.0	10.0
ZX-XH2.54-4PZZ-GW	4	7.5	12.5
ZX-XH2.54-5PZZ-GW	5	10.0	15.0
ZX-XH2.54-6PZZ-GW	6	12.5	17.5
ZX-XH2.54-7PZZ-GW	7	15.0	20.0
ZX-XH2.54-8PZZ-GW	8	17.5	22.5
ZX-XH2.54-9PZZ-GW	9	20.0	25.0
ZX-XH2.54-10PZZ-GW	10	22.5	27.5
ZX-XH2.54-11PZZ-GW	11	25.0	30.0
ZX-XH2.54-12PZZ-GW	12	27.5	32.5
ZX-XH2.54-13PZZ-GW	13	30.0	35.0
ZX-XH2.54-14PZZ-GW	14	32.5	37.5
ZX-XH2.54-15PZZ-GW	15	35.0	40.0
ZX-XH2.54-16PZZ-GW	16	37.5	42.5

序号	品名	材质	制图 DRAWN	变更内容 DESCRIPTION	日期 DATE	GENERAL TOLERANCE		制图 DRAWING	ROSE	料号 PART NO.	ZX-XH2.54-NPZZ-GW	版本 REV.	A
						.X±0.50	X°.±5°						
1	XH2.5 嵌芯	PA66 UL94V-2 Beige				.XX±0.20	X.X°:±3°	核准 APPROVAL <td>JOHN <td>客户料号 CUTM.NO.</td> <td></td> <td></td> <td></td> </td>	JOHN <td>客户料号 CUTM.NO.</td> <td></td> <td></td> <td></td>	客户料号 CUTM.NO.			
2	XH2.5 直针 端子	Copper Alloy/ Tin Plating				.XXX±0.10	X.XX°:±1°	单位 UNITS	MM	比例 SCALE	1:1	兆星精密电子(深圳)有限公司 ShenZhen ZhaoXing Precision electronics Co., Ltd.	