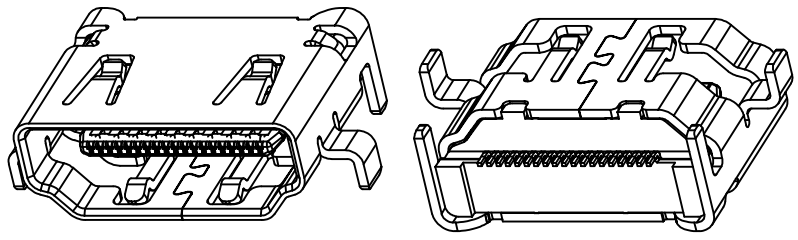
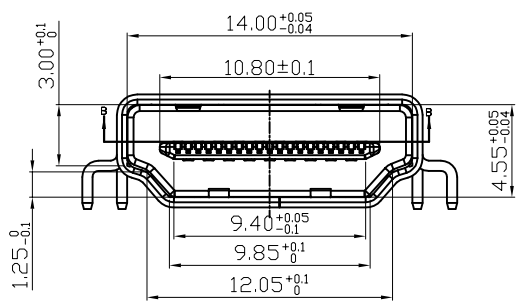


修 订	标 记	修 改 描 要	签 名	日 期
REV	MARK	REVISION DESCRIPTION	SIGNATURE	DATE
AO		NEW DWG		2016-03-12



**NOTES:**

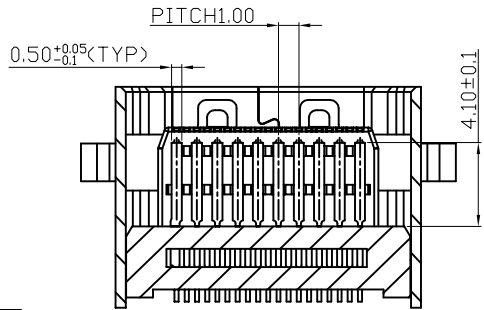
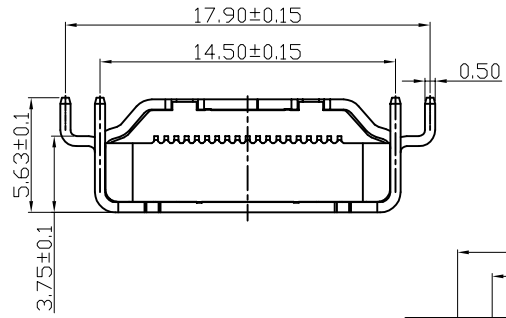
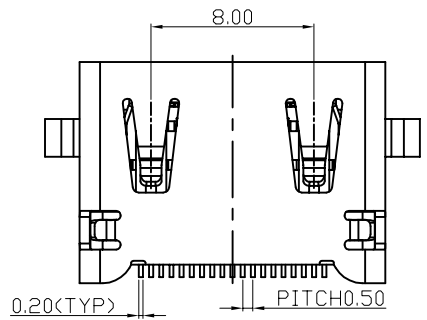
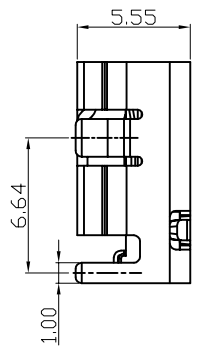
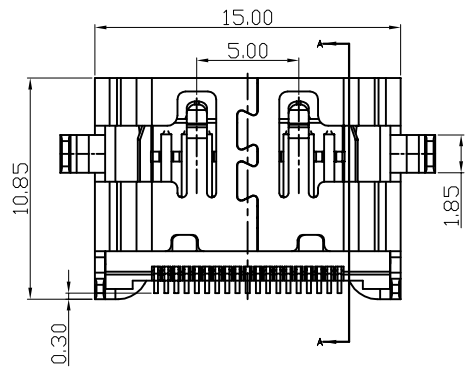
**1.MATERIAL:**  
 1-1 HOUSING:LCP WITH 30% G/F UL 94V-0 COLOR:BLACK.  
 1-2 CAP:LCP WITH 30% G/F UL 94V-0 COLOR:BLACK.  
 1-3 TERMINAL: COPPER ALLOY T=0.20mm  
 1-4 SHELL: SPCC/COPPER ALLOY T=0.50mm

**2.PLATING:**  
 2-1 TERMINAL:  
 (SEE P/N.)GOLD PLATED ON CONTACT AREA AND 100μ" MIN. MATTE-TIN ON SOLDER TAIL, WITH ENTIRE CONTACT UNDERPLATED 80μ" MIN.NICKEL.  
 2-2 SHELL: 50μ" MIN. NICKEL PLATED.

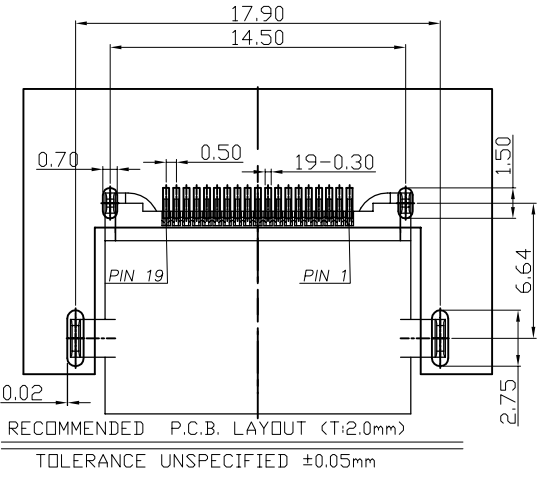
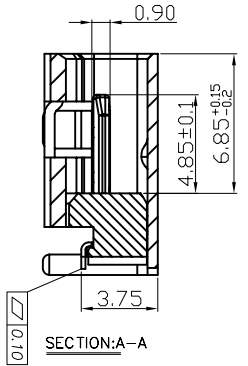
**3.MECHANICAL PERFORMANCE**  
 3-1 INSERTION FORCE: 4.5kgf MAX  
 REMOVAL FORCE: 1kgf MIN; 4.0kgf MAX  
 DURABLITY:5000 CYCLES

**4.ELECTRICAL PERFORMANCE:**  
 4-1 Current Rating: 0.5A  
 4-2 Voltage Rating: 40V AC  
 4-3 CONTACT RESISTANC:INITIAL 30mΩ MAX.  
 AFTER TEST: Δ10 mΩ MAX  
 4-4 DIELECTRIC STRENGTH:UNMATED CONNECTORS APPLY 500V AC  
 MATED CONNECTOR APPLY 300V AC  
 4-5 INSULATION RESISTANCE:100 MEGAOHMS MIN.(UNMATED)  
 10 MEGAOHM'S MIN.(MATED)

**5.ENVIRONMENTAL PERFORMANCE:**  
 OPERATING TEMPERATURE: -25°C~+85°C  
 SALT SPRAY:24H




PIN	Signal Assignment	PIN	Signal Assignment
1	TMDS Data2+	2	TMDS Data2 Shield
3	TMDS Data2-	4	TMDS Data1+
5	TMDS Data1 Shield	6	TMDS Data1-
7	TMDS Data0+	8	TMDS Data0 Shield
9	TMDS Data0-	10	TMDS Clock+
11	TMDS Clock Shield	12	TMDS Clock-
13	CEC	14	Utility
15	SCL	16	SDA
17	DDC/CEC Ground	18	+5V Power
19	Hot Plug Detect		

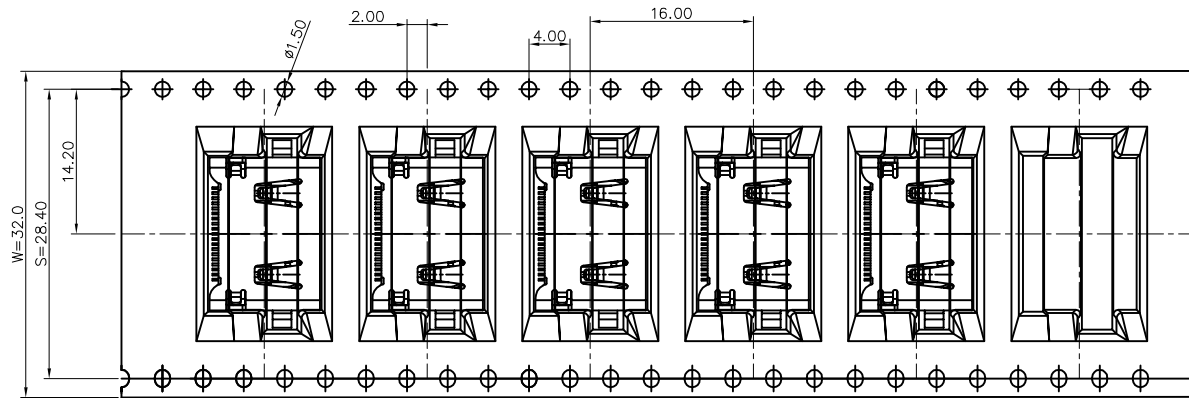


SECTION:B-B



深圳市华德共创科技有限公司  
 Shenzhen Huade co-create Technology Co.,LTD  
 电话: 0755-27111216 传真: 0755-29940187

-TOLERANCES- UNLESS OTHERWISE SPECIFIED 公差参数表		 	TITLE: 产品名称: HDMI A TYPE母座沉板3.75MM卧式贴板			
X.X ±0.30	X.X* ±3°	APPD: 核准:	PART NO: HDMI-DB-127PB			
X.XX ±0.20	X.XX* ±2°	CHECK: 校对: 王建业	DATE	SCALE	UNIT	CODE NUMBER
X.XXX ±0.10	X.XXX* ±1°	DRAW: 绘图: 黄艳兰	2016-03-12	1:1	mm	A001



NO.1

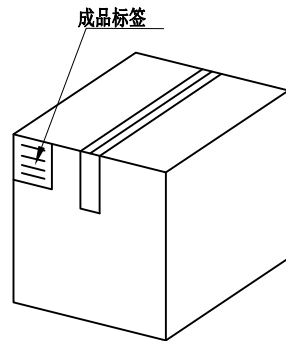
修訂 REV NO	标记 MARK	修改摘要 REVISION DESCRIPTION	签名 SIGNATURE	日期 DATE
		NEW DWG		2016-03-12



NOTES

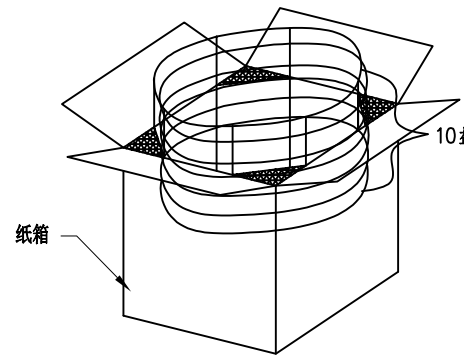
- 1. 帶子引導長度  
LEAD TAPE LENGTH  
出料方向  
PULL OUT DIRECTION

出料方向  
PULL OUT DIRECTION

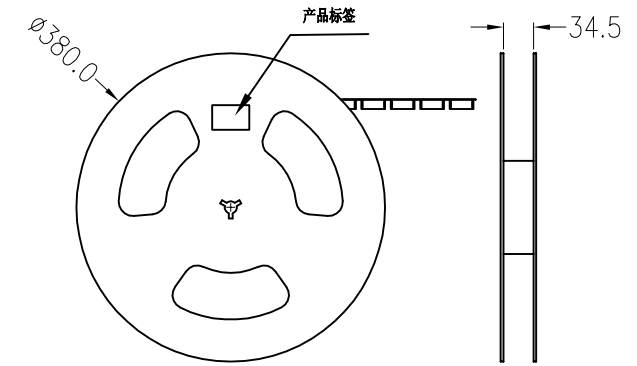


纸箱规格: 39\*39\*38cm

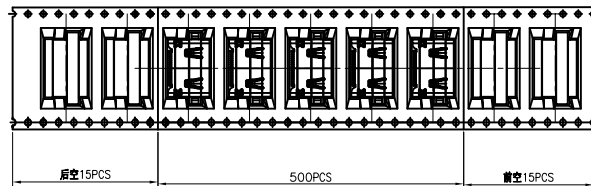
NO.4



NO.3



NO.2



- 2. 上帶 剝力力為: 0.1~1.3N(10.2gf~130gf)  
PEELING OFF FORCE OF TOP TAPE: 0.1~1.3N(10.2gf~130gf)

出貨運輸過程中一定注意:  
THIS REQUIREMENT SHOULD BE APPLIED AT SHIPMENT:

卷帶在運輸過程中不能散開  
PEELING OFF SHOULD NOT BE ALLOWED DURING TRANSPORTATION

		深圳市华德共创科技有限公司 Shenzhen Huade co-create Technology Co., LTD 电话: 0755-27111216 传真: 0755-29940187			
		TITLE: HDMI A TYPE母座沉板3.75MM卧式贴板 产品名称:			
-TOLERANCES- UNLESS OTHERWISE SPECIFIED 公差参数表				PART NO: HDMI-DB-127PB 产品编号:	
X.X	±0.30	X.X*	±3°	APPD: 核准:	
X.XX	±0.20	X.XX*	±2°	CHECK: 校对: 王建业	DATE
X.XXX	±0.10	X.XXX*	±1°	DRAW: 绘图: 黄艳兰	SCALE UNIT CODE NUMBER
				2016-03-12	1:1 mm A001