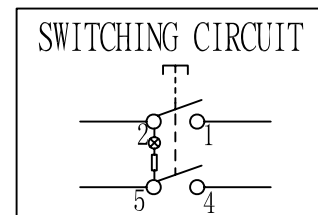
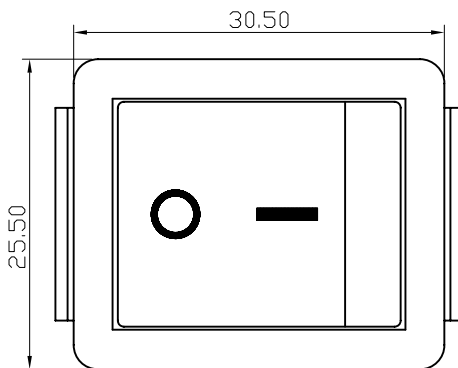


PANEL CUT-OUT

PANEL CUT-OUT		
Z	Y	X
0.70~1.25	21.90~22.10	28.9~29.1
1.25~2.00	21.90~22.10	29.1~29.2
2.00~3.00	21.90~22.10	29.2~29.3



NOTES:

1.Rating:

- VDE ENEC 16(4)A 250V AC T85/55
- KC 16(4)A 250V AC T85/55
- CQC 16(4)A 250V AC T105/55
- UL cUL 16GPA 125V AC
- 16GPA 250V AC T105/55

2.Circuit Diagram:4P ON-OFF

3.Terminal Strength:≥80N

4.Electrical life:≥10000 cycles

5.Withstand Voltage:Withstand Voltage:1500VAC 1min
Terminals to Button:3000VAC 1min
Leakage Current:1mA

6.Current resistance:≤50mΩ(initial)

7.Insulation resistance:≥100MΩ

8.Body Materil:NYLON 66 94V-0~2

A4				普通公差:	深圳市富港科技有限公司							
A3				COMMON TOLERANCE :								
A2				UP TO 5	±0.20	单位	mm	投影	品名	船型开关	比例	Free
A1				ABOVE 5 TO 30	±0.30	绘图		核 对	型号	FG-RS606-201N011CRB	SCALE	
				ABOVE 30	±0.50	DRAWN BY		核 准	图号			
REV.	DATE	REVISION DESCRIPTION	ISSUE	ANGULAR	±5°	日期		核 准	图号			
						DATE		APPROVAL BY	DWG NO.			