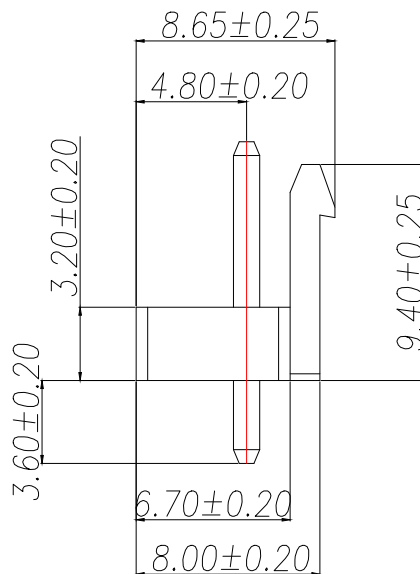
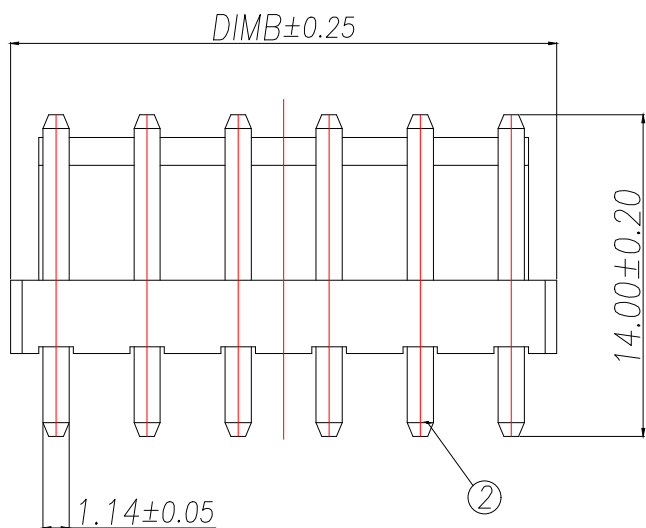
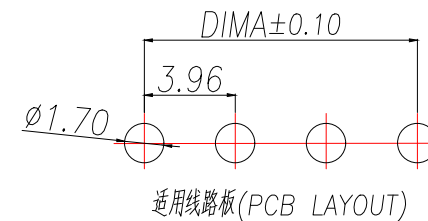


Technical Index:
 1. Temperature range: $-25^{\circ}\text{C}\sim 85^{\circ}\text{C}$.
 2. Rated voltage: 250V
 DC/AC(rms).
 3. Rated current: 7.0A.
 4. Contact resistance: $\leq 20\text{m}\Omega$.
 5. Withstanding voltage: 1500V AC/minute.
 6. Insulation resistance: $\geq 1000\text{M}\Omega$.



Part No	Pin	A	B
ZX-VH3.96-2PZZ-GW	2	3.96	7.92
ZX-VH3.96-3PZZ-GW	3	7.92	11.88
ZX-VH3.96-4PZZ-GW	4	11.88	15.84
ZX-VH3.96-5PZZ-GW	5	15.84	19.80
ZX-VH3.96-6PZZ-GW	6	19.80	23.76
ZX-VH3.96-7PZZ-GW	7	23.76	27.72
ZX-VH3.96-8PZZ-GW	8	27.72	31.68
ZX-VH3.96-9PZZ-GW	9	31.68	35.64
ZX-VH3.96-10PZZ-GW	10	35.64	39.60
ZX-VH3.96-11PZZ-GW	11	39.60	43.56
ZX-VH3.96-12PZZ-GW	12	43.56	47.52
ZX-VH3.96-13PZZ-GW	13	47.52	51.48
ZX-VH3.96-14PZZ-GW	14	51.48	55.44
ZX-VH3.96-15PZZ-GW	15	55.44	59.40
ZX-VH3.96-16PZZ-GW	16	59.40	63.36

序号	品名	材质	制图 DRAWN	变更内容 DESCRIPTION	日期 DATE	GENERAL TOLERANCE		制图 DRAWING	ROSE	料号 PART NO.	ZX-VH3.96-NPZZ-GW	版本 REV.	A
						.X±0.50	X'::±5°						
1	VH3.96 嵌芯	PA66 UL94V-2 Beige				.XX±0.20	X.X'::±3°	核准 APPROVAL	JOHN	客户料号 CUTM.NO.			
2	VH3.96 直针 端子	Copper Alloy/ Tin Plating				.XXX±0.10	X.XX'::±1°	单位 UNITS	MM	比例 SCALE	1:1		