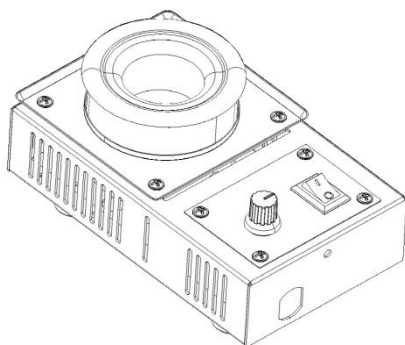




# QUICK 100-4C Lead-free Solder Pot

## Instruction Manual



**Thank you for purchasing our products. Please keep the instruction manual properly for future reference.**



# Contents

1. Safety Instructions.....	1
2. Overview.....	1
3. Product Characteristics.....	2
4. Product Specifications.....	3
5. Functional Descriptions.....	4
5.1. Dimensions.....	4
5.2. Part Descriptions.....	5
6. Operation.....	6
7. Temperature Calibration.....	7
8. Troubleshooting.....	8
9. Maintenance .....	9
10. Replace the solder pot .....	10



# 1.Safety Instructions



## CAUTION

- During the installation and use of this product, all electrical safety regulations of the country and regions must be strictly observed.
- The power supply must be disconnected when disassembling the product. Do not operate with power on.
- If the product does not work properly, please contact the supplier or our company, and do not disassemble or change the product in any way. We are not responsible for any problems caused by unauthorized maintenance or modification.



## WARNING

- The product should be used away from places where there is magnetic interference.
- Don't install the product in a place where the surface is easy to shake or be impacted, as it may damage the product.
- Don't install the product in places where it may be exposed to rain or moisture.
- Don't use in flammable and explosive environments.
- In the process of working or when the solder pot is not fully cooled, do not touch the metal parts around the pot to avoid scalding.
- High temperature state (above 400 °C) is easy to oxidize the surface of the soldering layer, which is not conducive to soldering. At the same time, high temperature working state will also shorten the life of the solder pot, so it should work at a lower temperature as far as possible.
- When using a solder pot to melt the solder for the first time, please set a lower temperature (such as 300 °C) until the temperature is stable, and then set a higher temperature (such as 400 °C).
- When it is not in use, please turn off the power to prolong its life.
- Please unplug the power cord when the product is not used for a long time.

## **2.Overview**

The control circuit of the solder pot adopts sensor closed-loop temperature control, which is accurate and stable. The solder pot is with a long service life and is suitable for lead-free operation. The solder pot heating element surrounds the pot, and is with high thermal efficiency, fast temperature rise and small temperature fluctuation. In the structural design, the factors such as heat conduction, heat insulation and heat preservation are fully considered to avoid the loss of heat and the influence of high temperature on the solder pot parts, circuit boards and components. Therefore, this solder pot is an electronic tool with reasonable structure, rigorous and excellent performance.

## **3.Product Characteristics**

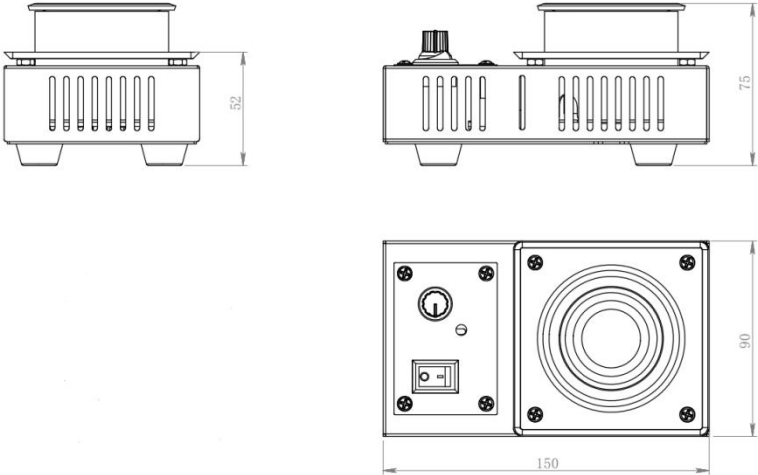
- Sensor closed-loop temperature control.
- Long service life, suitable for lead-free operation.
- Quick temperature rise, with accurate and stable temperature.
- Reasonable and exquisite structure, light weight.
- Simple and convenient to use.

## 4.Product Specifications

Model	100-4C
Power consumption	200W
Voltage	AC 110V/220V/230V/240V
Solder pot size	Φ36*32 (H) mm
Temperature range	150~500°C
Temperature stability	±5°C
Dimensions(L*W*H)	150*90*75mm
Weight	About 0.9kg

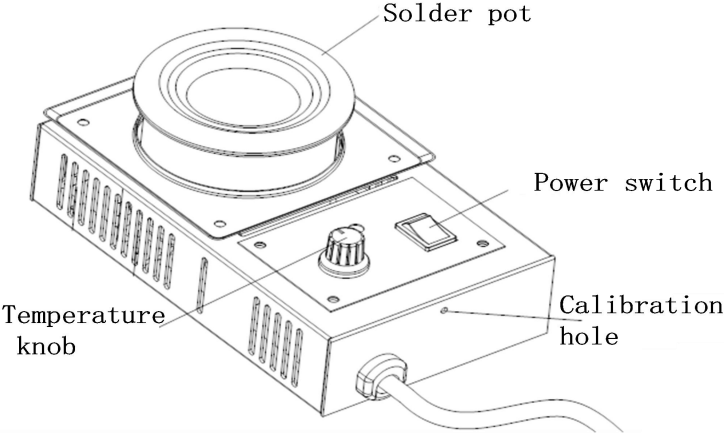
# 5.Functional Descriptions

## 5. 1. Dimensions



Unit: mm

## 5. 2. Part Descriptions



## 6.Operation

### △Note:

**Before use please confirm whether the power supply voltage is consistent with the rated voltage value on the product label.**

- 1) Place the solder pot on the flat workbench that is resistant to high temperatures and is flame retardant, or place a metal backing plate at the bottom of the solder pot.
- 2) Place an appropriate amount of solder in the solder pot, which is about 5mm below the highest point of the solder pot.
- 3) Insert the power plug into the power socket.
- 4) Turn on the power switch "POWER" on the panel, and the solder pot begins to heat, at this time the red indicator light is on.
- 5) Adjust the temperature knob on the panel to the requested scale.
- 6) It will take a period of time to melt the solder (for example, it takes about 10 minutes to rise from room temperature of 25 °C to 300 °C). When the solder is completely melted and the temperature is constant, the red indicator light flashes or darkens, and then the operation can be started. If there is oxide floating on the solder surface, remove the oxide before use.
- 7) Please turn off the power switch of the pot after using.

## 7. Temperature Calibration

The temperature should be calibrated after the heater or solder pot is replaced.

- 1) Set the solder pot temperature to 300°C.
- 2) After the temperature is stable, immerse the external sensor temperature measuring head of temperature tester into the solder pot, and observe the reading value after the displayed temperature is stable.
- 3) If the displayed temperature tester is not 300°C, adjust the potentiometer in the temperature calibration hole with a small (+) screwdriver until the temperature tester shows 300°C (consistent with the setting temperature of the solder pot).
- 4) If there is still an error in temperature, please repeat the calibration.

Note: \* It is recommended to use QUICK 191/192 to measure the temperature.

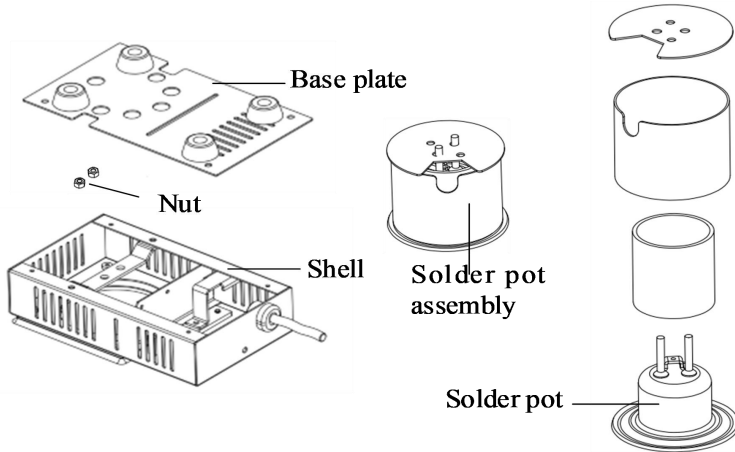
## 8.Troubleshooting

NO.	Error display	Troubleshooting
1	If the setting temperature is high, after heating for a period of time, the solder temperature is still room temperature, and red indicator light is on.	The heater may be damaged
2	If the power supply is connected, the indicator light is neither on nor heated, and the power supply is normal and the fuse is not broken.	The sensor may be damaged

## 9.Maintenance

Frequency	Description
Every day	Clean the tin slag on the surface of the solder pot.
Every week	<ol style="list-style-type: none"><li data-bbox="404 467 994 534">1. Clean the residual soldering flux on the surface of the solder pot with alcohol.</li><li data-bbox="404 561 994 628">2. Use external sensors to measure the temperature of the solder pot.</li></ol>
Every six months or one year	Empty the solder pot and thoroughly clean the interior of the solder pot. Check for any signs of corrosion to determine if replacement is necessary.

## 10. Replace the solder pot



- 1) Remove the 4 screws that secure the base plate and remove the base plate.
- 2) Unscrew the nut that secures the solder pot assembly to the housing.
- 3) Unplug the mating connections of the heater and sensor separately.
- 4) Remove the solder pot assembly.

 **Note: In case the heater or sensor is damaged, find a specialist or contact distributor or manufacturer for maintenance.**

## Warranty Card

●The warranty period of this product is calculated from the date of Purchase. During the warranty period, if the product breaks down during normal use, show the original warranty card and enjoy free service in the authorized repair company(or our company).

Please keep the purchase certificate and this warranty card and show it before maintenance.

●During the warranty period, the following repairs need to be paid:

- a.Unable to offer valid warranty card or certificate;
- b.The purchase date, sales company and other items are not completely filled or the warranty card is altered;
- c.Damage caused by failure to follow the use methods and precautions in the manual;
- d.Damage caused by disassembly, repair and modification of products without authorization of the manufacturer;
- e.Replacement of vulnerable and consumable parts.

●All items of the warranty card shall be completely filled in by the agent or user to obtain a 12-month warranty period.

●Please keep this warranty card properly It will not be re-offered after.

## Warranty Card

Type: \_\_\_\_\_

Model No.: \_\_\_\_\_

Serial No.: \_\_\_\_\_

Delivery Date: \_\_\_\_\_

## Warranty File Card

Type: \_\_\_\_\_

Model No.: \_\_\_\_\_

Serial No.: \_\_\_\_\_

Delivery Date: \_\_\_\_\_

Address : \_\_\_\_\_

Postcode: \_\_\_\_\_

Telephone: \_\_\_\_\_

Contact Person: \_\_\_\_\_

QUICK INTELLIGENT EQUIPMENT CO., LTD.

ADD: NO.11, FengXiang Road, Wujin  
High-Tech Industrial Development Zone,  
Jiangsu, China

TEL: 86-519-86225678

FAX: 86-519-86558599

POSTCODE: 213167

WEBSITE: [www.quick-global.com](http://www.quick-global.com)

