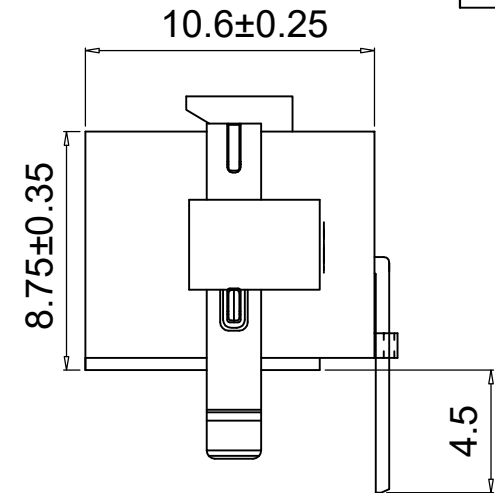
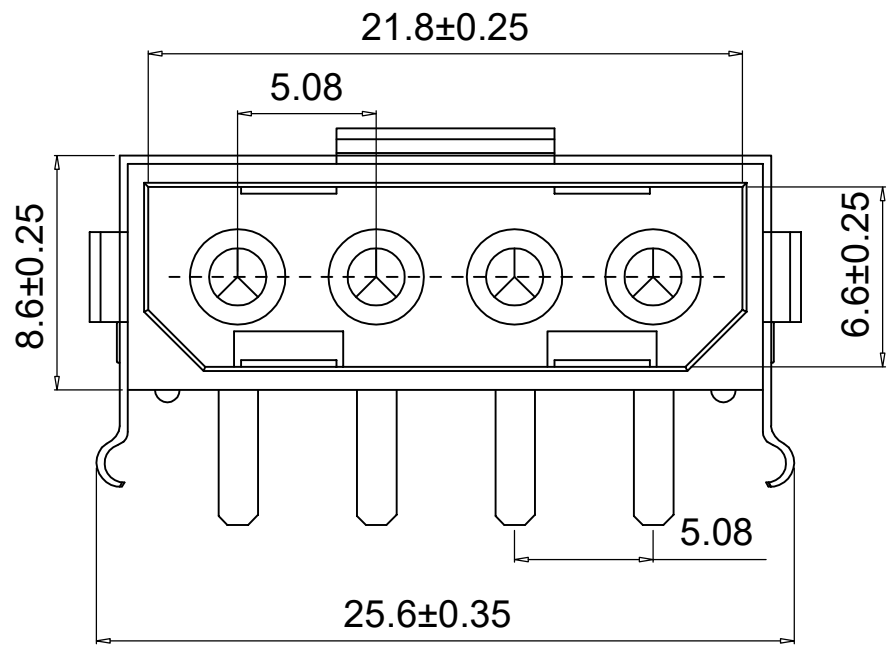
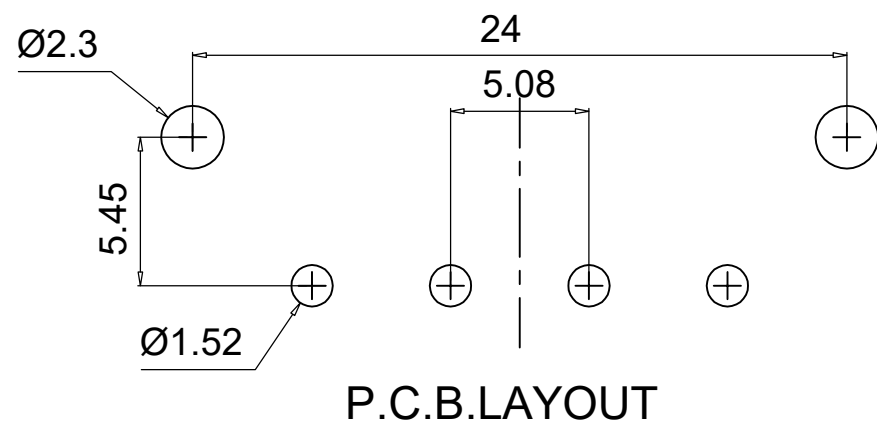


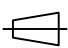


| 修订<br>REV<br>NO | 标记<br>MARK | 修改摘要<br>REVISION DESCRIPTION | 签名<br>SIGNATURE | 日期<br>DATE |
|-----------------|------------|------------------------------|-----------------|------------|
|                 |            | NEW DWG                      |                 | 2016-03-12 |



Specifications  
 Material: Nylon 4T,  
 Pitch: 5.8mm<.049">  
 Temperature Range 工作温度: -25 °C~+85 C  
 Current Rating 额定电流: 10A AC,DC  
 Voltage Rating 额定电压: 250V AC,DC  
 Withstand Voltage 耐压值: 1500V AC/minute  
 Contact Resistance 接触电阻: 10M Max  
 Insulation Resistance 绝缘电阻: 1000M Min  
 Mates With ZL



|                                                                                                                                                                                           |       |                                                                                                                                                                             |     |                                 |             |
|-------------------------------------------------------------------------------------------------------------------------------------------------------------------------------------------|-------|-----------------------------------------------------------------------------------------------------------------------------------------------------------------------------|-----|---------------------------------|-------------|
|  深圳市华德共创科技有限公司<br>Shenzhen Huade co-create Technology Co.,LTD<br>电话: 0755-27111216 传真: 0755-29940187 |       | TITLE:<br>产品名称: 5.08带柱弯针包铁壳黑色90度大四P                                                                                                                                         |     |                                 |             |
| -TOLERANCES-<br>UNLESS OTHERWISE SPECIFIED<br>公差参数表                                                                                                                                       |       |   |     | PART NO:<br>产品编号: HDGC5083WR-4P |             |
| X.X                                                                                                                                                                                       | ±0.30 | X.X*                                                                                                                                                                        | ±3° | APPD:<br>核准:                    |             |
| X.XX                                                                                                                                                                                      | ±0.20 | X.XX*                                                                                                                                                                       | ±2° | CHECK:<br>校对: 王建业               | DATE        |
| X.XXX                                                                                                                                                                                     | ±0.10 | X.XXX*                                                                                                                                                                      | ±1° | DRAW:<br>绘图: 黄艳兰                | SCALE       |
|                                                                                                                                                                                           |       |                                                                                                                                                                             |     | 2016-03-12                      | UNIT        |
|                                                                                                                                                                                           |       |                                                                                                                                                                             |     | 1:1                             | CODE NUMBER |
|                                                                                                                                                                                           |       |                                                                                                                                                                             |     | mm                              | A001        |

由 Autodesk 教育版产品制作

由 Autodesk 教育版产品制作