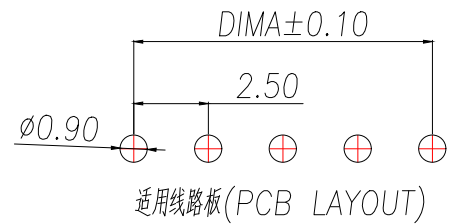
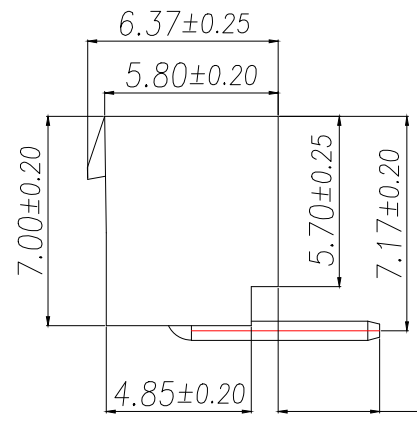
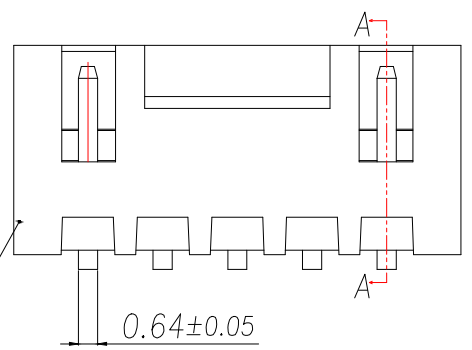


SECTION A-A



- Technical Index:
1. Temperature range:  $-25^{\circ}\text{C}\sim 85^{\circ}\text{C}$ .
  2. Rated voltage: 250V DC/AC(rms).
  3. Rated current: 3.0A.
  4. Contact resistance:  $\leq 20\text{m}\Omega$ .
  5. Withstanding voltage: 1000V AC/minute.
  6. Insulation resistance:  $\geq 1000\text{M}\Omega$ .
  7. Welding temperature:  $255^{+5}_{-5}$

Part No	Pin	A	B
ZX-HA2.54-2PWZ-R	2	2.5	7.5
ZX-HA2.54-3PWZ-R	3	5.0	10.0
ZX-HA2.54-4PWZ-R	4	7.5	12.5
ZX-HA2.54-5PWZ-R	5	10.0	15.0
ZX-HA2.54-6PWZ-R	6	12.5	17.5
ZX-HA2.54-7PWZ-R	7	15.0	20.0
ZX-HA2.54-8PWZ-R	8	17.5	22.5
ZX-HA2.54-9PWZ-R	9	20.0	25.0
ZX-HA2.54-10PWZ-R	10	22.5	27.5
ZX-HA2.54-11PWZ-R	11	25.0	30.0
ZX-HA2.54-12PWZ-R	12	27.5	32.5
ZX-HA2.54-13PWZ-R	13	30.0	35.0
ZX-HA2.54-14PWZ-R	14	32.5	37.5
ZX-HA2.54-15PWZ-R	15	35.0	40.0
ZX-HA2.54-16PWZ-R	16	37.5	42.5
ZX-HA2.54-17PWZ-R	17	40.0	45.0

序号	品名	材质
1	XH2.5 底座	PA66 UL94V-2 Red
2	XH2.5 弯针 端子	Copper Alloy/ Tin Plating

制图 DRAWN	变更内容 DESCRIPTION	日期 DATE	GENERAL TOLERANCE	制图 DRAWING	ROSE
			X.:±0.50 X'.:±5'	审核 CHECK	LEO
			.X:±0.20 X.X':±3'	核准 APPROVAL	JOHN
			.XX:±0.10 X.XX':±1'	单位 UNITS	MM
				比例 SCALE	1:1

料号 PART NO.	ZX-HA2.54-NPWZ-R	版本 REV.	A
品名 TITLE	HA2.5 弯针带扣	页次 SHEET	1/1
客户料号 CUTM.NO.			
兆星精密电子(深圳)有限公司 ShenZhen ZhaoXing Precision electronics Co., Ltd.			