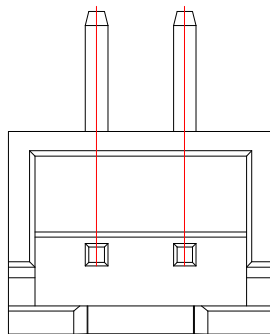
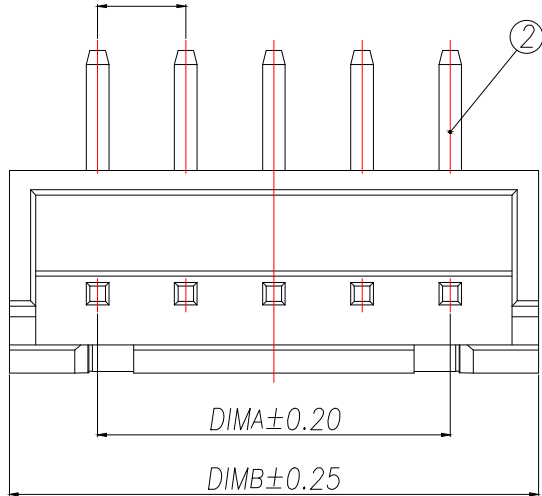
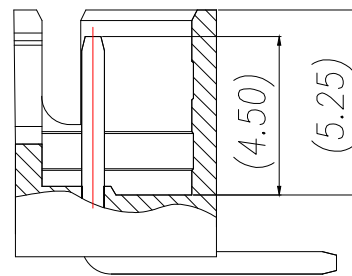


2.50±0.15(PITCH)

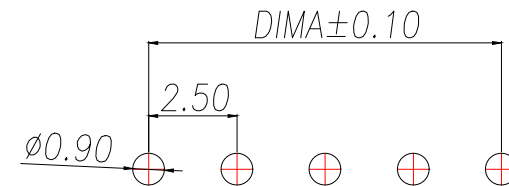


2 Pin 样式

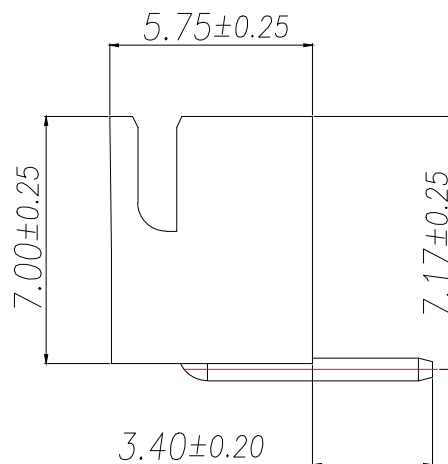
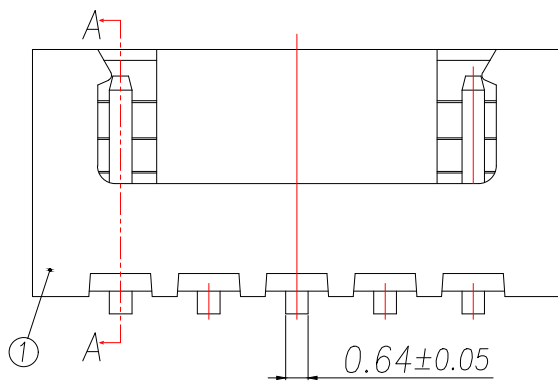


SECTION A-A

- Technical Index:
1. Temperature range: -25°C~85°C.
 2. Rated voltage: 250V DC/AC(rms).
 3. Rated current: 3.0A.
 4. Contact resistance: ≤20mΩ.
 5. Withstanding voltage: 1000V AC/minute.
 6. Insulation resistance: ≥1000MΩ.



适用线路板(PCB LAYOUT)



Part No	Pin	A	B
ZX-XH2.54-2PWZ-Y	2	2.5	7.5
ZX-XH2.54-3PWZ-Y	3	5.0	10.0
ZX-XH2.54-4PWZ-Y	4	7.5	12.5
ZX-XH2.54-5PWZ-Y	5	10.0	15.0
ZX-XH2.54-6PWZ-Y	6	12.5	17.5
ZX-XH2.54-7PWZ-Y	7	15.0	20.0
ZX-XH2.54-8PWZ-Y	8	17.5	22.5
ZX-XH2.54-9PWZ-Y	9	20.0	25.0
ZX-XH2.54-10PWZ-Y	10	22.5	27.5
ZX-XH2.54-11PWZ-Y	11	25.0	30.0
ZX-XH2.54-12PWZ-Y	12	27.5	32.5
ZX-XH2.54-13PWZ-Y	13	30.0	35.0
ZX-XH2.54-14PWZ-Y	14	32.5	37.5
ZX-XH2.54-15PWZ-Y	15	35.0	40.0
ZX-XH2.54-16PWZ-Y	16	37.5	42.5

序号	品名	材质	制图 DRAWN	变更内容 DESCRIPTION	日期 DATE	GENERAL TOLERANCE		制图 DRAWING	ROSE	料号 PART NO.	ZX-XH2.54-NPWZ-Y	版本 REV.	A
						.X±0.50	X°.±5°						
1	XH2.5 胶芯	PA66 UL94V-2 Yellow				.XX±0.20	X.X°.±3°	核准 APPROVAL <td>JOHN <td>客户料号 CUTM.NO.</td> <td></td> <td></td> <td></td> </td>	JOHN <td>客户料号 CUTM.NO.</td> <td></td> <td></td> <td></td>	客户料号 CUTM.NO.			
2	XH2.5 弯针 端子	Copper Alloy/ Tin Plating				.XXX±0.10	X.XX°.±1°	单位 UNITS	MM	比例 SCALE	1:1		