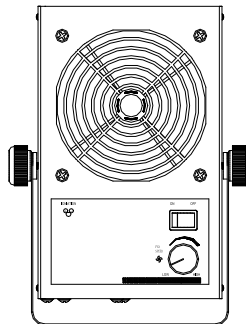




QUICK 440A/440D STATIC ELIMINATOR

Instruction Manual



Thank you for purchasing our products. Please keep the instruction manual properly for future reference.

Contents

1. Safety Instructions.....	1
2. Overview.....	2
3. Product Characteristics.....	2
4. Product Specifications.....	3
5. Static Eliminating Time Testing.....	4
6. Functional Descriptions.....	5
6.1. Dimensions.....	5
6.2. Part Descriptions.....	6
7. Installation.....	7
8. Operation.....	7
9. Maintenance.....	7
10. Troubleshooting.....	8

1.Safety Instructions



CAUTION

- During the installation and use of this product, all electrical safety regulations of the country and regions must be strictly observed.
- The power supply must be disconnected when disassembling the product. Do not operate with power on.
- If the product does not work properly, please contact the supplier or our company, and do not disassemble or change the product in any way. We are not responsible for any problems caused by unauthorized maintenance or modification.



WARNING

- The product should be used away from places where there is magnetic interference.
- Don't install the product in a place where the surface is easy to shake or be impacted, as it may damage the product.
- Don't place the product in places where it may be exposed to rain or moisture.
- Don't use in flammable and explosive environments.
- After power on, don't touch the ion emitter.
- Please keep the air outlet and inlet unblocked and ensure there is no obstruction.
- In order to avoid electric shock and ensure the performance of static elimination, please make sure the ion grounding terminal is completely grounded.
- Please unplug the power cord when the product is not used for a long time.

2.Overview

The portable desktop static eliminator is designed to eliminate static electricity of some sensitive electronic components. It can be used for inspection, assembly, test and laboratory, and can also be used in some situations where electrostatic charges are problematic, for example: adsorption of dust on products.

3.Product Characteristics

- Compact design, small and light, portable with adjustable airflow angle.
- Large area of ionizing air, quickly neutralizes static charges.
- Speed of fan adjustable, can generate large-area ion stream.
- The ion output is balanced and stable.
- The output ion is automatically balanced and indicated by the indicator light.
- Magnetic leakage transformer is adopted, long life, short-circuit proof.
- Built-in emitter cleaner, easy cleaning.
- Durable metal case.
- 440D adopts stainless steel housing, which is more suitable for clean room and clean workshop.


4.Product Specifications

Product Model	440A/440D
Power Consumption	12W (Max)
Ion Balance	±10V
Operation Ambient	0~50°C, 40%~60%RH
High-voltage Output	DC 5.6KV(Max)
Effective Range	400*1500mm
Audible Noise	<45dB
Dimension(L*W*H)	206.5*122.5*254.5mm
Weight	About 2.9 kg

5.Static Eliminating Time Testing

Static eliminating time(S):

Fan Speed – High

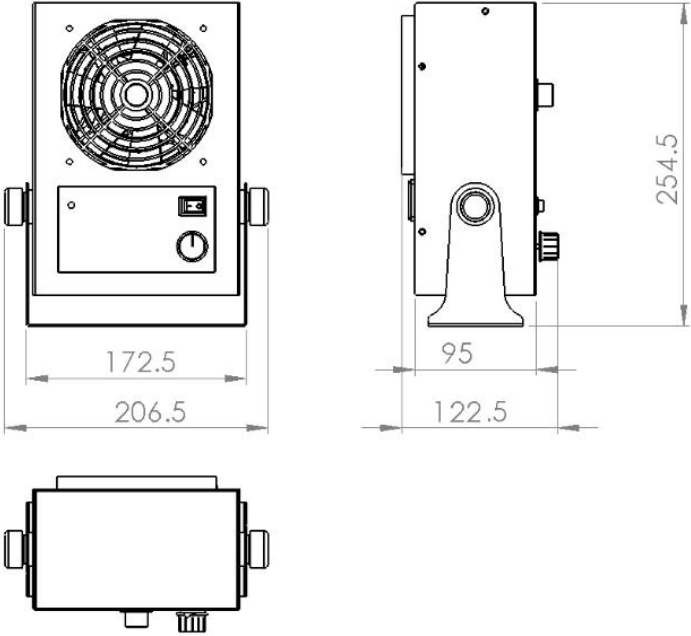
	30cm	60cm	90cm	120cm	
	2.7	3.5	5.7	6.7	15cm
	1.2	2.4	4.2	6.1	Center Line
	2.7	3.5	5.7	6.7	15cm

Note: Test steps should be proceeded in the environment of $22\pm 2^{\circ}\text{C}$ & $45\pm 5\%$ RH.

- 1) The ion balance and static eliminating time are tested with an electrostatic tester according to the ion standard of the American ESD Association (in line with the international ESD standard ANSI/ESD-S20.20-2021).
- 2) The static eliminating time from 1000V to 100V tested according to the position in the table above.
- 3) The test value will vary with difference of temperature, humidity, air pressure and ambient environment.

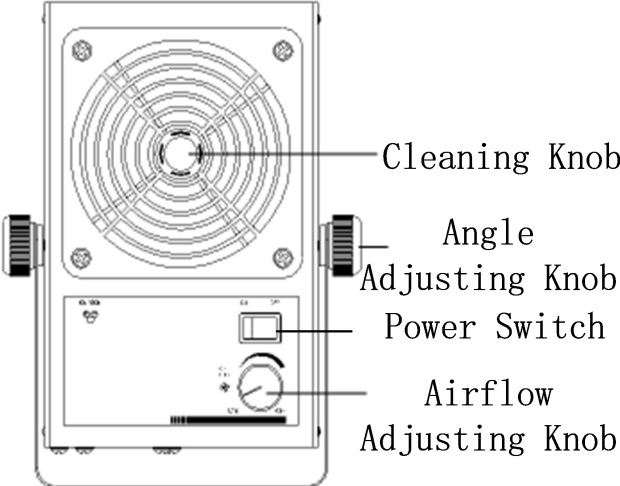
6.Functional Descriptions

6.1. Dimensions



Unit: mm

6.2. Part Descriptions



7. Installation

- 1) The base of the static eliminator can be directly placed on the workbench or fixed on the wall and partition.
- 2) When using the static eliminator, it should be placed in working area where static electricity need to be eliminated. The ion air should cover a large area as much as possible, and it should be about 300-900mm away from the object to be eliminated.

8. Operation

- 1) Turn on the power switch to start the static eliminator. The indicator light will show the generation of the ion airflow.
- 2) Adjust the airflow speed to the required speed through "Airflow Adjusting Knob".
- 3) You can adjust the airflow direction by loosening the "Angle Adjusting Knob", tilting it to the required direction, and then tighten the "Angle Adjusting Knob" to complete.
- 4) The static eliminator has a heating device, if comfortable warm air is required, please turn on the "Heating Switch".

9. Maintenance

Ion emitter cleaning (Cleaning twice a week is recommended).

To make the static eliminator work more efficiently, the ion emitter needs to be cleaned. By turning the "Cleaning Knob" clockwise to the bottom and then releasing it (about one circle), the pin of the ion emitter is cleaned.

Clean the filter

Remove the filter mesh from the back of the static eliminator, separate the mesh from the sponge, and clean and replace it regularly.

Ion balance measurement

It is recommended to use the 432A charge plate monitor to measure.

Ion balance adjustment

Use an insulated Phillips screwdriver to adjust the balance adjustment potentiometer on the back of the static eliminator.

Ion output measurement

Measure the static eliminating time and ion balance with the 432A charge plate monitor.

10.Troubleshooting

ERROR: The air is flowing but the static is not eliminated or the ion balance deviation is too large.

CHECK①: Does the dust or other objects cover the ion emitter?

ACTION: Clean the ion emitter.

CHECK②: Is the ion balance deviation too large?

ACTION: Adjust the ion balance.

⚠Note: If the problem cannot be solved according to the above list, please contact our company or local agent.

Warranty Card

●The warranty period of this product is calculated from the date of Purchase. During the warranty period, if the product breaks down during normal use, show the original warranty card and enjoy free service in the authorized repair company(or our company). Please keep the purchase certificate and this warranty card and show it before maintenance.

●During the warranty period, the following repairs need to be paid:

- a.Unable to offer valid warranty card or certificate;
- b.The purchase date, sales company and other items are not completely filled or the warranty card is altered;
- c.Damage caused by failure to follow the use methods and precautions in the manual;
- d.Damage caused by disassembly, repair and modification of products without authorization of the manufacturer;
- e.Replacement of vulnerable and consumable parts.

●All items of the warranty card shall be completely filled in by the agent or user to obtain a 12-month warranty period.

●Please keep this warranty card properly It will not be re-offered after.

QUICK INTELLIGENT EQUIPMENT
CO., LTD.

ADD: NO.11, FengXiang Road, Wujin
High-Tech Industrial Development
Zone, Jiangsu, China

TEL: 86-519-86225678

FAX: 86-519-86558599

POSTCODE: 213167

WEBSITE: www.quick-global.com

Warranty Card

Type: _____

Model No.: _____

Serial No.: _____

Delivery Date: _____

Warranty File Card

Type: _____

Model No.: _____

Serial No.: _____

Delivery Date: _____

Address : _____

Postcode: _____

Telephone: _____

Contact Person: _____

QUICK INTELLIGENT EQUIPMENT CO., LTD.

ADD: NO.11, FengXiang Road, Wujin
High-Tech Industrial Development Zone,
Jiangsu, China

TEL: 86-519-86225678

FAX: 86-519-86558599

POSTCODE: 213167

WEBSITE: www.quick-global.com

