

PIN ASSIGNMENT

PIN	1	2	3	4	5	6	7	8	9
NAME	VBUS	DM-	DP+	GND	RX-	RX+	GND	TX-	TX+



GT-3A012F-S N B G1

Detail

F=No flanging no column

Shell Material

S=Stainless steel

Shell Plated

N=Ni

Housing Colour

B=Blue(PA9T)

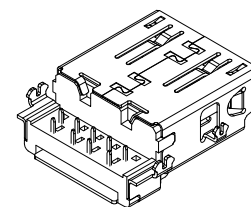
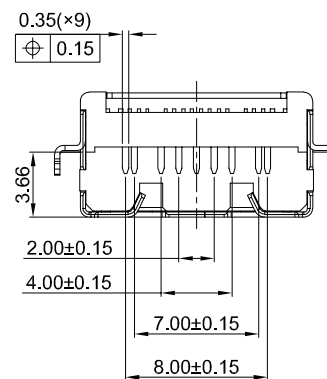
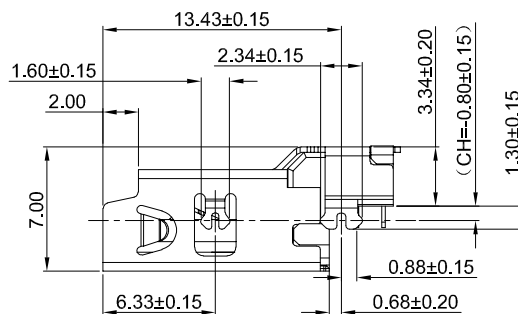
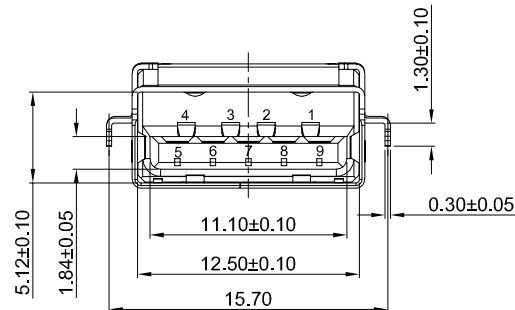
N=Black(LCP)

Terminal Plated

G1=1u"

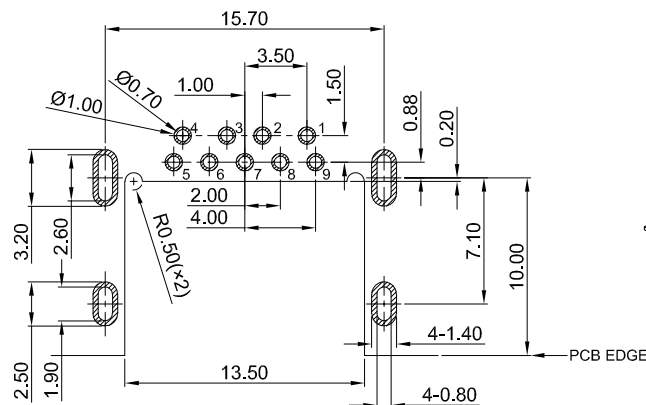
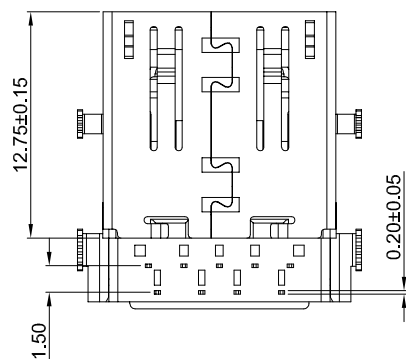
G15=15u"

G30=30u"



G-Switch USB-3.0 Specification:

- 1.Current rated: 1.8A 30V
- 2.Contact Resistance: 30mΩ Max
- 3.Insulation Resistance: 100MΩ Min
- 4.Dielectric Withstanding Voltage:500 V AC
- 5.Operating temperature: -40°C ~ +85°C
- 6.Mating force: 3.57kgf Max
- 7.Unmating force: 1.02kgf Min
- 8.Terminal Retention: 1.2kgf Min



RECOMMENDED PCB LAYOUT
TOLERANCE:±0.05

NO.	PARTS	MATERIAL	REMARKS
1	SHELL	STAINLESS STEEL 201	NI PLATED
2	HOUSING	LCP+PAT9+30%GF	BLACK/BLUE UL 94V-0
3	TERMINALS	COPPER ALLOY	Au1u" PLATED ON CONTACT AREA Tin PLATING ON SOLDER AREA



SCALE: 1:1 UNIT: mm
SIZE: A4

Title: Horizontal USB 3.0 AF DIP
Mid-Mount 3.66 CH=-0.80 L=16.35mm

Unless otherwise
General tolerance:

X.	±0.40
X.x	±0.35
X.xx	±0.25
X*	±3*

Molde Code: GT-3A012F-SNBG1			
DRAWN	CHECKED	APPROVED	DATE
Wu	Xia	Chen	2024.11.13



REV: A0 SHEET: 1/1