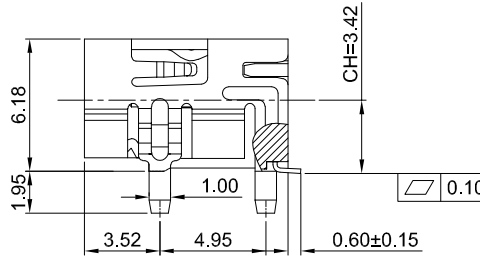
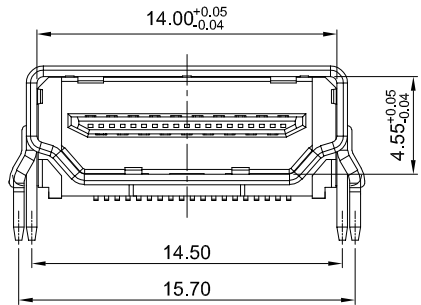
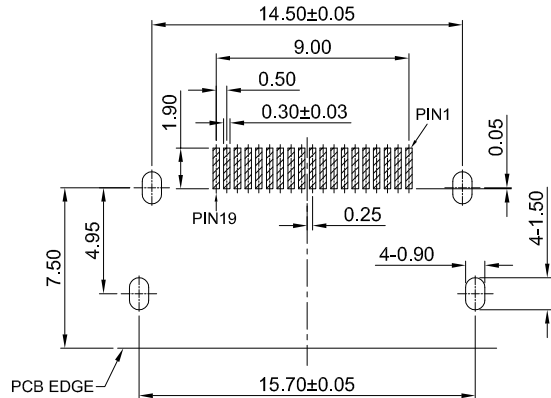
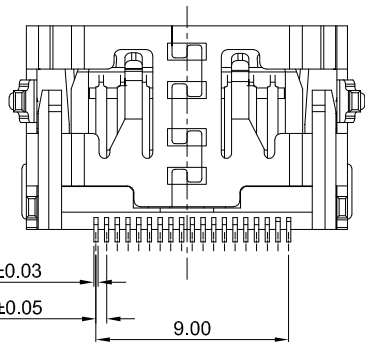


PIN	A Type Signal Assignment	PIN	A Type Signal Assignment
1	TMDS Data2+	11	TMDS Clock Shield
2	TMDS Data2 Shield	12	TMDS Clock-
3	TMDS Data2-	13	CEC
4	TMDS Data1+	14	Utility
5	TMDS Data1 Shield	15	SCL
6	TMDS Data1-	16	SDA
7	TMDS Data0+	17	DDC/CEC Ground
8	TMDS Data0 Shield	18	+5V Power
9	TMDS Data0-	19	Hot Plug Detect
10	TMDS Clock+		



GT-HD016A-F N N G1

- Detail**
A=SMT
- Shell Material**
F=Ferroalloy
- Shell Plating**
N=Ni
- Housing Colour**
N=Black
- Terminal Plating**
G0=G/F
G1=1u"
G3=3u"
G5=5u"



G-Switch HDMI Specification:

1. Current rated: 0.5A 5V AC/DC
2. Withstanding voltage: 500V AC/minute unmated
3. Contact resistance: 30mΩ Max
4. Insulation resistance: 100MΩ Min
5. Operating temperature: -40°C ~ +85°C
6. Mating force: 44.1N
7. Unmating force: 9.8N~39.2N, After durability: 3N~25N
8. Durability cycle: 10,000 cycles

PCB REFERENCE DIAGRAM
TOLERANCE: ±0.05

SCALE: 1:1 UNIT: mm
SIZE: A4

Unless otherwise
General tolerance:
X, ±0.40
X.x, ±0.30
X.xx, ±0.20
X*, ±3°

Title: Horizontal HDMI 19P AF 1.4
SMT CH=3.42 L=9.5mm

Molde Code: GT-HD016A-FNNG1			
DRAWN	CHECKED	APPROVED	DATE
Xla	Chen	Chen	2024.12.05



REV: A0 SHEET: 1/1

NO.	PARTS	MATERIAL	REMARKS
1	SHELL	SPCC	Ni PLATED
2	HOUSING	LCP	BLACK UL 94 V-0
3	TERMINALS	COPPER ALLOY C2680	Au1u" PLATING ON CONTACT AREA Tin PLATING ON SOLDER AREA

