

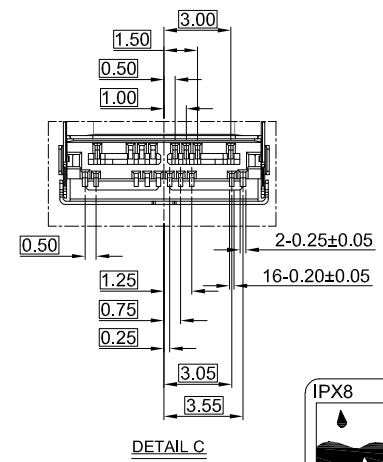
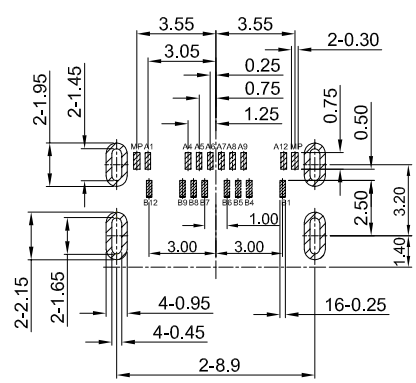
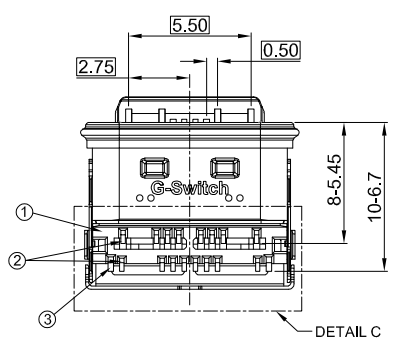
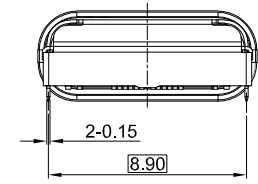
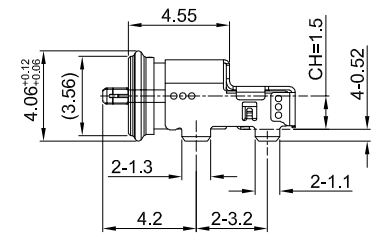
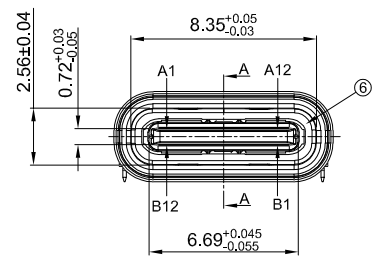
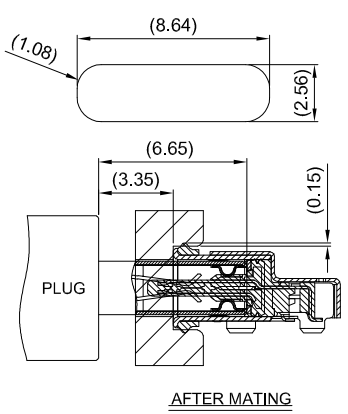
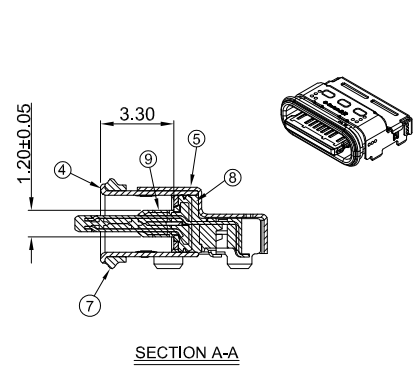
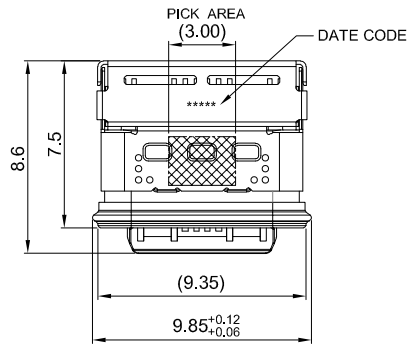


G-Switch USB-C Specification:

1. Current rated: 5A on vbus/1.25A on vconn/0.25A on other
2. Withstanding voltage: 100V AC/minute
3. Contact resistance: 40mΩ Max
4. Insulation resistance: 100MΩ Min
5. Operating temperature: -40°C ~ +85°C
6. Mating force: 5N~20N
7. Unmating force: 8N~20N
8. Durability cycle: 10,000 cycles
9. Waterproof grade: IP-X8.
10. Compliant with: IEC62680-1-3

USB IF TID:13854

A1	A2	A3	A4	A5	A6	A7	A8	A9	A10	A11	A12
GND			VBUS	CC1	D+	D-	SBU1	VBUS			GND
First			First	Second	Second	Second	Second	First			First
B12	B11	B10	B9	B8	B7	B6	B5	B4	B3	B2	B1
GND			VBUS	SBU2	D-	D+	CC2	VBUS			GND
First			First	Second	Second	Second	Second	First			First



PCB REFERENCE DIAGRAM
TOLERANCE:±0.05

DETAIL C

9	EMI	SUS301	Ni30u*MIN PLATED
8	ADHESIVE	EPOXY RESIN	BLACK
7	WATERPROOF RING	SILIGA GEL	A:60 BLACK
6	INSIDE PLATE	SUS304	--
5	OUT SHELL	SUS304	Ni30u*MIN PLATED
4	INNER SHELL	SUS316	--
3	MID PLATE	SUS301	--
2	TERMINALS	COPPER ALLOY C7025	Au3u*MIN PLATING ON CONTACT AREA Au1u*MIN PLATING ON SOLDER AREA
1	HOUSING	PA9T	BLACK UL 94 V-0
NO.	PARTS	MATERIAL	REMARKS



SCALE: 1:1 UNIT: mm
 SIZE: A4
 Unless otherwise General Tolerance:
 X. ±0.40
 X.x ±0.30
 X.xx ±0.20
 X.xxx ±0.10
 X* ±5°

Title: IPX8 Horizontal Type-c 16P Female SMT CH=1.5 L=7.5mm			
Molde Code: GT-USB-9045G			
DRAWN	CHECKED	APPROVED	DATE
Jiang	Xia	Chen	2024.10.11

品赞科技
b-Switch
 www.dg-switch.com

REV: A0 SHEET: 1/1

品赞电子(东莞)有限公司

品赞电子(东莞)有限公司