

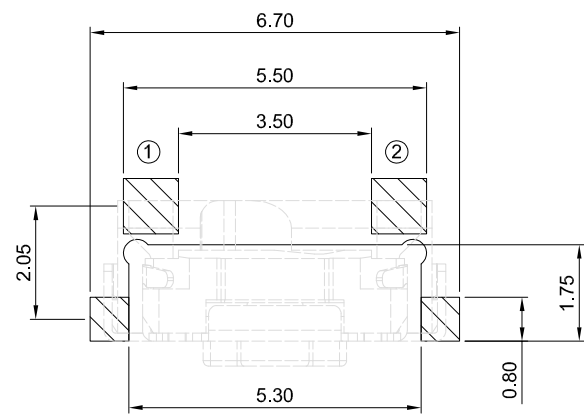
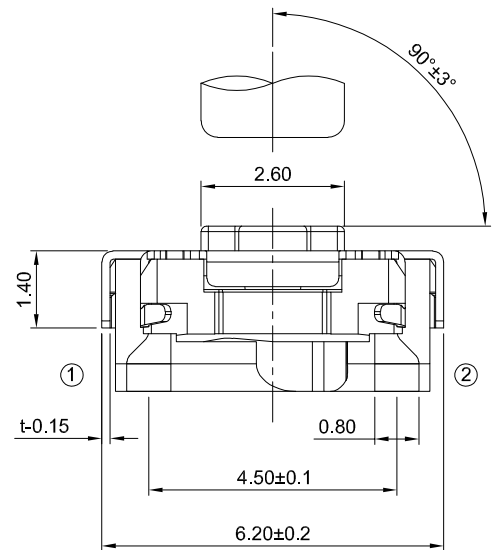
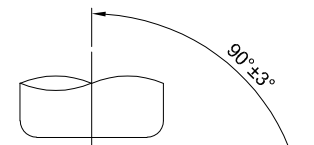
GT-TD036X-HXXX-LX

G-Switch
Operating Force
 A=160gf
 B=250gf
 D=300gf

Switch Height(mm)
 H030=3.0 (A=2.10)
 H035=3.5 (A=2.60)

Switch Lifetime
 L05=50,000 Cycles
 L1=100,000 Cycles
 L2=200,000 Cycles

Keying Tip Tilt

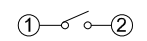


RECOMMENDED PCB LAYOUT
 TOLERANCE:±0.05

G-Switch Specification:

1. Operating temperature range: -40°C ~ +85°C
2. Rating: 50mA, 12V DC
3. Insulation resistance: 100MΩ min, 100V DC
4. Dielectric strength: 250V AC for 1 min
5. Contact resistance: 100mΩ max.
6. Travel: 0.15±0.1mm

6	STEM	LCP	WHITE
5	COVER	C5210	TINNED COPPER
4	TAPE	POLYIMIDE	YELLOW (TRANSPARENT)
3	CONTACT	STAINLESS STEEL 301	Ag PLATED
2	BASE	PPA	BLACK
1	TERMINAL	C5210	Ag PLATED
NO.	PART NAME	MATERIAL	REMARK



CIRCUIT DIAGRAM



SCALE: 1:1 UNIT: mm
 SIZE: A4

Unless otherwise General Tolerance:
 X. ±0.30
 X.x ±0.20
 X.xx ±0.10
 X* ±3°

Title: Horizontal Tact Switch Mid-Mount 2.15
 SMT CH=-0.40 6.2×3.5×Hmm

Molde Code: GT-TD036X-HXXX-LX

DRAWN	CHECKED	APPROVED	DATE
Jiang	Xia	Chen	2024.11.12



REV: A0 SHEET: 1/1