

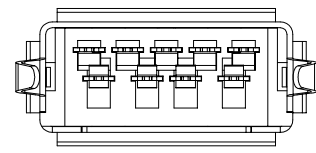
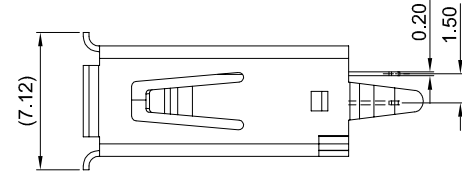
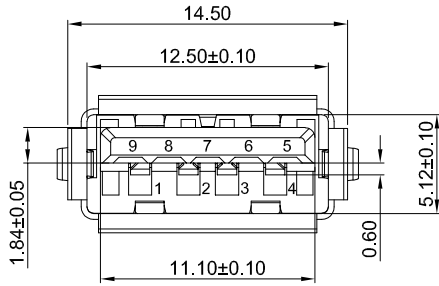
PIN ASSIGNMENT

PIN	1	2	3	4	5	6	7	8	9
NAME	VBUS	DM-	DP+	GND	RX-	RX+	GND	TX-	TX+

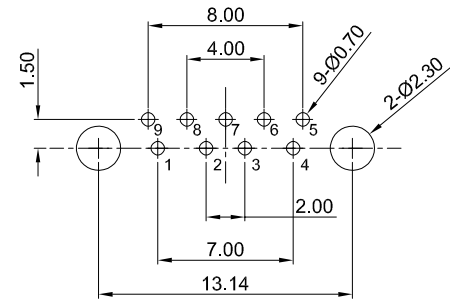
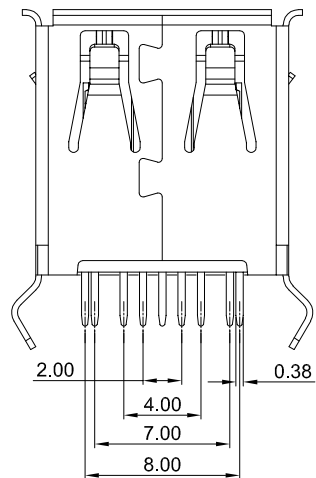


GT-3A014D XX-S N B GX

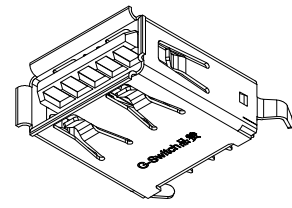
- Detail**
D=With flanging no column
Dim A
 01=13.75
 02=15.00
- Shell Material**
S=Stainless steel
- Shell Plated**
N=Ni
- Housing Colour**
B=Blue
- Terminal Plated**
G1=1u"
G3=3u"
...



- G-Switch USB-3.0 Specification:**
- Current rated: 1.8A 30V
 - Contact Resistance: 30mΩ Max
 - Insulation Resistance: 100MΩ Min
 - Dielectric Withstanding Voltage: 500 V AC
 - Operating temperature: -40°C ~ +85°C
 - Mating force: 3.57kgf Max
 - Unmating force: 1.02kgf Min
 - Terminal Retention: 1.2kgf Min



PCB REFERENCE DIAGRAM
TOLERANCE:±0.05



1	SHELL	STAINLESS STEEL 201	Ni PLATED
2	HOUSING	LCP	BLUE UL 94V-0
3	TERMINALS	C5191+C2680	Au PLATED ON CONTACT AREA Sn PLATED ON SOLDER AREA
NO.	PARTS	MATERIAL	REMARKS



SCALE: 1:1	UNIT: mm	Title: Vertical USB 3.0 AF DIP H=Dim mm			
SIZE: A4		Molde Code: GT-3A014DXX-SNBGX			
Unless otherwise General tolerance:		DRAWN	CHECKED	APPROVED	DATE
X	±0.40	Wu	Xia	Chen	2025.01.24
X.x	±0.30				
X.xx	±0.20				
X*	±3*				



REV: A0	SHEET: 1/1
---------	------------