

GT-TB037X-H026-LX

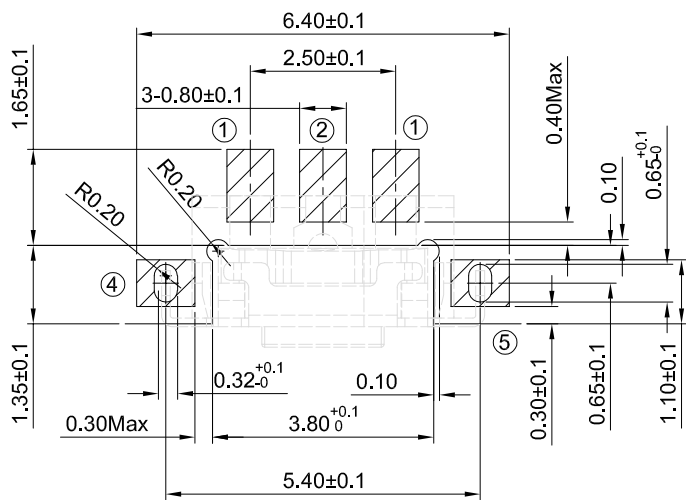
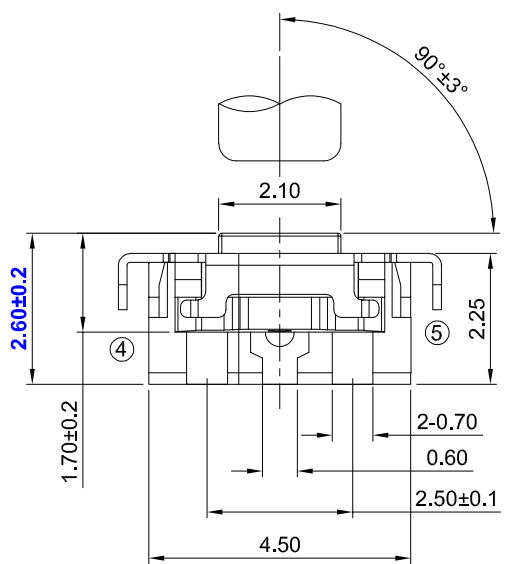
G-Switch

Operating Force
A=160gf
B=250gf

Switch Height(mm)
H026=2.6

Switch Lifetime
L1=100,000 Cycles
L2=200,000 Cycles

Keying Tip Tilt

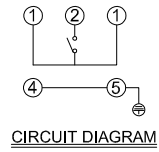


RECOMMENDED PCB LAYOUT
TOLERANCE:±0.05

G-Switch Specification:

1. Operating temperature range: -40°C ~ +85°C
2. Rating: 50mA, 12V DC
3. Insulation resistance: 100MΩ min, 100V DC
4. Dielectric strength: 250V AC for 1 min
5. Contact resistance: 100mΩ max.
6. Travel: 0.15±0.1mm

| | | | |
|-----|-----------|---------------------|----------------------|
| 6 | STEM | PPA | BLACK |
| 5 | COVER | SUS304 | Sn PLATED |
| 4 | TAPE | POLYIMIDE | YELLOW (TRANSPARENT) |
| 3 | CONTACT | STAINLESS STEEL 301 | Ag PLATED |
| 2 | BASE | PA9T | BLACK |
| 1 | TERMINAL | C5210 | Ag PLATED |
| NO. | PART NAME | MATERIAL | REMARK |



| | | | |
|-------------------------------------|-------|-------|----|
| SCALE: | 1:1 | UNIT: | mm |
| SIZE: | A4 | | |
| Unless otherwise General Tolerance: | | | |
| X. | ±0.30 | | |
| X.x | ±0.20 | | |
| X.xx | ±0.10 | | |
| X* | ±3° | | |

| | | | |
|---|---------|----------|------------|
| Title: Horizontal Tact Switch Mid-Mount 2.1 SMT CH=-0.63 5.55×2.90×Hmm | | | |
| Molde Code: GT-TB037X-HXXX-LX | | | |
| DRAWN | CHECKED | APPROVED | DATE |
| Jiang | Xia | Chen | 2024.03.10 |



| | | | |
|------|----|--------|-----|
| REV: | A0 | SHEET: | 1/1 |
|------|----|--------|-----|