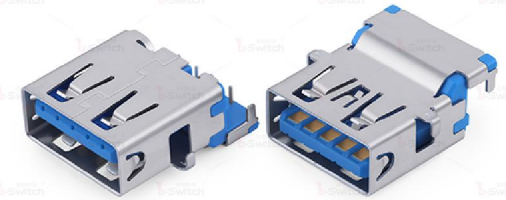


PIN ASSIGNMENT

PIN	1	2	3	4	5	6	7	8	9
NAME	VBUS	DM-	DP+	GND	RX-	RX+	GND	TX-	TX+



GT-3A011F-S N B G1

Detail

F=No flanging no column

Shell Material

S=Stainless steel

Shell Plated

N=Ni

Housing Colour

B=Blue(PA9T)

N=Black(LCP)

Terminal Plated

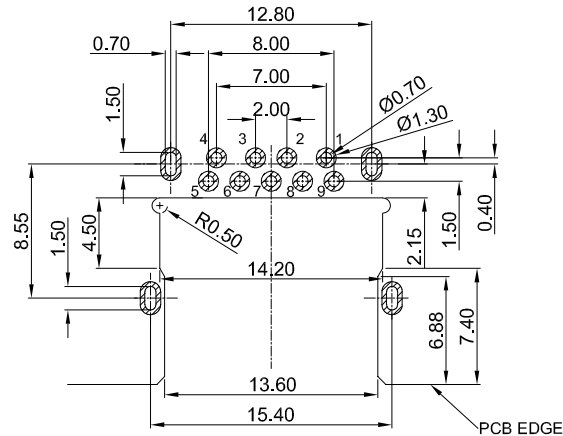
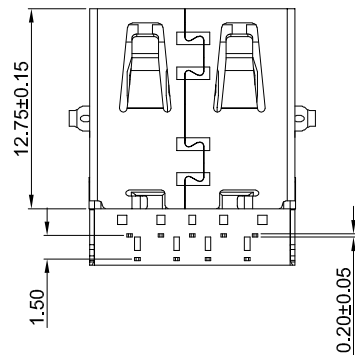
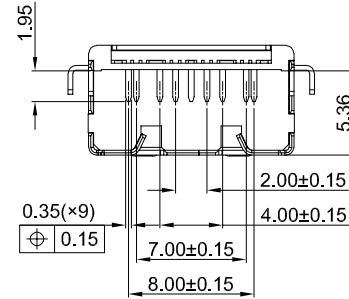
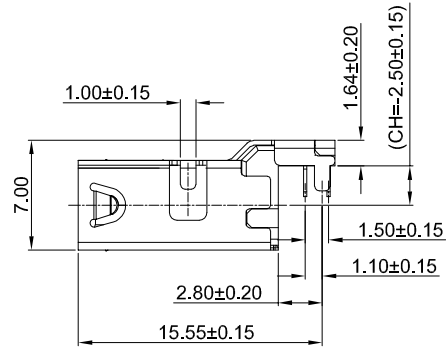
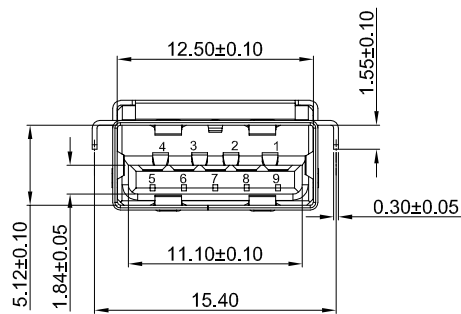
G1=1u"

G15=15u"

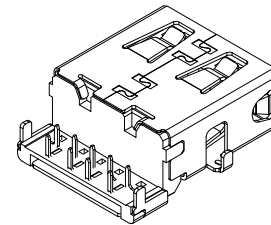
G30=30u"

G-Switch USB-3.0 Specification:

- 1.Current rated: 1.8A 30V
- 2.Contact Resistance: 30mΩ Max
- 3.Insulation Resistance: 100MΩ Min
- 4.Dielectric Withstanding Voltage:500 V AC
- 5.Operating temperature: -40°C ~ +85°C
- 6.Mating force: 3.57kgf Max
- 7.Unmating force: 1.02kgf Min
- 8.Terminal Retention: 1.2kgf Min



RECOMMENDED PCB LAYOUT
TOLERANCE:±0.05



SCALE: 1:1 UNIT: mm
SIZE: A4

Title: Horizontal USB 3.0 AF DIP
Mid-Mount 5.36 CH=-2.50 L=16.35mm

Unless otherwise
General tolerance:
X. ±0.40
X.x ±0.35
X.xx ±0.25
X* ±3°

Molde Code: GT-3A011F-SNBG1			
DRAWN	CHECKED	APPROVED	DATE
Wu	Xia	Chen	2024.11.13



REV: A0 SHEET: 1/1

NO.	PARTS	MATERIAL	REMARKS
1	SHELL	STAINLESS STEEL201	NI PLATED
2	HOUSING	HIGH TEMPERATURE PLASTIC	BLUE UL 94V-0
3	TERMINALS	COPPER ALLOY	Au1u" PLATED ON CONTACT AREA Tin PLATING ON SOLDER AREA



A

B

C

D

E