

### GT-TD037X-H026-LX

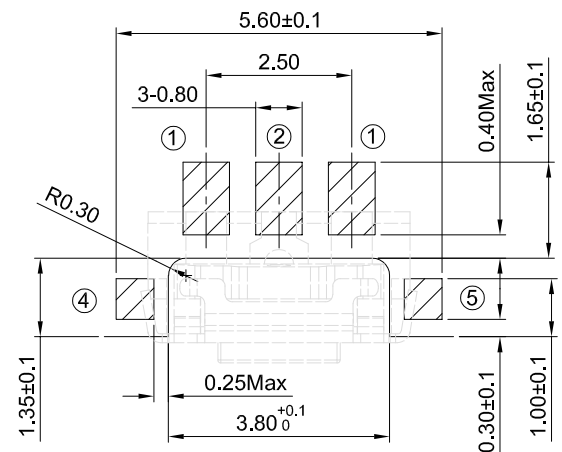
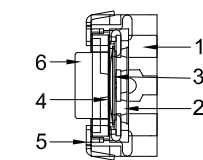
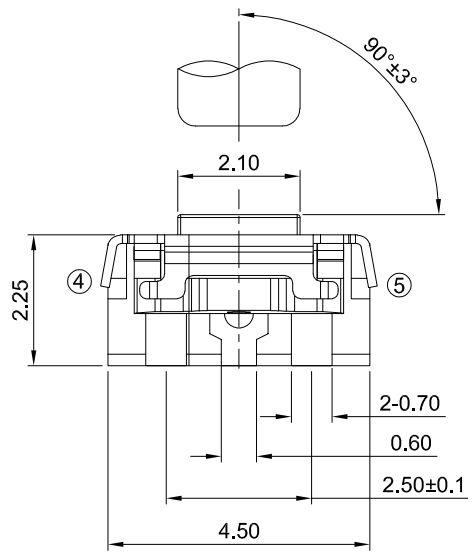
G-Switch

**Operating Force**  
 A=160gf  
 B=250gf  
 D=300gf

**Switch Height(mm)**  
 H026=2.6

**Switch Lifetime**  
 L1=100,000 Cycles  
 L2=200,000 Cycles  
 L3=300,000 Cycles

Keying Tip Tilt

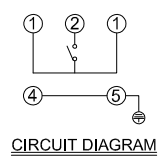


RECOMMENDED PCB LAYOUT  
 TOLERANCE:±0.05

**G-Switch Specification:**

1. Operating temperature range: -40°C ~ +85°C
2. Rating: 50mA, 12V DC
3. Insulation resistance: 100MΩ min, 100V DC
4. Dielectric strength: 250V AC for 1 min
5. Contact resistance: 100mΩ max.
6. Travel: 0.15±0.1mm

6	STEM	PPA	BLACK
5	COVER	SUS304	Sn PLATED
4	TAPE	POLYIMIDE	YELLOW (TRANSPARENT)
3	CONTACT	STAINLESS STEEL 301	Ag PLATED
2	BASE	PA9T	BLACK
1	TERMINAL	C5210	Ag PLATED
NO.	PART NAME	MATERIAL	REMARK



SCALE:	1:1	UNIT:	mm
SIZE:	A4		
Unless otherwise General Tolerance:			
X.	±0.30		
X.x	±0.20		
X.xx	±0.10		
X*	±3°		

Title: Horizontal Tact Switch Mid-Mount 2.1 SMT CH=-0.63 5.55×2.90×Hmm			
Molde Code: GT-TD037X-HXXX-LX			
DRAWN	CHECKED	APPROVED	DATE
Jiang	Xia	Chen	2024.03.10



REV:	A0	SHEET:	1/1
------	----	--------	-----