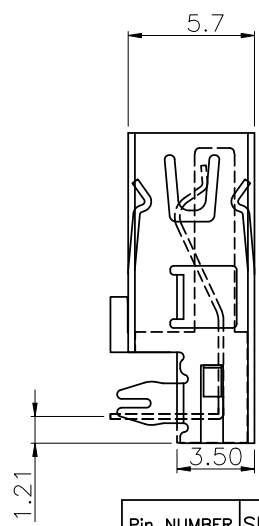
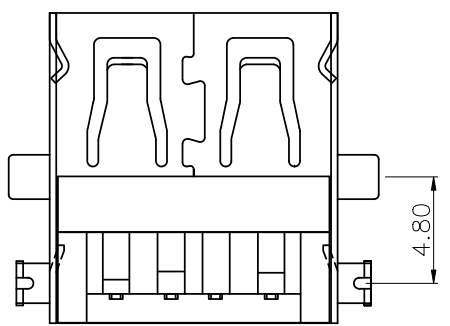
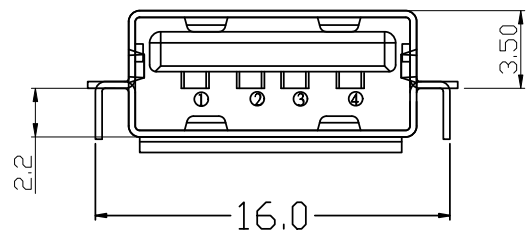
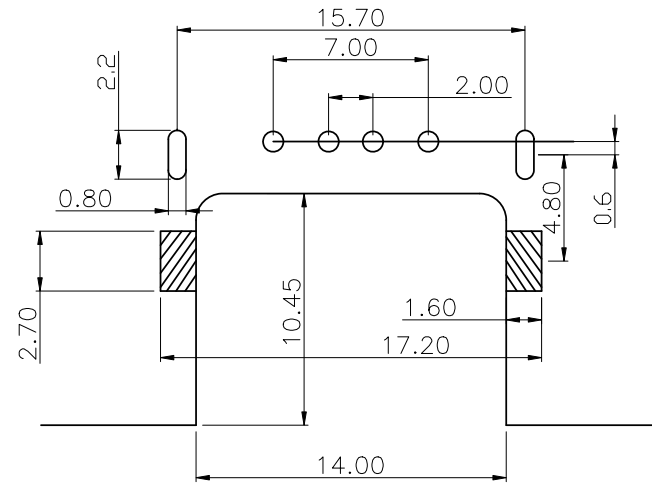
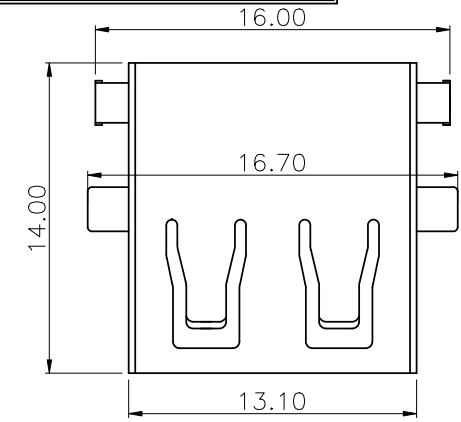


RoHS

目錄
MAPX

設變內容
MODIFICATION

日期
DATE



电气特性:Electrical:

1. 额定电流: Current Rating
1.5A/contact terminal
2. 额定电压: Voltage Rating
30V DC
3. 接触阻抗: Contact Resistance
30 milliohms MAX
4. 耐电压: Dielectric Withstanding Voltage:
500 V AC AT Sea Level
5. 绝缘阻抗: Insulation Resistance:
1000MEGA ohms MIN

物理性能: Mechanical:

1. 插拔力: Connector Mate and Unmate Force
Mate force: 3.57kgf (MAX)
Unmate force: 0.7kgf (MIN)
2. 端子保持力: Terminal Retention
1.0kgf (MIN)
3. 寿命: 1500次

原材料: Material:

1. 塑胶: Housing: pbt /lcp
2. 端子: Contact: Copper Alloy C2680
3. 外壳: Shell: SPCC/c2680

电镀: Finish:

1. 端子 Contact: Au G/F u" Plated on contact area
Tin50u" Plated on solder area
Nickel 30u" Plated underplating over all.
2. 外壳 Shell: Nickel 50u" Min plating over all.
3. Temperature Range: -55° C to +85° C

| Pin NUMBER | SIGNAL NAME |
|------------|-------------|
| 1 | VBUS |
| 2 | D- |
| 3 | D+ |
| 4 | GND |

| 产品图 PRODUCT CHART DWG | | | |
|-------------------------------------|-------|-------|-------|
| 公差一览表 TOLERANCE UNLESS OTHERWISE | | | |
| X. | ±0.35 | X' | ±5' |
| .X | ±0.30 | .X' | ±2' |
| .XX | ±0.25 | .XX' | ±1' |
| .XXX | ±0.10 | .XXX' | ±0.5' |

| | | | | | |
|-------------|------------|--|-------|--------------------------|--|
| | | 深圳市精拓金电子有限公司 Shenzhen Jing Tuo Jin Electronics Co., Ltd. | | | |
| 单位 UNITS | MM | 制图 DRAWING | Erick | 产品料号 PRODUCT PART NO. | 905-761A2022D10200 |
| 比例 SCALE | 1:1 | 审核 CHKD | L S S | 产品名称 PRODUCT NO. | AF/14.0沉板3.5刺破式四脚 前贴后鱼叉无边铁壳LCP黑色DIP |
| 日期 DATE | 2021/03/10 | 核准 APPD | 黄国荣 | 角法 VIEW | |
| | | | | 版本 VER | A0 |