

GT - SM 006 B - H137-02

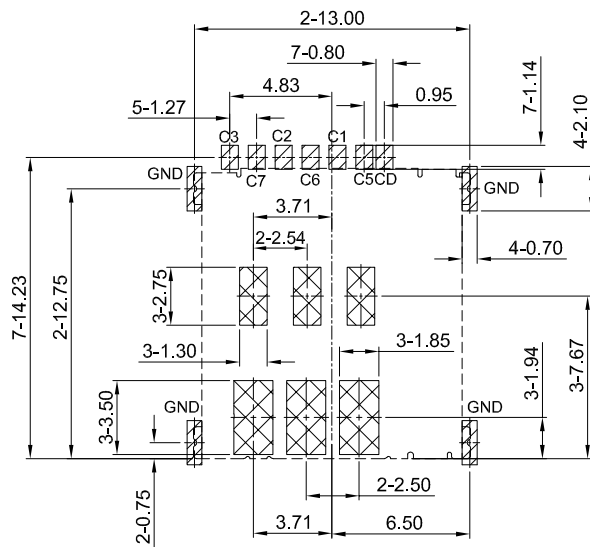
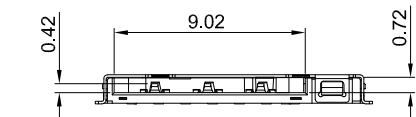
G-SWITCH

Detail
B=Non Pilot

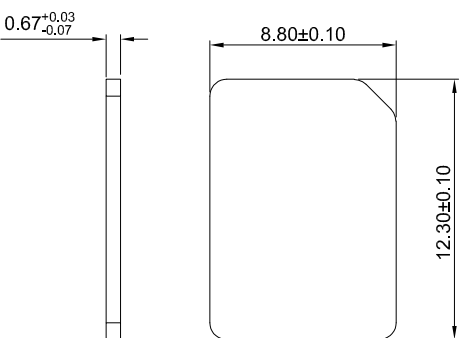
Card holder series
SM=SIM

Product high(mm)
H137=1.37

Operating mode
02=Push-Push

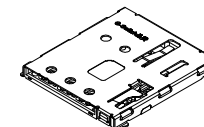


PIN/NO	ASSIGNMENT
C1	VCC
C2	RST
C3	CLK
C5	GND
C6	VPP
C7	I/O
CD	DETECT SWITCH



RECOMMENDED PCB LAYOUT
TOLERANCE:±0.05

▨ SMT SOLDER AREA
▩ COPPER RESTRICTED AREA



G-Switch Specification:

- 1.Operation Voltage: 30V AC
- 2.Current rating: 0.5A Max
- 3.Contact resistance: 100mΩ MAX
- 4.Dielectric withstanding voltage: 500V AC/1minute
- 5.Insulation resistance: 1000MΩ min 500V DC
- 6.Operation temperature: -40°C to 85°C
- 7.Storage temperature: -20°C to 70°C
- 8.Durability: 5,000 cycles

NO.	PART NAME	MATERIAL	REMARK
1	SHELL	SUS304	Ni30μ" UNDERPLATED OVER ALL G/F PLATING ON SOLDER AREA
2	TERMINALS	C5210	G/F PLATING ON CONTACT AREA G/F PLATING ON SOLDER TAILS
3	HOUSING	HIGH TEMPERATURE PLASTIC	LCP BLACK UL 94 V-0

SCALE: 1:1 UNIT: mm
SIZE: A4

Unless otherwise
General tolerance:
X ±0.40
X.x ±0.30
X.xx ±0.20
X* ±5°
X.x* ±3°

Title: Horizontal Nano SIM Card SMT H1.37mm

Molde Code: GT-SM006B-H137-02

DRAWN	CHECKED	APPROVED	DATE
Jiang	Xia	Chen	2024.03.10



REV: A0 SHEET: 1/1