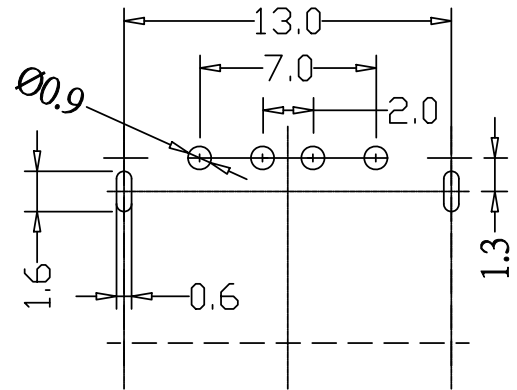
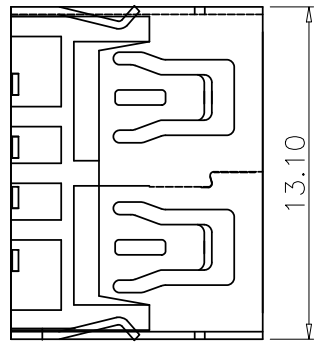
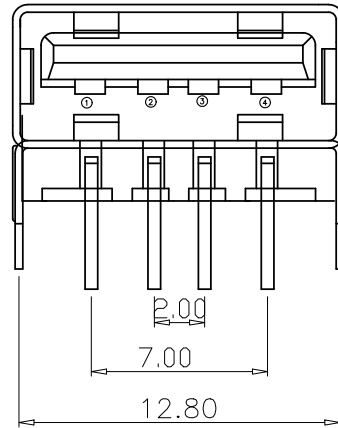
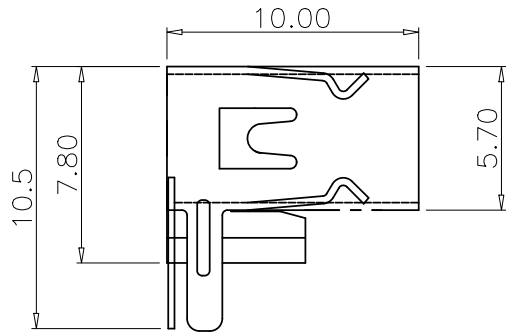


RoHS

目錄
MAPX

設變內容
MODIFICATION

日期
DATE



RECOMMENDED P. C. B LAYOUT

电气特性:Electrical:

1. 额定电流: Current Rating
1.5A/contact terminal
2. 额定电压: Voltage Rating
30V DC
3. 接触阻抗: Contact Resistance
30 milliohms MAX
4. 耐电压: Dielectric Withstanding Voltage:
500 V AC AT Sea Level
5. 绝缘阻抗: Insulation Resistance:
1000MEGA ohms MIN

物理性能: Mechanical:

1. 插拔力: Connector Mate and Unmate Force
Mate force: 3.57kgf (MAX)
Unmate force: 0.7kgf (MIN)
2. 端子保持力: Terminal Retention
1.0kgf (MIN)
3. 寿命: 1500次

原材料: Material:

1. 塑胶: Housing: pbt /lcp
2. 端子: Contact: Copper Alloy C2680
3. 外壳: Shell: SPCC/c2680

电镀: Finish:

1. 端子 Contact: Au G/F u" Plated on contact area
Tin50u" Plated on solder area
Nickel 30u" Plated underplating over all.
2. 外壳 Shell: Nickel 50u" Min plating over all.
3. Temperature Range: -55° C to +85° C

Pin NUMBER	SIGNAL NAME
1	VBUS
2	D-
3	D+
4	GND

产品图 PRODUCT CHART DWG			
公差一览表 TOLERANCE UNLESS OTHERWISE			
X.	±0.35	X'.	±5'
.X	±0.30	.X'	±2'
.XX	±0.25	.XX'	±1'
.XXX	±0.10	.XXX'	±0.5'

		深圳市精拓金电子有限公司 Shenzhen Jing Tuo Jin Electronics Co., Ltd.					
		单位 UNITS	MM	制图 DRAWING	Erick	产品料号 PRODUCT PART NO.	909-261A1015D10101
比例 SCALE	1:1	审核 CHKD	L S S	产品名称 PRODUCT NO.	AF90度10.0短体后两脚无边 铁壳PBT白胶加高7.8		
日期 DATE	2021/03/10	核准 APPD	黄国荣	角法 VIEW		版本 VER	A0