

1 2 3 4 5

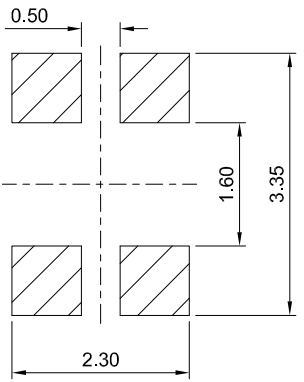
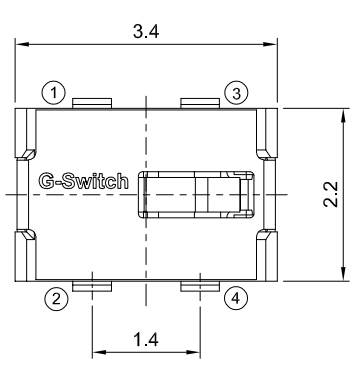
A

B

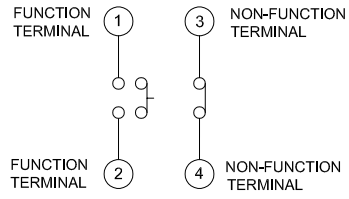
C

D

E



RECOMMENDED PCB LAYOUT  
TOLERANCE:±0.05



CIRCUIT DIAGRAM



**DS - S A002A-H025-L1 N**

**Detector Switch**

**Installation**  
S=SMT

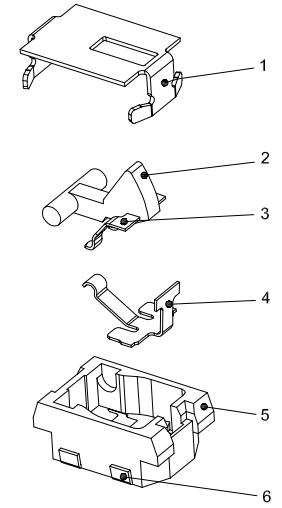
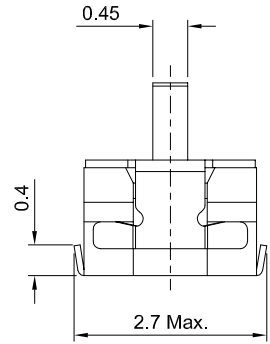
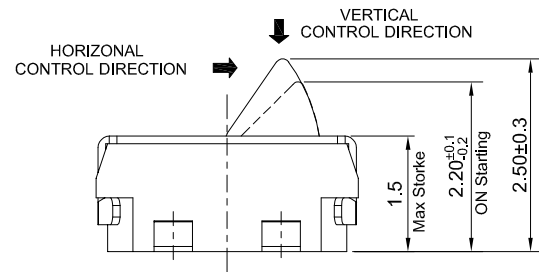
**Structure**  
A=Shrapnel contact

**Operating Force**  
A=25gf max

**Switch Height(mm)**  
H025=2.5

**Switch Lifetime**  
L1=100,000 Cycles

**Detail**  
N=Non Pilot



**G-Switch Specification:**

1. Operating temperature range: -40°C ~ +85°C
2. Rating: 10mA max.5V DC/50µA min.3V DC
3. Insulation resistance: 100MΩ min.100V DC
4. Dielectric strength: 100V AC for 1 min
5. Contact resistance:500mΩ max.
6. Conduction travel: 0.3<sup>+0.1</sup><sub>-0.2</sub>mm max

6	TERMINAL	PHOSPHOR BRONZE	Ag PLATING
5	BASE	PA	BLACK
4	SPRING	STAINLESS STEEL	
3	CONTACT	PHOSPHOR BRONZE	Ag PLATING
2	STEM	PA	BLACK
1	COVER	STAINLESS STEEL	
NO.	PART NAME	MATERIAL	REMARK



SCALE: 1:1 UNIT: mm  
SIZE: A4

Unless otherwise General Tolerance:  
X. ±0.40  
X.x ±0.30  
X.xx ±0.20  
X\* ±3°

Title: Vertical Detector Switch  
SMT 3.4×2.2×H2.5mm

Molde Code: DS-SA002A-H025-L1N

DRAWN	CHECKED	APPROVED	DATE
Xia	Chen	Chen	2024.11.13



REV: A0 SHEET: 1/1

1 2 3 4 5