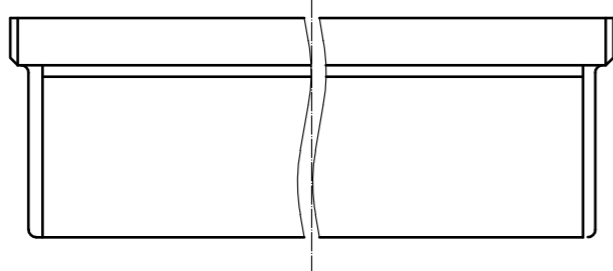
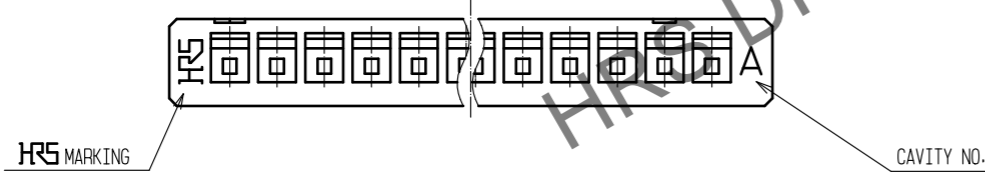
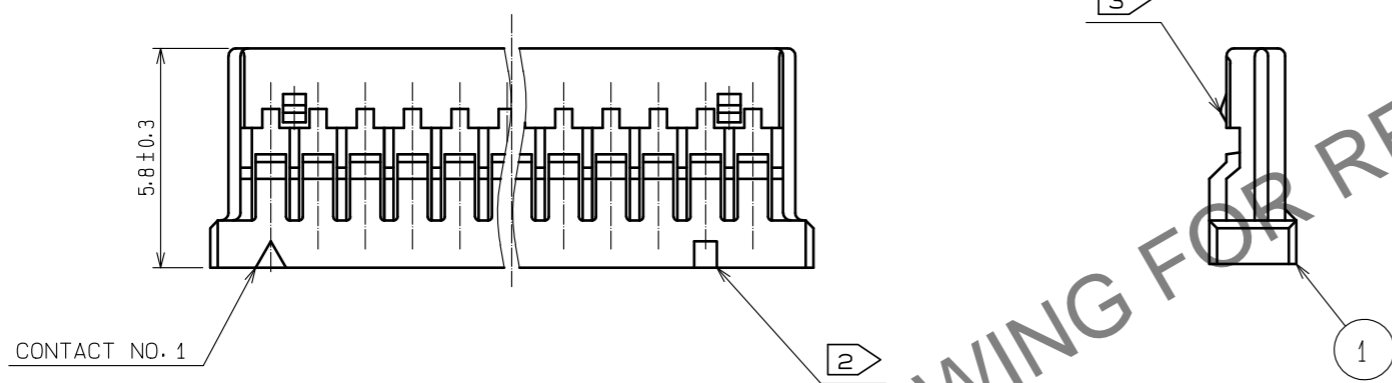
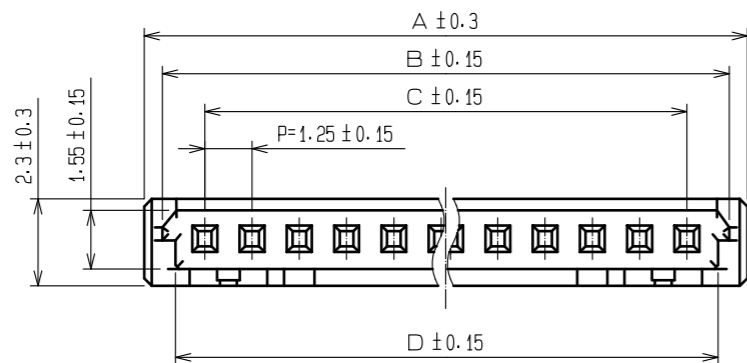


Feb.1.2026 Copyright 2026 HIROSE ELECTRIC CO., LTD. All Rights Reserved.  
 In case of consideration for using Automotive equipment / device which demand high reliability, kindly contact our sales window correspondents.



PARTS NO.	HRS NO.	CONTACTS	A	B	C	D
DF14- 2S-1.25C(10)	CL538-0005-8-10	2	4.45	3.49	1.25	2.85
DF14- 3S-1.25C(10)	CL538-0006-0-10	3	5.70	4.74	2.50	4.10
DF14- 4S-1.25C(10)	CL538-0007-3-10	4	6.95	5.99	3.75	5.35
DF14- 5S-1.25C(10)	CL538-0008-6-10	5	8.20	7.24	5.00	6.60
DF14- 6S-1.25C(10)	CL538-0009-9-10	6	9.45	8.49	6.25	7.85
DF14- 7S-1.25C(10)	CL538-0010-8-10	7	10.70	9.74	7.50	9.10
DF14- 8S-1.25C(10)	CL538-0011-0-10	8	11.95	10.99	8.75	10.35
DF14- 9S-1.25C(10)	CL538-0013-6-10	9	13.20	12.24	10.00	11.60
DF14-10S-1.25C(10)	CL538-0014-9-10	10	14.45	13.49	11.25	12.85
DF14-15S-1.25C(10)	CL538-0054-3-10	15	20.70	19.74	17.50	19.10
DF14-20S-1.25C(10)	CL538-0059-7-10	20	26.95	25.99	23.75	25.35
DF14-25S-1.25C(10)	CL538-0064-7-10	25	33.20	32.24	30.00	31.60
DF14-30S-1.25C(10)	CL538-0012-3-10	30	39.45	38.49	36.25	37.85

NOTES1 100 CONNECTORS ARE IN ONE PACK.  
 2 ON EVERY FIVE CONTACTS.  
 3 2 CONTACT CONNECTOR HAVE ONE LOCK AT CENTER OF HOUSING.

NO.		MATERIAL		FINISH . REMARKS		1	POLYAMIDE	BEIGE, UL94V-0		
UNITS mm		SCALE 5 : 1		COUNT		DESCRIPTION OF REVISIONS		DESIGNED	CHECKED	DATE
HIROSE ELECTRIC CO., LTD.		APPROVED : SJ. OKAMURA		20211217		DRAWING NO.		EDC-160306-10-00		
		CHECKED : SZ. ONO		20211217		PART NO.		DF14- *S-1.25C(10)		
		DESIGNED : HT. SATO		20211217		CODE NO.		CL538-		
		DRAWN : SK. CHIBA		20211217						