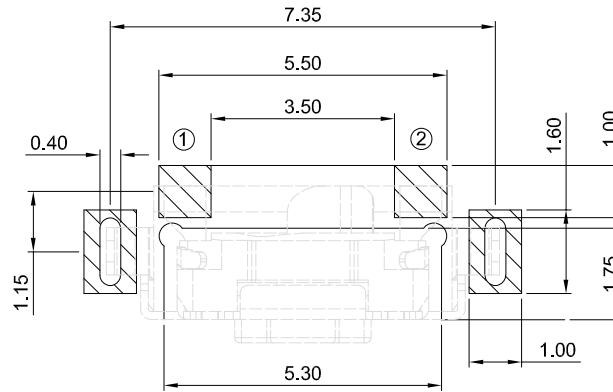
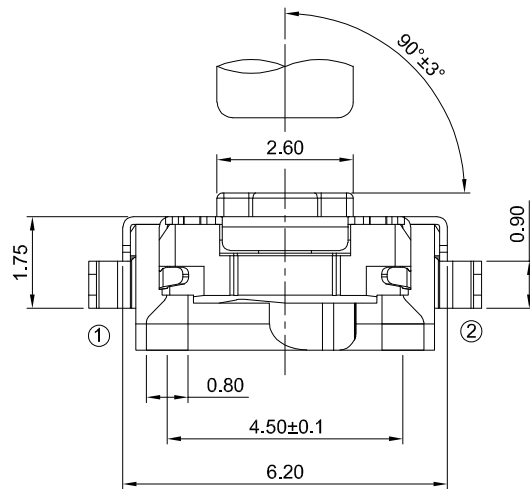


Keying Tip Tilt



RECOMMENDED PCB LAYOUT
TOLERANCE:±0.05



GT-TB036X-HXXX-LX

G-Switch

Operating Force
A=160gf
B=250gf

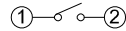
Switch Height(mm)
H030=3.0 (A=2.10)
H035=3.5 (A=2.60)

Switch Lifetime
L05=50,000 Cycles
L1=100,000 Cycles

G-Switch Specification:

1. Operating temperature range: -40°C ~ +85°C
2. Rating: 50mA, 12V DC
3. Insulation resistance: 100MΩ min, 100V DC
4. Dielectric strength: 250V AC for 1 min
5. Contact resistance: 100mΩ max.
6. Travel: 0.15±0.1mm

6	STEM	LCP	BLACK
5	COVER	PHOSPHOR BRONZE	-
4	TAPE	POLYIMIDE	YELLOW (TRANSPARENT)
3	CONTACT	STAINLESS STEEL 301	Ag PLATED
2	BASE	PPA	WHITE
1	TERMINAL	PHOSPHOR BRONZE	Ag PLATED
NO.	PART NAME	MATERIAL	REMARK



CIRCUIT DIAGRAM



SCALE: 1:1 UNIT: mm
SIZE: A4

Unless otherwise
General Tolerance:

X. ±0.30
X.x ±0.20
X.xx ±0.10
X* ±3°

Title: Horizontal Tact Switch Mid-Mount 2.15
SMT CH=0.40 6.2×3.5×Hmm

Molde Code: GT-TB036X-HXXX-LX

DRAWN	CHECKED	APPROVED	DATE
Jiang	Xia	Chen	2024.03.10



REV: A0 SHEET: 1/1