

REV.	DESCRIPTION	ECN NO.	NAME	DATE

NOTE:

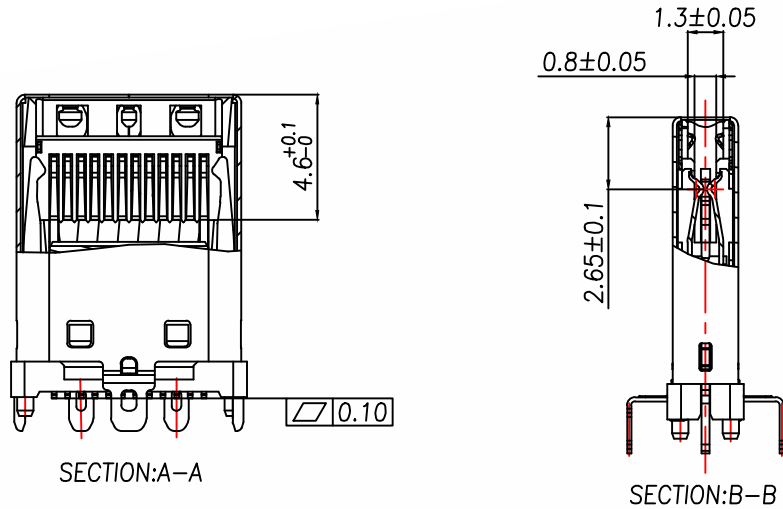
- MATERIAL SPECIFICATION:**
 - HOUSING&PICKUP COVER:LCP,UL94 V-0.BLACK
 - CONTACTS:SEE TABLE 1
 - LATCH: STAINLESS STEEL(SUS301)
 - SPRING: STAINLESS STEEL(SUS304)
 - FRONT SHELL: STAINLESS STEEL(SUS304)
- PLATING SPECIFICATION:**
 - CONTACTS:
 - Ni 50u" MIN. UNDER PLATED OVER ALL.
 - Au PLATED ON THE FUNCTIONAL AREA OF CONTACT.
 - CONTACT FUNCTIONAL AREA PLATED : Au 3u"
 - CONTACT SOLDER AREA PLATED : Au G/F"
 - FRONT SHELL:
 - Ni 30u" MIN. UNDER PLATED OVER ALL.
 - LATCH:
 - Ni 50u" MIN. UNDER PLATED OVER ALL.
 - 80u" MIN. TIN PLATED ON SOLDER AREA.
 - SPRING:
 - CLEAR ONLY
- MECHANICAL PERFORMANCE,**
 - INSERTION FORCE: 0.5~2.0kgf.
 - REMOVAL FORCE: 0.8kgf~2.0kgf.
 - DURABILITY: 10000 CYCLES.
- ELECTRICAL PERFORMANCE,**
 - CURRENT RATING:SEE TABLE 1
VOLTAGE RATING:5.0V
 - LLCR:
 - VBUS & GND PINS AND OTHER PINS: 40mA/PIN MAX.
 - SHIELD: 50mA/MAX.
 - LLCR MAX. CHANGE OF ALL PINS: 10mA.
 - INSULATION RESISTANCE: 100MΩ MIN
 - DIELECTRIC WITHSTAND VOLTAGE,AC 100V FOR 1 MINUTE.
- ENVIRONMENTAL PERFORMANCE:**
 - OPERATING TEMPERATURE: -40°C~+85°C.
- IR REFLOW:**
 - THE PEAK TEMPERATURE ON THE BOARD SHALL BE MAINTAINED FOR 10 SECONDS AT 260°C.

GENERAL TOLERANCE		DONGGUAN BAOXUN PRECISION TECHNOLOGY CO., LTD		
DIM.	TOL.	TITLE: USB CM VERTICAL TYPE HIGHT=11.1		
x.	±0.30	DWG. NO.: TYPE-C-24P-GON-LT		CHECKED: MAX
x.x	±0.20	PART NO.: TYPE-C-24P-GON-LT		DRAWN: ELLA
x.xx	±0.10	UNIT: mm		APPROVED: WILL
GENERAL ANGLE:		SCALE: none	SHEET: 1 of 1	DWG. SIZE: A4
x.	±10.0°	LAYER: bxconn		
x.x	±8.0°			
x.xx	±5.0°			

BXCONN[®]

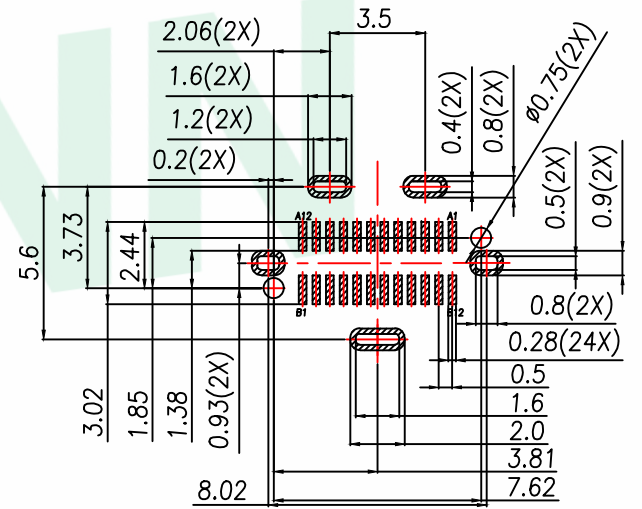
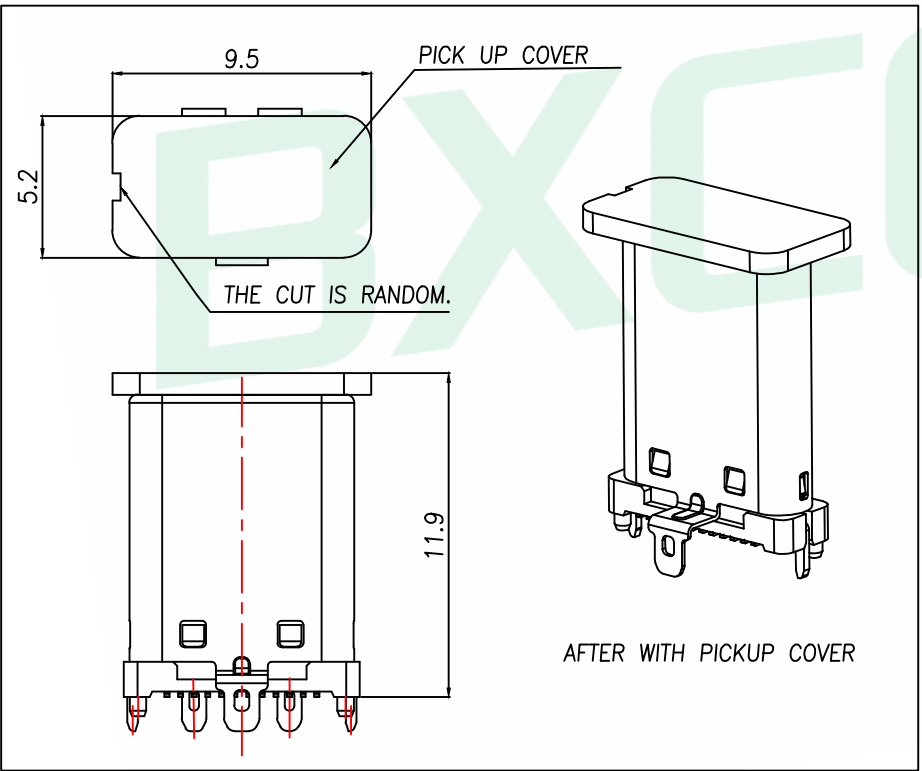


A		B		C		D		E	
REV.	DESCRIPTION				ECN NO.	NAME		DATE	

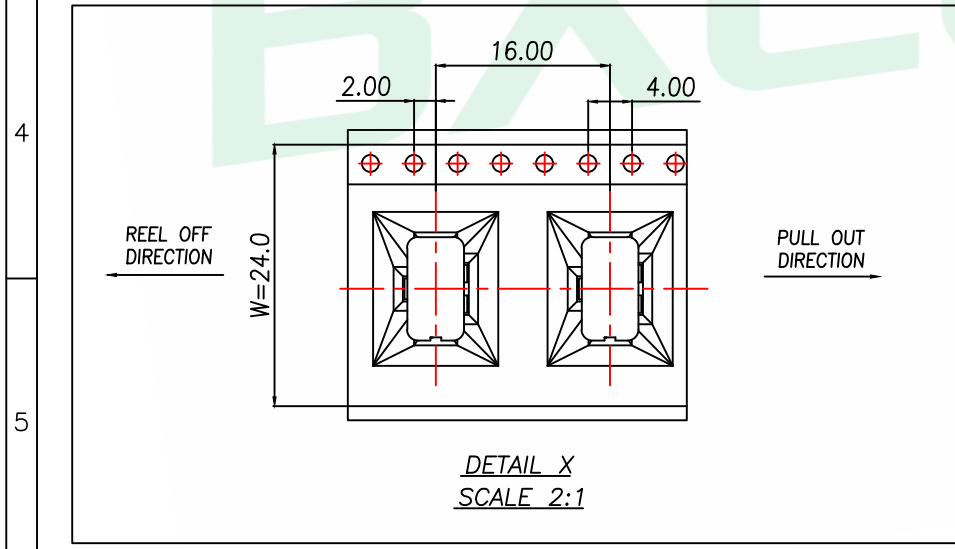
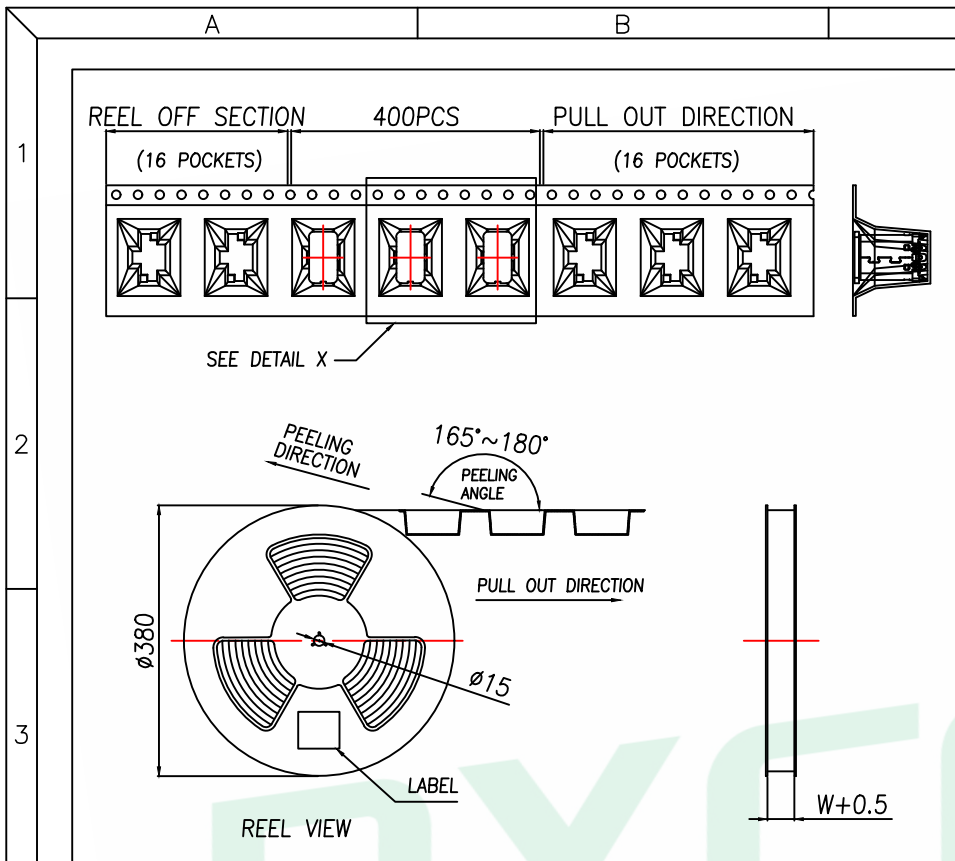


USB TYPE-C PIN ASSIGNMENTS

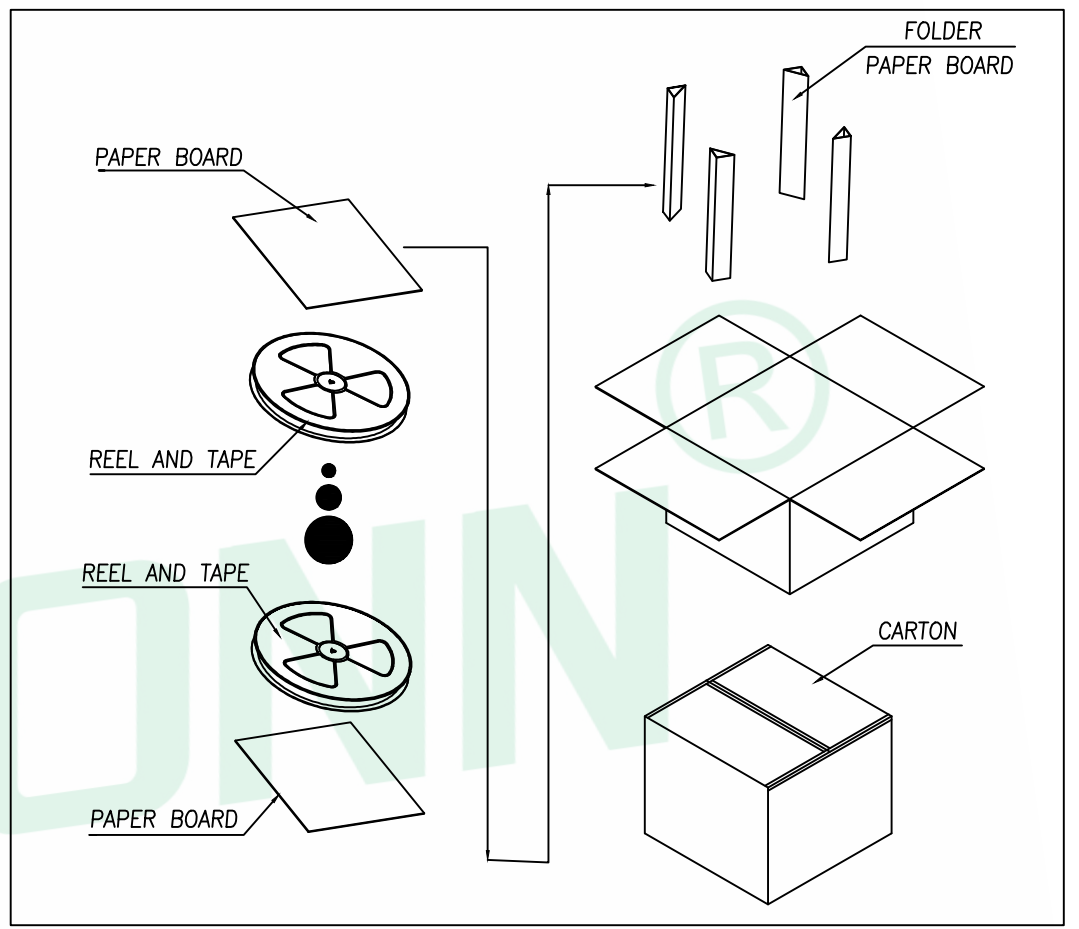
PIN NUMBER	SIGNAL NAME	PIN NUMBER	SIGNAL NAME
A1	GND	B12	GND
A2	SSTXp1	B11	SSRXp1
A3	SSTXn1	B10	SSRXn1
A4	Vbus	B9	Vbus
A5	CC1	B8	SBU2
A6	Dp1	B7	Dn2
A7	Dn1	B6	Dp2
A8	SBU1	B5	CC2
A9	Vbus	B4	Vbus
A10	SSRXn2	B3	SSTXn2
A11	SSRXp2	B2	SSTXp2
A12	GND	B1	GND



GENERAL TOLERANCE	DONGGUAN BAOXUN PRECISION TECHNOLOGY CO., LTD		
DIM. TOL.	TITLE: USB CM VERTICAL TYPE HIGHT=11.1		
x. ±0.30	DWG. NO.: TYPE-C-24P-GON-LT		
x.x ±0.20	CHECKED: MAX		
x.xx ±0.10	DRAWN: ELLA		
GENERAL ANGLE:	PART NO.: TYPE-C-24P-GON-LT		
x.° ±10.0°	UNIT: mm		
x.x° ±8.0°	SCALE: none		
x.xx° ±5.0°	SHEET: 1 of 1		
	DWG. SIZE: A4		
	LAYER: bxconn		
	APPROVED: WILL		



REV.	DESCRIPTION	ECN NO.	NAME	DATE



	REEL/TRAY	CARTON
CONNECTOR (PCS)	400	4000

GENERAL TOLERANCE	DONGGUAN BAOXUN PRECISION TECHNOLOGY CO., LTD	
DIM.	TITLE: USB CM VERTICAL TYPE HIGHT=11.1	
x.	±0.30	DWG. NO.: TYPE-C-24P-GON-LT
x.x	±0.20	
x.xx	±0.10	CHECKED: MAX
GENERAL ANGLE:	PART NO.: TYPE-C-24P-GON-LT	
x.°	±10.0°	DRAWN: ELLA
x.x°	±8.0°	APPROVED: WILL
x.xx°	±5.0°	
UNIT:	SCALE:	SHEET:
mm	none	1 of 1
DWG. SIZE:	LAYER:	
A4	bxconn	

