

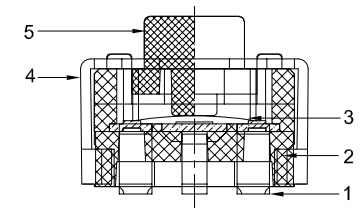
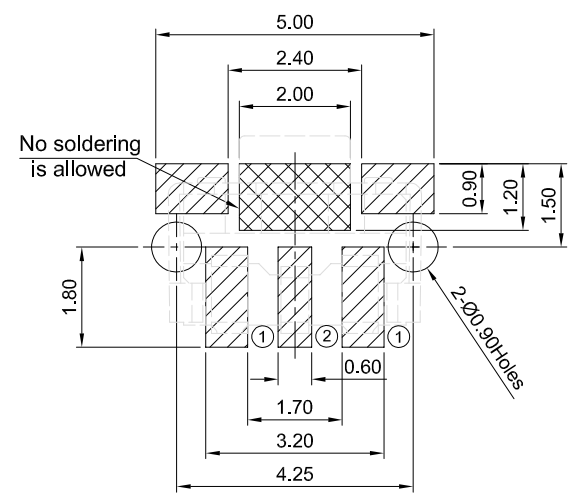
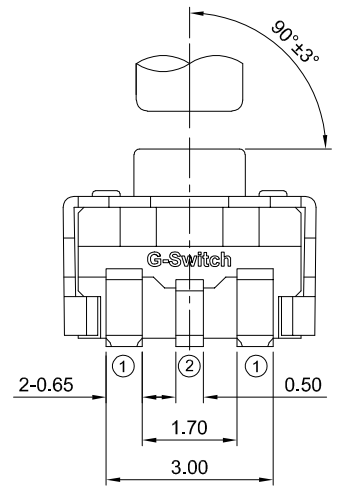
GT-TD108X-HXXX-LX

G-Switch
Operating Force
 A=160gf
 B=250gf
 E=130gf

Switch Height (mm)
 H034=3.40 (A=2.05)
 H040=4.00 (A=2.65)
 H059=5.90 (A=4.55)

Switch Lifetime (Force)
 L1=100,000 Cycles
 L3=300,000 Cycles

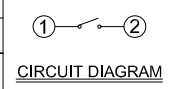
Keying Tip Tilt



SECTION A-A

G-Switch Specification:
 1. Operating temperature range: -40°C ~ +85°C
 2. Rating: 50mA, 12V DC
 3. Insulation resistance: 100MΩ min, 100V DC
 4. Dielectric strength: 250V AC for 1 min
 5. Contact resistance: 100mΩ max.
 6. Travel: 0.20±0.1mm

| | | | |
|-----|----------------|--------------|---------------------|
| 5 | PLASTIC BUTTON | PPA | WHITE |
| 4 | COVER PLATE | COPPER ALLOY | Tin PLATING |
| 3 | SPRING | SUS301 | Ag PLATING ONE SIDE |
| 2 | HOUSING | PPA | BLACK |
| 1 | TERMINAL | COPPER ALLOY | Ag PLATING |
| NO. | PART NAME | MATERIAL | REMARK |



| | |
|-------------------------------------|----------|
| SCALE: 1:1 | UNIT: mm |
| SIZE: A4 | |
| Unless otherwise General Tolerance: | |
| X. | ±0.40 |
| X.x | ±0.30 |
| X.xx | ±0.20 |
| X* | ±3° |

| | | | |
|--|---------|----------|------------|
| Title: Horizontal Tact Switch Falt CH=1.70 4.55×3.3×Hmm | | | |
| Molde Code: GT-TD108X-HXXX-LX | | | |
| DRAWN | CHECKED | APPROVED | DATE |
| Jiang | Xia | Chen | 2024.11.13 |



| | |
|---------|------------|
| REV: A1 | SHEET: 1/1 |
|---------|------------|