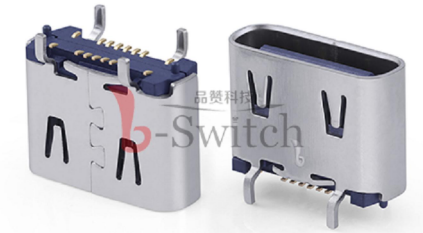
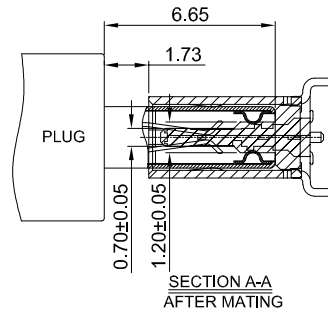
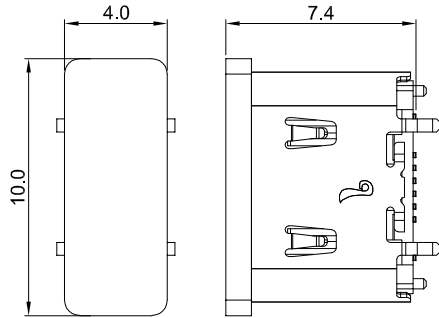
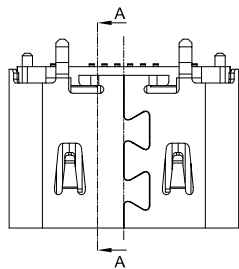
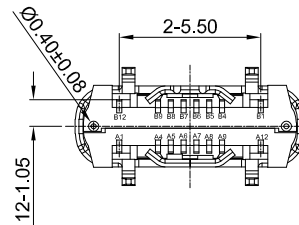
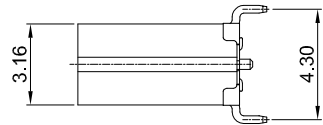
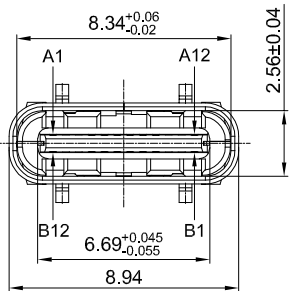


A



A

B



G-Switch USB-C Specification:

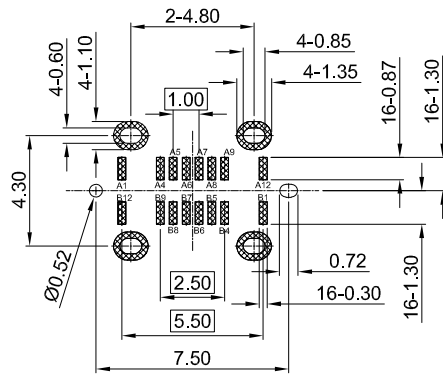
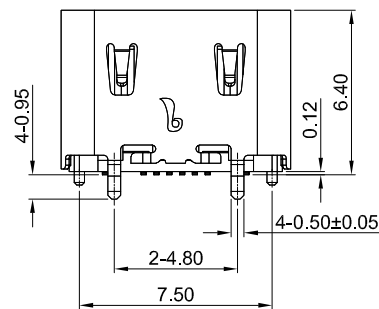
1. Current rated: 5A on vbus/1.25A on vconn/0.25A on other
2. Withstanding voltage: 100V AC/minute
3. Contact resistance: 40mΩ Max
4. Insulation resistance: 100MΩ Min
5. Operating temperature: -40°C ~ +85°C
6. Mating force: 5N~20N
7. Unmating force: 8N~20N
8. Durability cycle: 10,000 cycles
9. Compliant with: IEC62680-1-3

B

品赞电子(东莞)有限公司

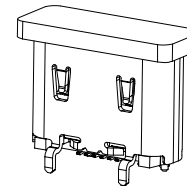
品赞电子(东莞)有限公司

D



PCB REFERENCE DIAGRAM
TOLERANCE: ±0.05

Molde Code	Specification Description
GT-USB-9055BA-01	Au1u" Plating On Contact Area
GT-USB-9055BA-02	Au3u" Plating On Contact Area
GT-USB-9055BA-03	Au15u" Plating On Contact Area
GT-USB-9055BA-04	Au30u" Plating On Contact Area



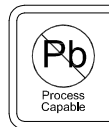
USB IF TID:12014

A1	A2	A3	A4	A5	A6	A7	A8	A9	A10	A11	A12
GND			VBUS	CC1	D+	D-	SBU1	VBUS			GND
First			First	Second	Second	Second	Second	First			First
B12	B11	B10	B9	B8	B7	B6	B5	B4	B3	B2	B1
GND			VBUS	SBU2	D-	D+	CC2	VBUS			GND
First			First	Second	Second	Second	Second	First			First

D

E

NO.	PARTS	MATERIAL	REMARKS
1	SHELL	STAINLESS STEEL 304	NI PLATED
2	MID PLATE	STAINLESS STEEL 301	-
3	HOUSING	LCP	BLACK UL 94 V-0
4	TERMINALS	COPPER ALLOY C1815	Au PLATED ON CONTACT AREA G/F PLATED ON SOLDER AREA



SCALE: 1:1 UNIT: mm
SIZE: A4

Unless otherwise General Tolerance:
X. ±0.40
X.x ±0.30
X.xx ±0.20
X.xxx ±0.10
X* ±5°

Title: Vertical Type-C 16P Female SMT H=6.4mm			
Molde Code: GT-USB-9055BA			
DRAWN	CHECKED	APPROVED	DATE
Wu	Chen	Chen	2025.01.09



REV: A0 SHEET: 1/1

E