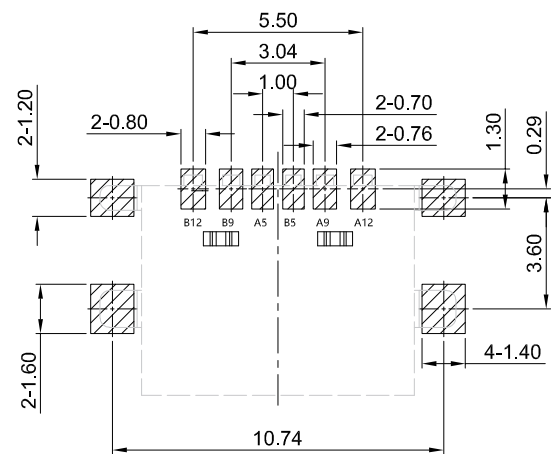
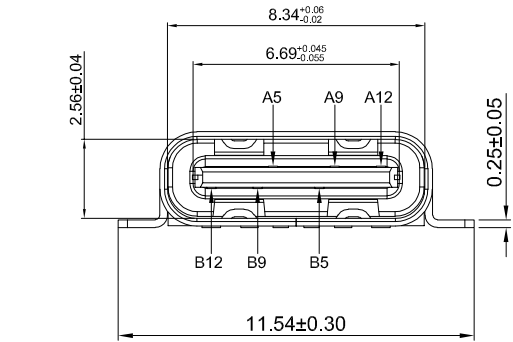
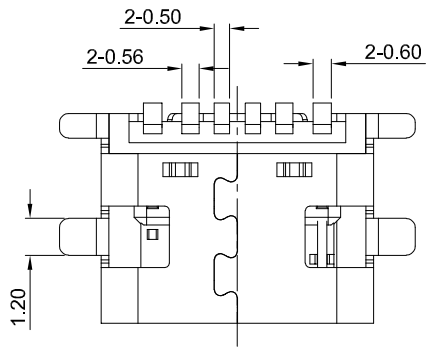


SECTION A-A



RECOMMENDED P.C.B. LAYOUT
TOLERANCE ±0.05mm



G-Switch USB-C Specification:

- 1.Current rated: 3A on vbus/1.25A on vconn/0.25A on other
- 2.Withstanding voltage: 100V AC/minute
- 3.Contact resistance: 40mΩ Max
- 4.Insulation resistance: 100MΩ Min
- 5.Operating temperature: -40°C ~ +85°C
- 6.Mating force : 5N~20N
- 7.Unmating force: 8N~20N
- 8.Durability cycle:5000 cycles

A1	A2	A3	A4	A5	A6	A7	A8	A9	A10	A11	A12
				CC1				VBUS			GND
				Second				First			First
B12	B11	B10	B9	B8	B7	B6	B5	B4	B3	B2	B1
GND			VBUS				CC2				
First			First				Second				

1	SHELL	STAINLESS STEEL201	Ni40u" MIN PLATED
2	HOUSING	HIGH TEMPERATURE PLASTIC	LCP BLACK UL 94V-0
3	TERMINALS	COPPER ALLOY C2680	Au0.5u" PLATING ON CONTACT AREA G/F PLATING ON SOLDER AREA
NO.	PARTS	MATERIAL	REMARKS



SCALE: 1:1 UNIT: mm
 SIZE: A4
 Unless otherwise General Tolerance:
 X. ±0.40
 X.x ±0.30
 X.xx ±0.20
 X.xxx ±0.10
 X* ±5°

Title: Horizontal Type-c 6P Female SMT CH=1.63 L=6.8mm			
Molde Code: GT-USB-7002D01			
DRAWN	CHECKED	APPROVED	DATE
Xla	Chen	Chen	2023.02.31



REV: A0 SHEET: 1/1