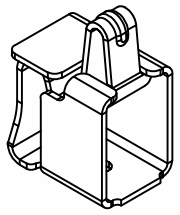
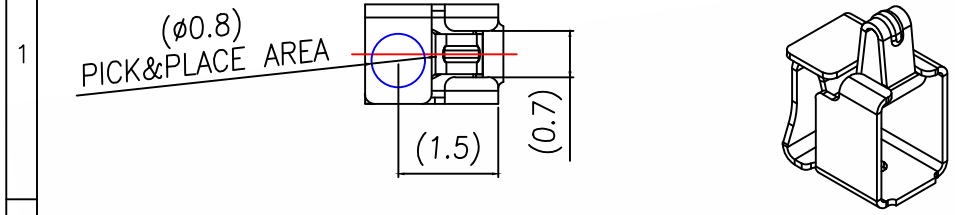
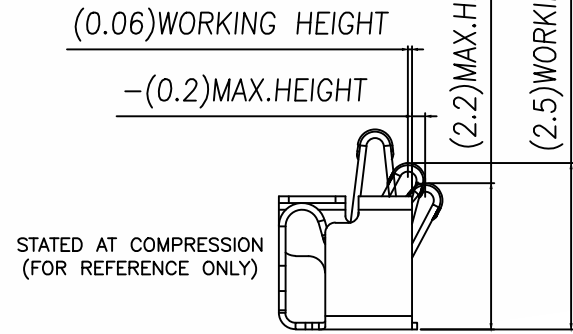
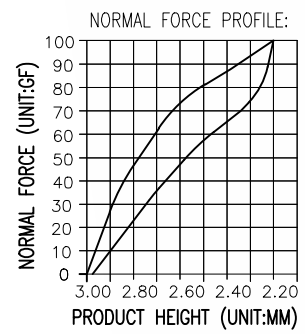
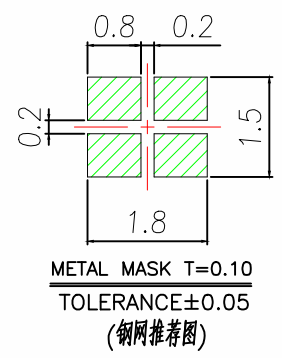
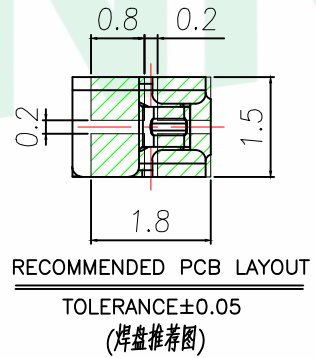
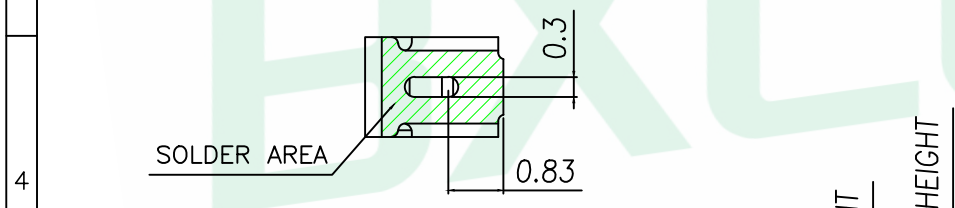
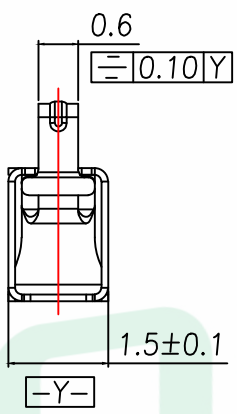
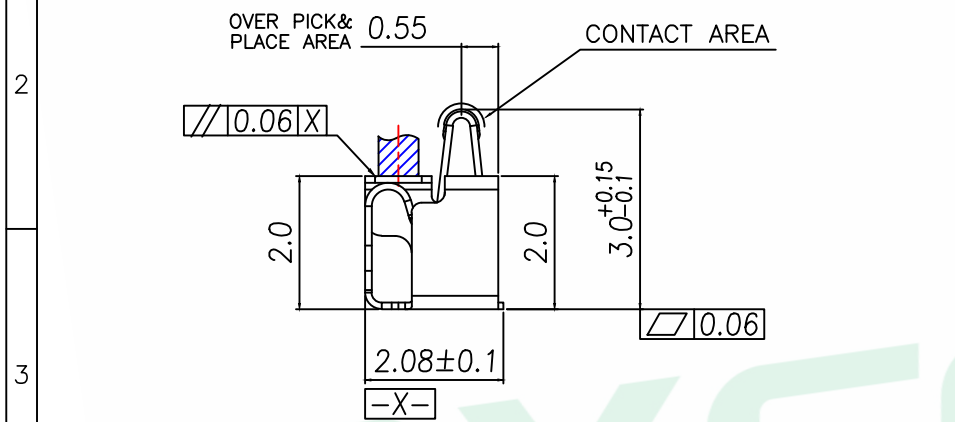


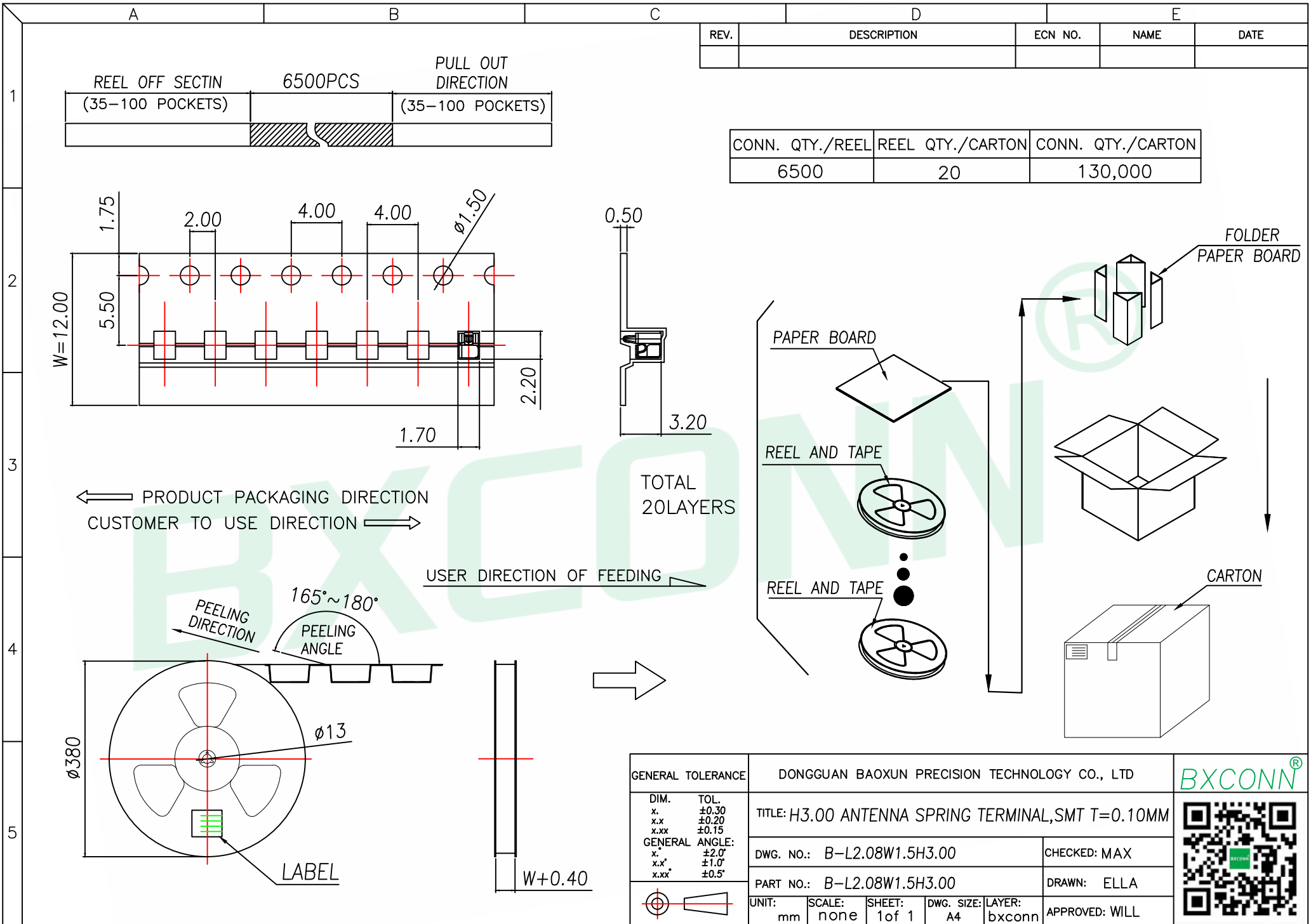
REV.	DESCRIPTION	ECN NO.	NAME	DATE



NOTES:
 1:MATERIAL
 1-1:C5210 THICKNE=0.10mm
 2:SPECIFICATIONS
 2-1: RATED CURRENT: 1.0A
 2-2: VOLTAGE RATING: 1.5V
 2-3: CONTACT RESISTANCE: 80mΩ/MAX
 2-4: WELDING THRUST: ≥3KG
 2-5: OPERATING TEMPERATURE: -40°C~+85°C
 3:DURABILITY: 1500 CYCLES
 4:SALT SPRAY TIME: 24H
 5:FINISH:50u"Min NICKEL UNDERPLATING OVER ALL.
 6.REQUIREMENTS
 6-1:TERMINAL TO EAT FULL TIN,NOTPEELING
 WELDING OBVIOUS COLOR AND OTHED ADVERSE
 6-2:ROHS,REACH,HF HALOGER ADVERSE OF DOMESTIC
 AND INTERNATIONAL ENVIRONMNTAL REQUIREMENTS



GENERAL TOLERANCE		DONGGUAN BAOXUN PRECISION TECHNOLOGY CO., LTD			
DIM.	TOL.	TITLE: H3.00 ANTENNA SPRING TERMINAL,SMT T=0.10MM			
x.	±0.30	DWG. NO.: B-L2.08W1.5H3.00		CHECKED: MAX	
x.x	±0.20	PART NO.: B-L2.08W1.5H3.00		DRAWN: ELLA	
x.xx	±0.15	UNIT: mm		APPROVED: WILL	
GENERAL ANGLE:		SCALE: none	SHEET: 1 of 1	DWG. SIZE: A4	LAYER: bxconn
x.	±2.0°				
x.x'	±1.0°				
x.xx'	±0.5°				



REV.	DESCRIPTION	ECN NO.	NAME	DATE

CONN. QTY./REEL	REEL QTY./CARTON	CONN. QTY./CARTON
6500	20	130,000

GENERAL TOLERANCE		DONGGUAN BAOXUN PRECISION TECHNOLOGY CO., LTD			
DIM.	TOL.	TITLE: H3.00 ANTENNA SPRING TERMINAL, SMT T=0.10MM			
x.	± 0.30	DWG. NO.: B-L2.08W1.5H3.00		CHECKED: MAX	
x.x	± 0.20	PART NO.: B-L2.08W1.5H3.00		DRAWN: ELLA	
x.xx	± 0.15	UNIT: mm		APPROVED: WILL	
GENERAL ANGLE:		SCALE: none	SHEET: 1 of 1	DWG. SIZE: A4	LAYER: bxconn
x.	$\pm 2.0^{\circ}$				
x.x'	$\pm 1.0^{\circ}$				
x.xx'	$\pm 0.5^{\circ}$				

BXCONN[®]