

1

2

3

4

5

A

A

B

B

C

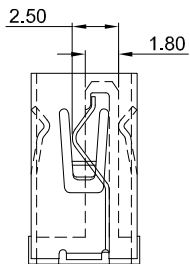
C

D

D

E

E



4	GND
3	D+
2	D-
1	VBUS
PIN	NAME
PIN ASSIGNMENT	



GT-2A041F - S N N G0

Detail

F=No flanging no column

Shell Material

S=Stainless steel

Shell Plated

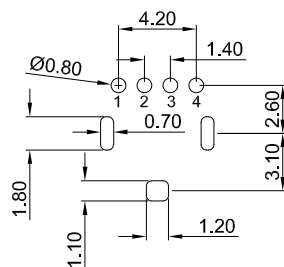
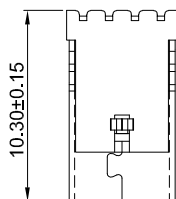
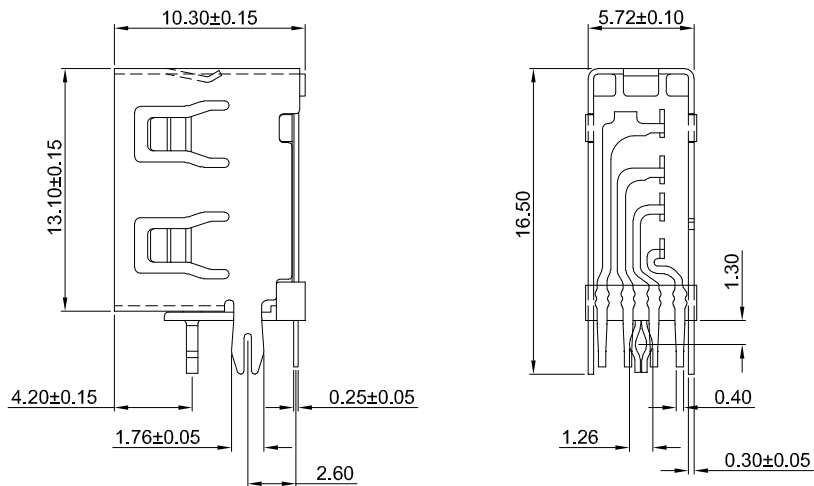
N=Ni

Housing Colour

N=Black

Terminal Plated

G0=G/F
G1=1u"
G3=3u"
G5=5u"



RECOMMENDED PCB LAYOUT
TOLERANCE:±0.05

G-Switch USB-2.0 Specification:

- 1.Current rated: 1.5A
- 2.Voltage rating: 30V DC
- 3.Dielectric withstanding Voitage:500V AC
- 4.Contact resistance: 30mΩ Max
- 5.Insulation resistance: 1000MΩ Min
- 6.Operating temperature: -40°C ~ +85°C
- 7.Mating force: 3.57Kgf Max
- 8.Unmating force: 1.02Kgf Min

1	SHELL	SUS304	Ni PLATED
2	HOUSING	HIGH TEMPERATURE PLASTIC LCP	BLACK UL 94V-0
3	TERMINALS	COPPER ALLOY C2680	G/F PLATED ON CONTACT AREA Tin PLATING ON SOLDER AREA
NO.	PARTS	MATERIAL	REMARKS



SCALE: 1:1 UNIT: mm
SIZE: A4

Unless otherwise General Tolerance:

X.x ±0.30
X.xx ±0.20
X.x° ±3°

Title: Horizontal USB 2.0 AF DIP L=10.30mm

Molde Code: GT-2A041F-SNNG0

DRAWN	CHECKED	APPROVED	DATE
Xla	Chen	Chen	2024.03.10



REV: A0 SHEET: 1/1

1

2

3

4

5