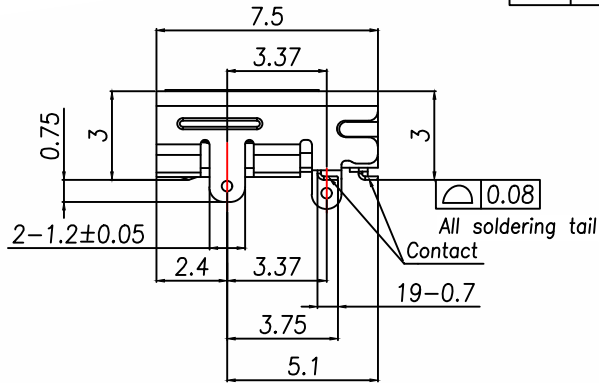
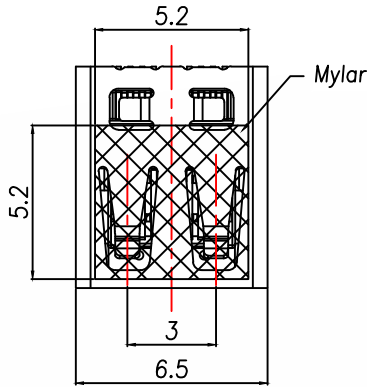
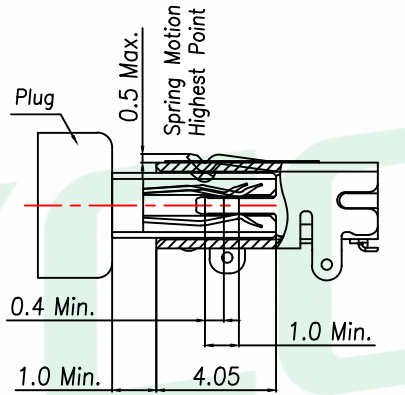
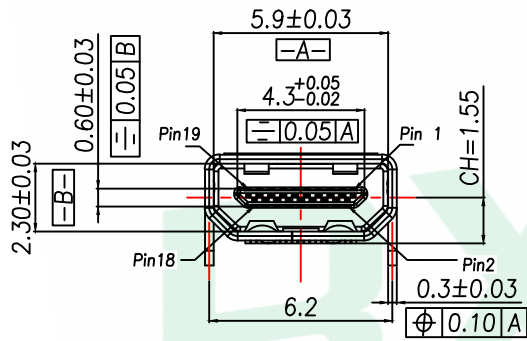


A		B		C		D		E	
REV.	DESCRIPTION				ECN NO.	NAME	DATE		

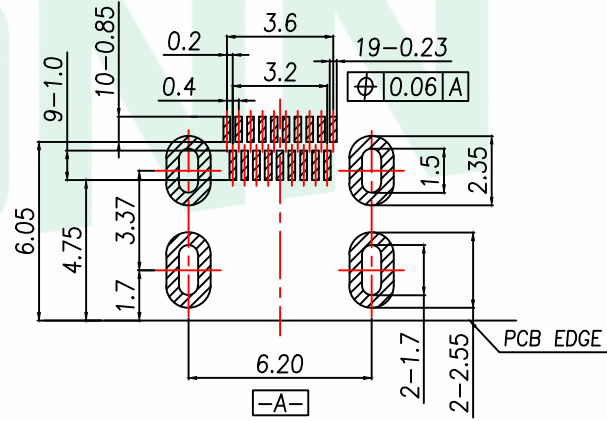
1
2
3
4
5



- Notes:
- Materials
 - Housing: LCP+30% G/F, Black, UL94 V-0;
 - Contact: Phosphor Copper (C5191), Gold Plating at mating area, Matte Tin or Au Plating at solder tail, all over Nickel;
 - Shell: Phosphor Copper (C5191);
 - Ratings
 - Current Rating: 0.3A ;
 - Operating Temperature: -40°C ~ 85°C;
 - Electrical Requirement:
 - LLCR: Excluding Conductor Resistance 10mΩ Max.(Target design value), Contact: 30mΩ Max. changed (Final), Shell: 50mΩ Max. Changed (Final);
 - Dielectric Withstanding Voltage: 150V AC (RMS) for 1 minute (Mated), 250V AC (RMS) for 1 minute (Unmated);
 - Insulation Resistance: 10MΩ Min. @ 150V DC (Mated), 100MΩ Min. @ 500V DC (Unmated);
 - Mechanical Performance:
 - Insertion force: 44.1N (4.5Kgf) Max.;
 - Withdrawal force: 4.9~25N (0.5~2.5Kgf);
 - Durability life: 5,000 Cycles;
 - IR Reflow: the peak temperature on board shall be maintained for 10 seconds at 260±5°C.

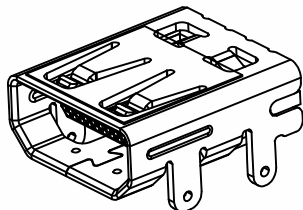
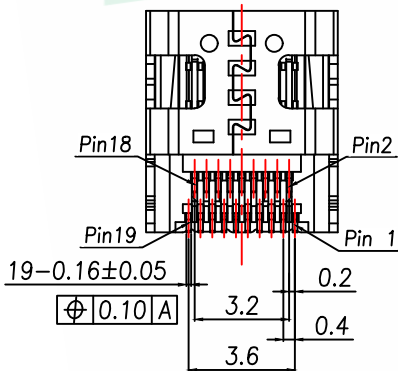


Receptacle and Plug Mated Condition



RECOMMENDED PCB LAYOUT(TOP VIEW)
(TOLERANCE: ±0.05mm)

PIN	Signal Assignment
1	Hot Plug Detect
2	Utility
3	TMDS Data2+
4	TMDS Data2 Shield
5	TMDS Data2-
6	TMDS Data1+
7	TMDS Data1 Shield
8	TMDS Data1-
9	TMDS Data0+
10	TMDS Data0 Shield
11	TMDS Data0-
12	TMDS Clock+
13	TMDS Clock Shield
14	TMDS Clock-
15	CEC
16	DDC/CEC Ground
17	SCL
18	SDA
19	+5V Power

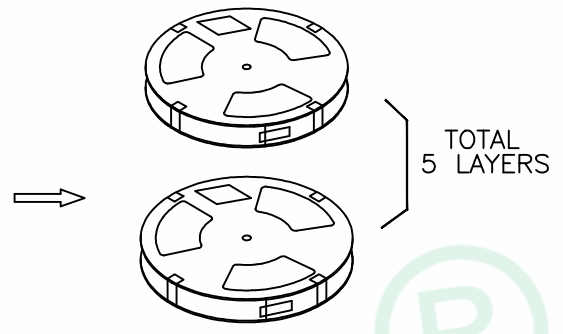
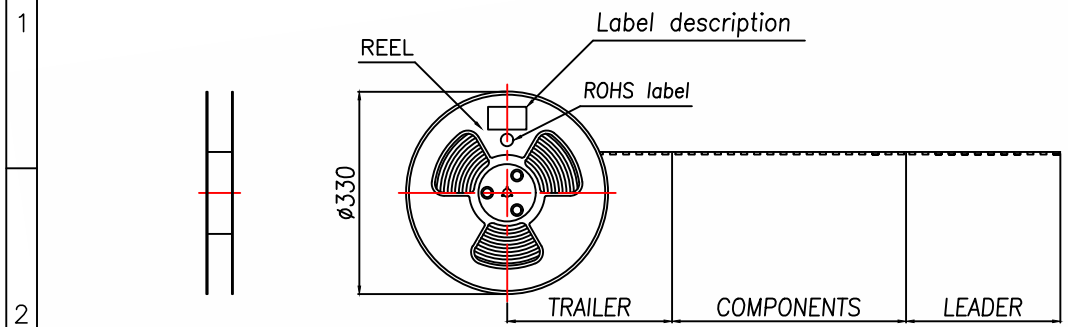


GENERAL TOLERANCE		DONGGUAN BAOXUN PRECISION TECHNOLOGY CO., LTD	
DIM.	TOL.	TITLE: HDMI D TYPE 外壳插件 端子贴片	
x.	±0.30	DWG. NO.: HDMI-01D	CHECKED: MAX
x.x	±0.25	PART NO.: HDMI-01D	DRAWN: ELLA
x.xx	±0.15	UNIT: mm	SCALE: none
GENERAL ANGLE:	±2.0°	SHEET: 1 of 1	DWG. SIZE: A4
x.	±0.5°	LAYER: bxconn	APPROVED: WILL
x.x'			
x.xx'			

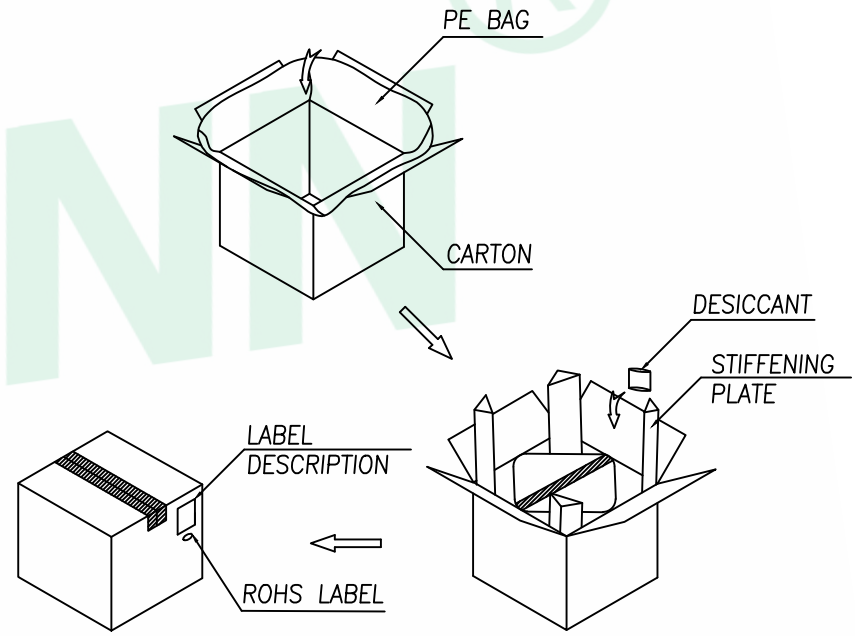
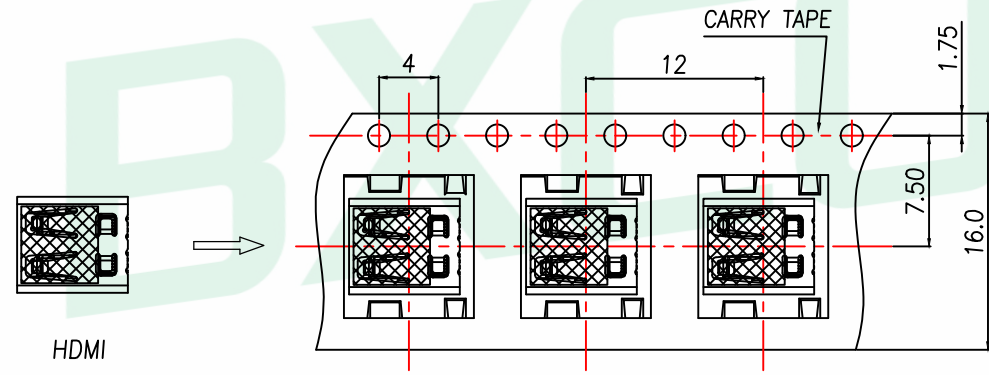
BXCONN[®]



REV.	DESCRIPTION	ECN NO.	NAME	DATE



GATHER MATERIAL DIRECTION ← INPUT MATERIAL DIRECTION →



Notes:

1. The start and end of each reel, based on the actual quantity, reserved 10--15pcs space;
2. Peel off force of top tape: 10g~130g, peel deg.:165~175~; peel speed: 250~300mm/min;
3. Carton size: 350*350*155mm.
4. QTY: 1000pcs/reel, 5reel/carton, total 6000pcs/carton;

GENERAL TOLERANCE		DONGGUAN BAOXUN PRECISION TECHNOLOGY CO., LTD				
DIM.	TOL.	TITLE: HDMI D TYPE 外壳插件 端子贴片				
x.x	±0.30	DWG. NO.: HDMI-01D		CHECKED: MAX		
x.x	±0.25	PART NO.: HDMI-01D		DRAWN: ELLA		
x.xx	±0.15	UNIT: mm		APPROVED: WILL		
GENERAL ANGLE:		SCALE: none	SHEET: 1 of 1	DWG. SIZE: A4	LAYER: bxconn	
x.°	±2.0°					
x.x°	±0.5°					
x.xx°						