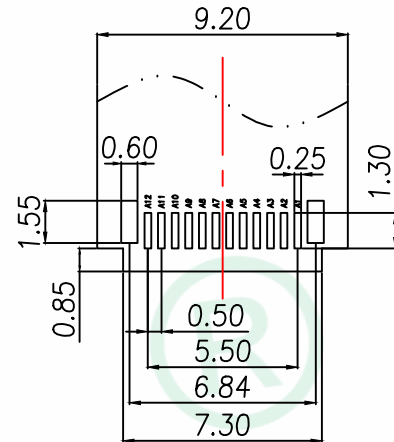




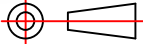
REV.	DESCRIPTION	ECN NO.	NAME	DATE

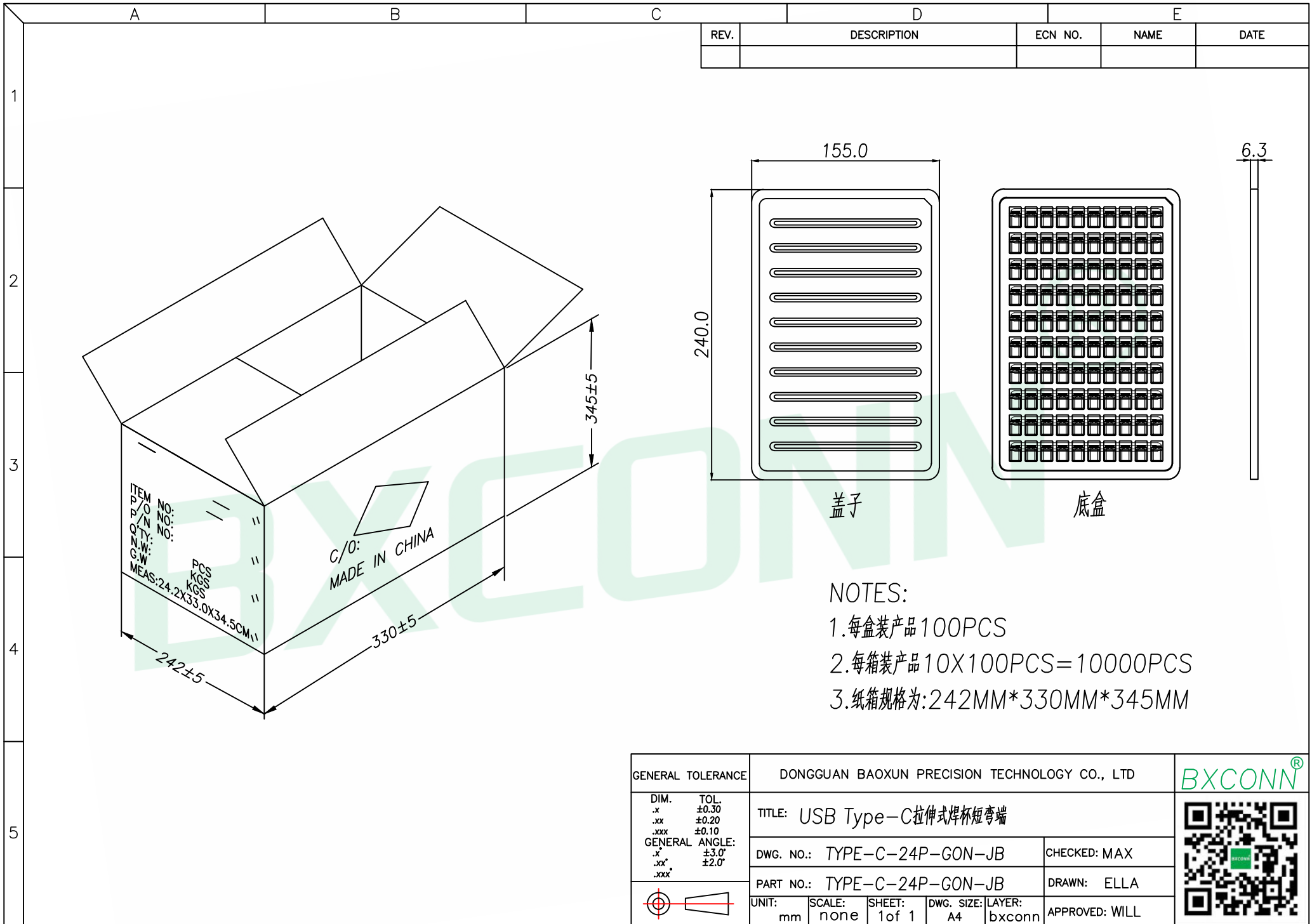
- 1.材质:
- 1.1胶芯: LCP+30%G.F
 - 1.2端子: C7025, T=0.15mm; 镀半金锡
 - 1.3外壳: 不锈钢, T=0.17mm; 表面镀镍
 - 1.4卡钩: 不锈钢, T=0.30mm; 表面镀镍
 - 1.5弹片: 不锈钢, T=0.10mm
- 2.主要特性:
- 2.1额定电流: 3A
 - 2.2接触阻抗: 40mΩ MAX
 - 2.3绝缘阻抗: 100MΩ MIN 250V DC
 - 2.4耐压测试: 250V AC
 - 2.5沾锡性: 温度245±5℃
 - 2.6整体插入力: 2.0kgf MAX
耐久前整体拔出力: 0.8kgf MIN
耐久后整体拔出力: 0.6kgf MIN
 - 2.7使用寿命: 10000次
 - 2.8工作温度: -25℃~+80℃



RECOMMENDED PCB LAYOUT(t=0.80±0.05)
COMPONENT SIDE(GENERAL TOLERANCE:±0.05)

A1	GND	B12	GND
A2	SSTXP1	B11	SSRXP1
A3	SSTXN1	B10	SSRXN1
A4	VBUS	B9	VBUS
A5	CC1	B8	SBU2
A6	DP1	B7	DN2
A7	DN1	B6	DP2
A8	SBU1	B5	CC2
A9	VBUS	B4	VBUS
A10	SSRXN2	B3	SSTXN2
A11	SSRXP2	B2	SSTXP2
A12	GND	B1	GND
PIN	SIGNAL NAME	PIN	SIGNAL NAME

GENERAL TOLERANCE	DONGGUAN BAOXUN PRECISION TECHNOLOGY CO., LTD				
DIM. TOL. .x ±0.30 .xx ±0.20 .xxx ±0.10 GENERAL ANGLE: .x° ±3.0° .xx° ±2.0° .xxx°	TITLE: USB Type-C拉伸式焊杯短弯端				
	DWG. NO.: TYPE-C-24P-GON-JB	CHECKED: MAX			
	PART NO.: TYPE-C-24P-GON-JB	DRAWN: ELLA			
UNIT: mm	SCALE: none	SHEET: 1 of 1	DWG. SIZE: A4	LAYER: bxconn	APPROVED: WILL





REV.	DESCRIPTION	ECN NO.	NAME	DATE

盖子

底盒

NOTES:

1. 每盒装产品 100PCS
2. 每箱装产品 10X100PCS=10000PCS
3. 纸箱规格为: 242MM*330MM*345MM

GENERAL TOLERANCE		DONGGUAN BAOXUN PRECISION TECHNOLOGY CO., LTD				 
DIM.	TOL.	TITLE: USB Type-C 拉伸式焊杯短弯端				
.x	±0.30	DWG. NO.: TYPE-C-24P-GON-JB		CHECKED: MAX		
.xx	±0.20	PART NO.: TYPE-C-24P-GON-JB		DRAWN: ELLA		
.xxx	±0.10	UNIT: mm		APPROVED: WILL		
GENERAL ANGLE:		SCALE: none	SHEET: 1 of 1	DWG. SIZE: A4	LAYER: bxconn	
.x°	±3.0°					
.xx°	±2.0°					
.xxx°						