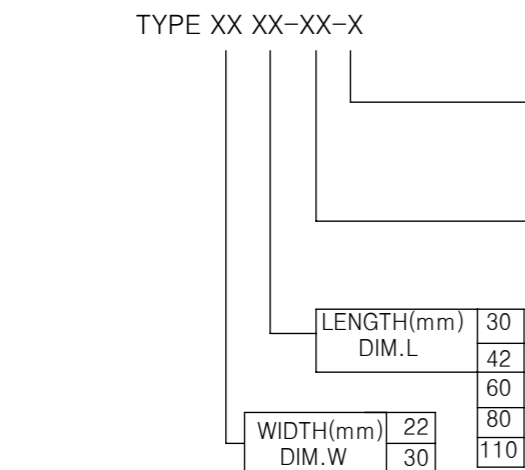
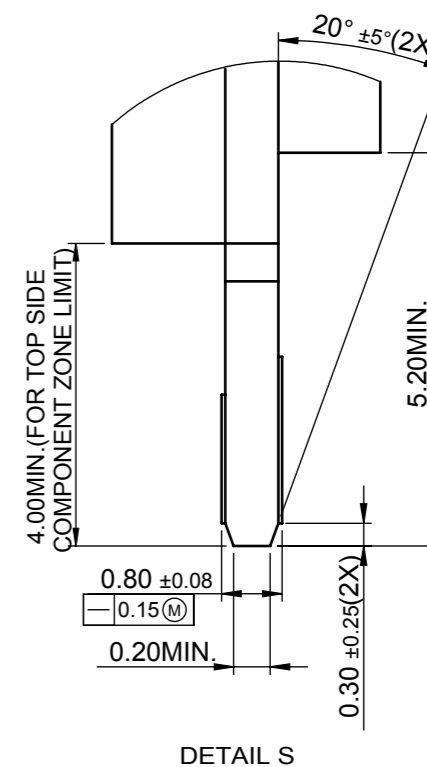
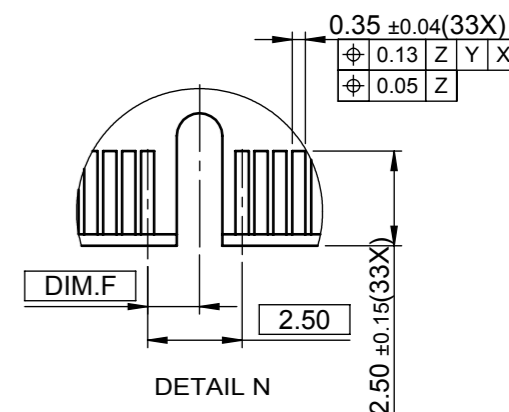
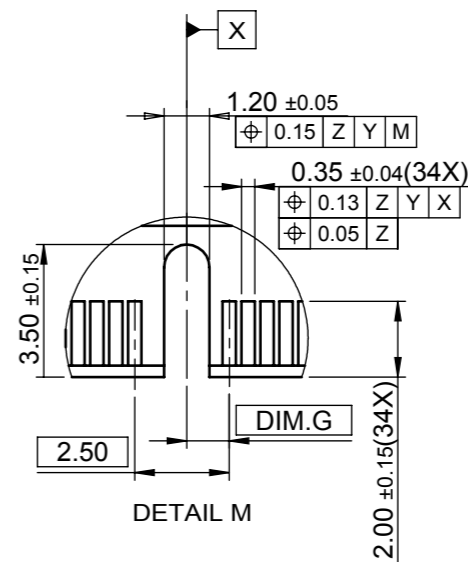
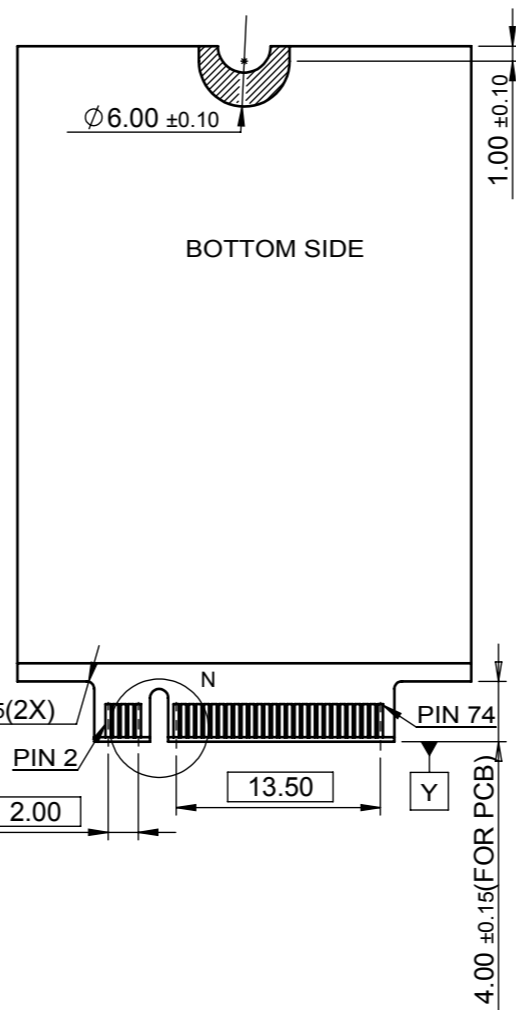
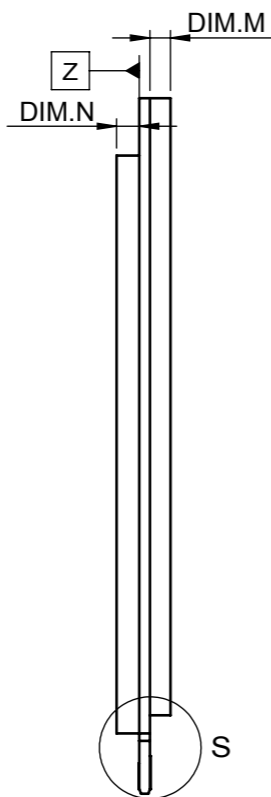
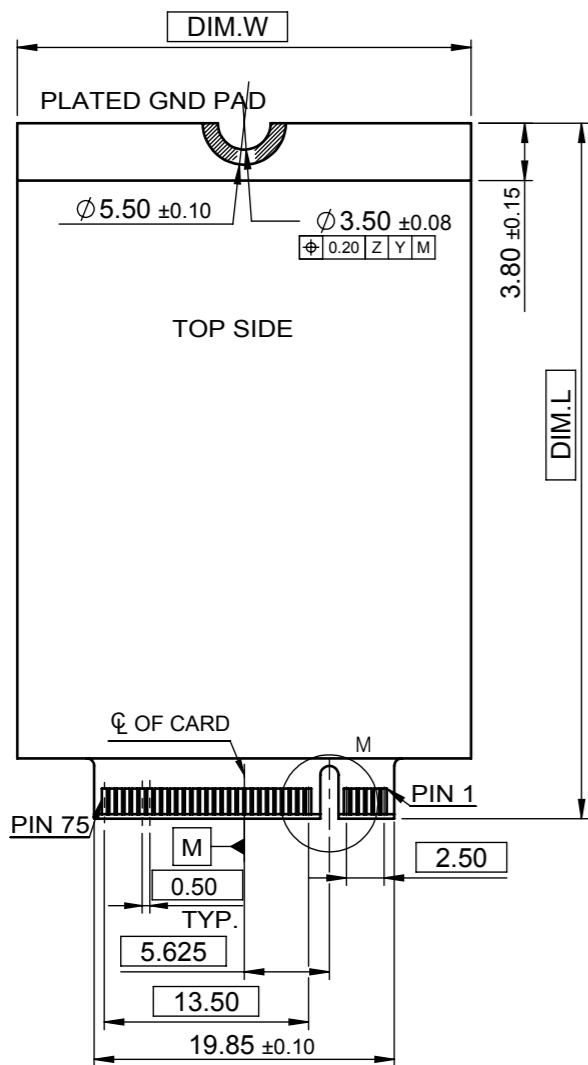


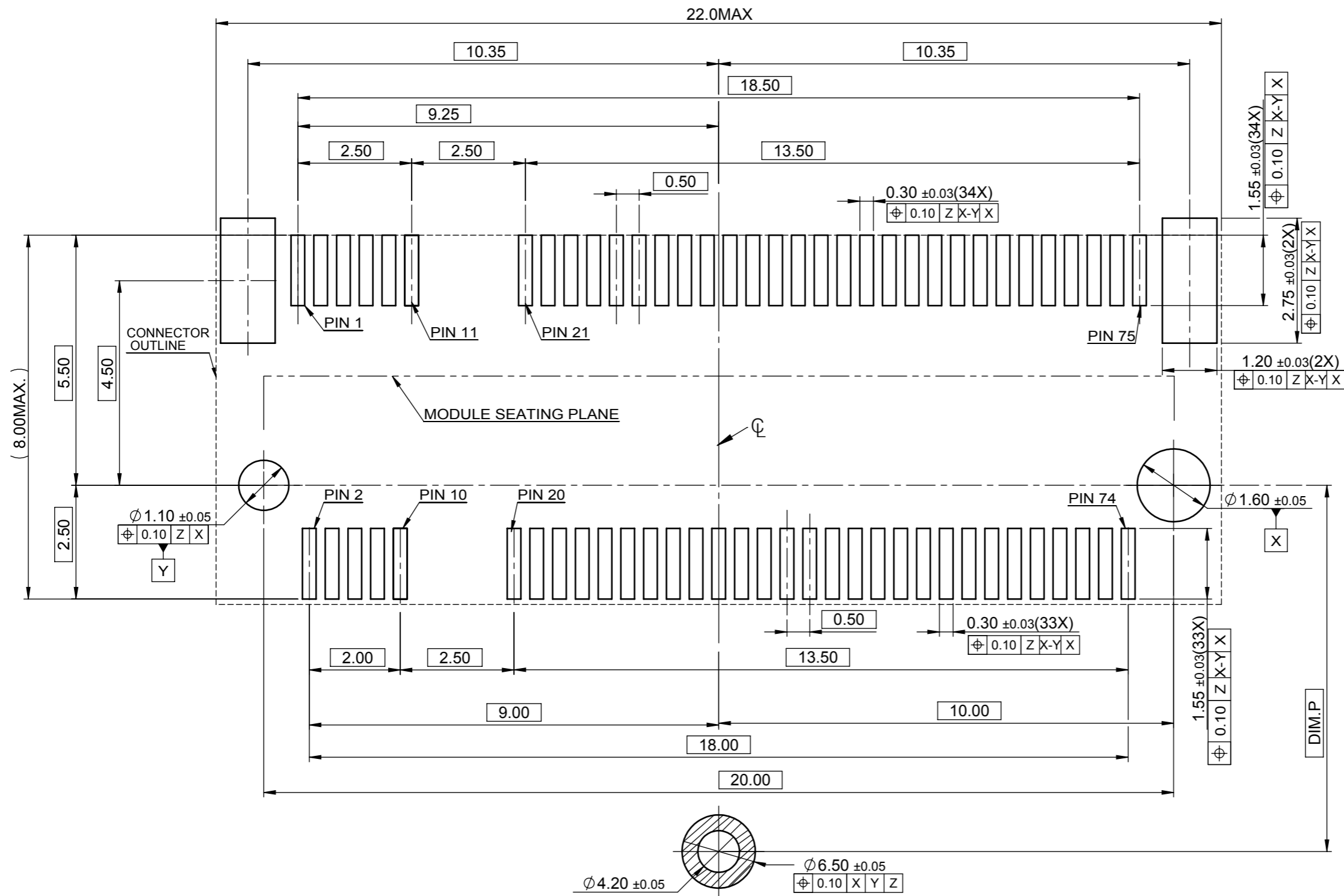
REV.	ECN.NO.	APPD



KEY ID	COMPONENT MAX HEIGHT(mm)	
	DIM.N	DIM.M
S1	1.2	0
S2	1.35	0
S3	1.5	0
S4	1.75	0
S5	2.0	0
D1	1.2	1.35
D2	1.35	1.35
D3	1.5	1.35
D4	1.5	0.7
D5	1.5	1.5

X. ± 0.15	X° ± 2°	UNITS mm	NAME(INTENDED USE)	FOXCONN® FOXCONN INTERCONNECT TECHNOLOGY LIMITED.	
.X ± 0.10	.X° ± 1°		M.2 (NGFF) CONNECTOR(KEYB)		
.XX ± 0.05	.XX° ±	MAT'L	PART NO.(INTENDED USE)	CLASS: <input type="checkbox"/> CONFIDENTIAL <input type="checkbox"/> SECRET <input checked="" type="checkbox"/> GENERAL	
.XXX ±	.XXX° ±		FINISH	2E0BC2*-S85BB-*H	TITLE: CUSTOMER DRAWING
THESE DRAWINGS AND SPECIFICATIONS ARE THE PROPERTY OF FOXCONN INTERCONNECT TECHNOLOGY LIMITED, AND SHALL NOT BE REPRODUCED, COPIED OR USED IN ANY MANNER WITHOUT THE PRIOR WRITTEN CONSENT OF FOXCONN INTERCONNECT TECHNOLOGY LIMITED.			APPD: Davy Bu	DWG NO.:	
			CHKD: Z.J.Chen	317-0000-2665	
			DR: Allen Zhao 2017/6/5		
			SCALE	SHEET	REV.
			N/A	2/5	B

REV.	ECN. NO.	APPD.



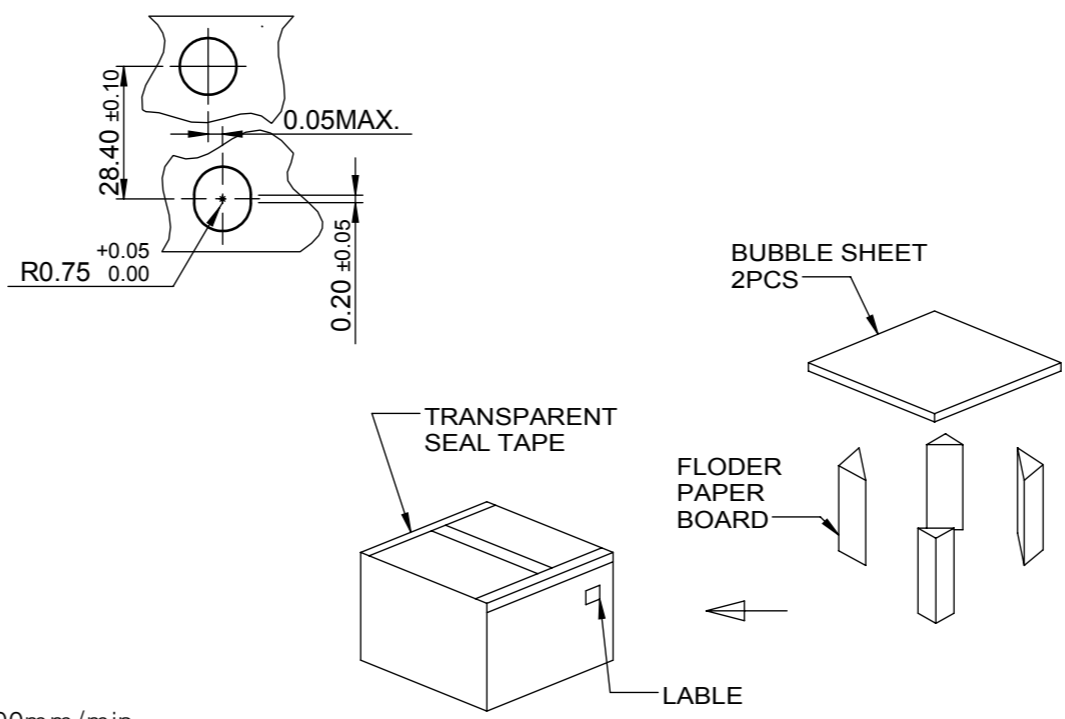
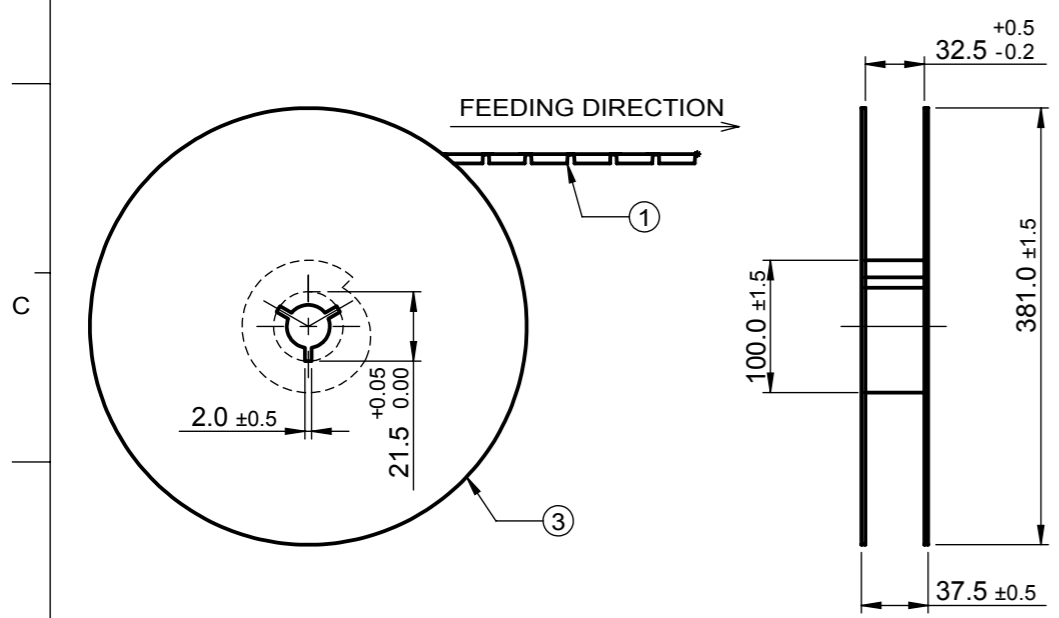
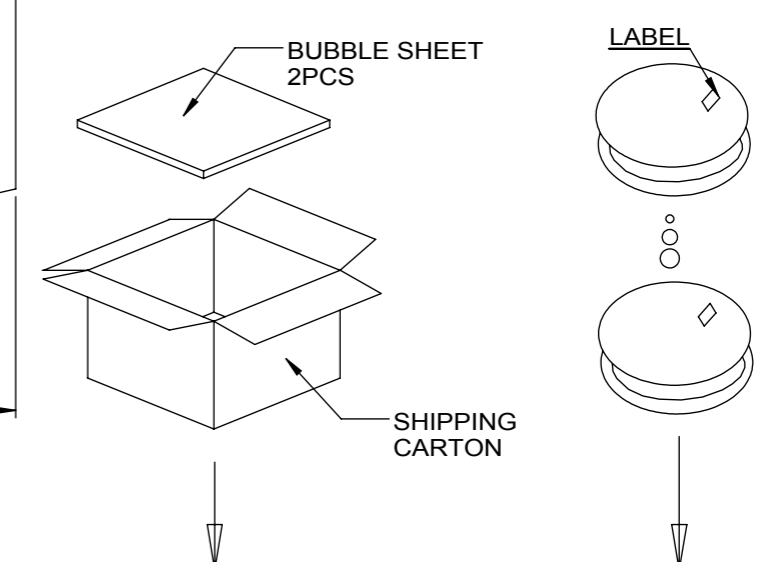
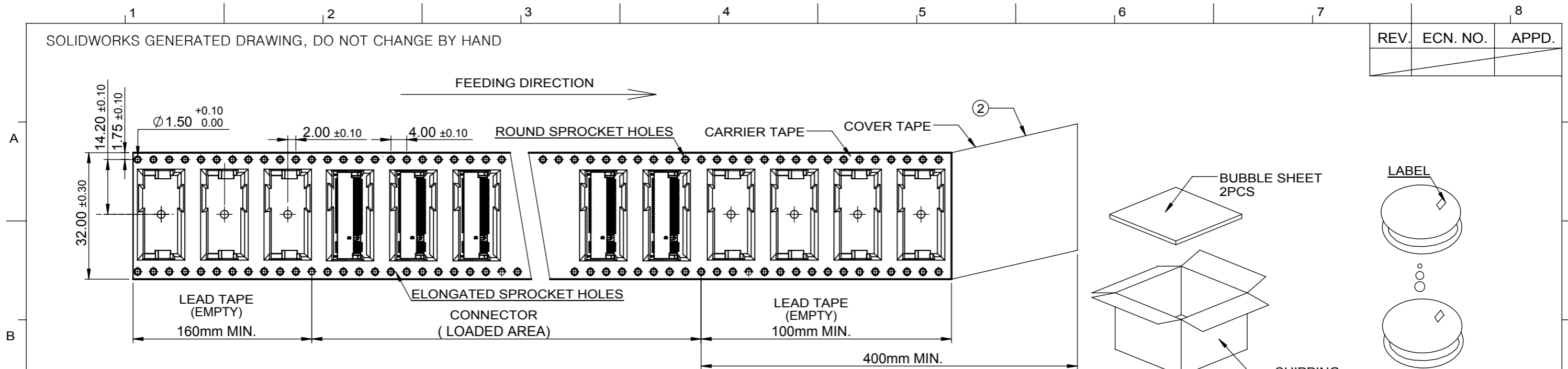
22110	107.6
2280	77.6
2260	57.6
2242	39.6
2230	27.6
3042	39.6
3030	27.6
TYPE	DIM.P

DATUM Z IS THE PCB SOLDER SURFACE

X. ± 0.15	X. ° ±	UNITS mm	NAME (INTENDED USE)	FOXCONN® FOXCONN INTERCONNECT TECHNOLOGY LIMITED.
.X ± 0.10	.X ° ±		M.2 (NGFF) CONNECTOR (KEYB)	
.XX ± 0.05	.XX ° ±	FINISH	PART NO. (INTENDED USE)	CLASS: <input type="checkbox"/> CONFIDENTIAL <input type="checkbox"/> SECRET <input checked="" type="checkbox"/> GENERAL
.XXX ±	.XXX ° ±		Q'TY	2E0BC2*-S85BB-*H
THESE DRAWINGS AND SPECIFICATIONS ARE THE PROPERTY OF FOXCONN INTERCONNECT TECHNOLOGY LIMITED AND SHALL NOT BE REPRODUCED COPIED OR USED IN ANY MANNER WITHOUT THE PRIOR WRITTEN CONSENT OF FOXCONN INTERCONNECT TECHNOLOGY LIMITED.			APPD: Davy Bu	DWG NO.: 317-0000-2665
			CHKD: Z.J.Chen	SCALE SHEET REV. N/A 3/5 B
			DR: Allen Zhao 2017/6/5	

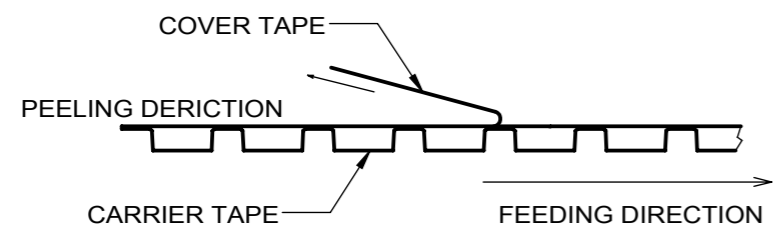
SOLIDWORKS GENERATED DRAWING, DO NOT CHANGE BY HAND

REV.	ECN. NO.	APPD.



NOTES:

- COVER TAPE PEELING STRENGTH : 0.01 kgf MIN & 0.13 kgf MAX. AT 300mm/min.
- 10 POCKETS HOLE PITCH CUMULATIVE TOLERANCE ±0.20mm.



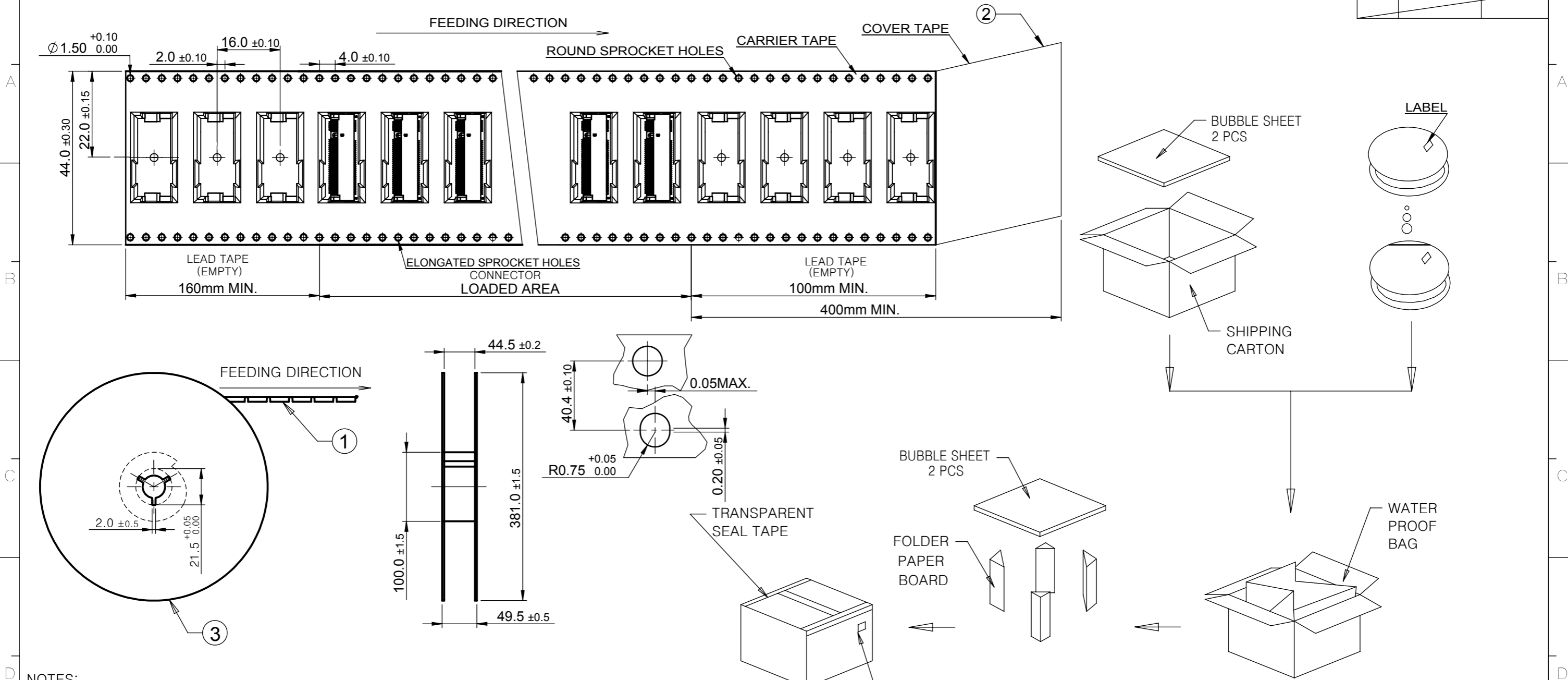
③	REEL	POLYSTYRENE
②	COVER TAPE	POLYESTER
①	CARRIER TAPE	POLYSTYRENE
ITEM	DESCRIPTION	MATERIAL

X. ± 0.30	X. ° ±	UNITS mm	NAME(INTENDED USE)	FOXCONN® FOXCONN INTERCONNECT TECHNOLOGY LIMITED.	
.X ± 0.25	.X ° ±		M.2 (NGFF) CONNECTOR(KEYB)		
.XX ± 0.15	.XX ° ±		PART NO.(INTENDED USE)		
.XXX ±	.XXX ° ±		2E0BC2*-S85BB-*H		
THESE DRAWINGS AND SPECIFICATIONS ARE THE PROPERTY OF FOXCONN INTERCONNECT TECHNOLOGY LIMITED AND SHALL NOT BE REPRODUCED COPIED OR USED IN ANY MANNER WITHOUT THE PRIOR WRITTEN CONSENT OF FOXCONN INTERCONNECT TECHNOLOGY LIMITED			APPD:	Davy Bu	
			CHKD:	Z.J.Chen	
			DR:	Allen Zhao 2017/6/5	
Q'TY			TITLE: CUSTOMER DRAWING	DWG NO.: 317-0000-2665	
			SCALE	SHEET	REV.
			N/A	4/5	B

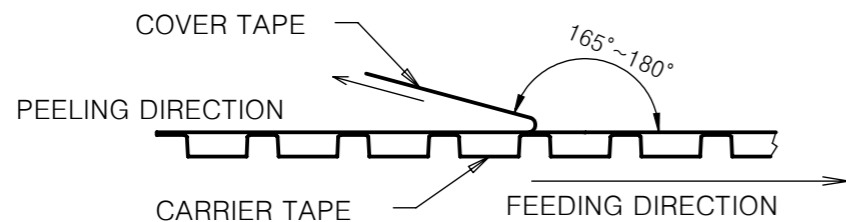
2E0BC2*-S85BB-7H	550	7	3850
P/N	PCS/REEL	REEL/BOX	PCS/BOX

SOLIDWORKS GENERATED DRAWING, DO NOT CHANGE BY HAND

REV.	ECN. NO.	APPD.



- NOTES:
- COVER TAPE PEELING STRENGTH : 0.01 kgf MIN & 0.13 kgf MAX. AT 300mm/min.
 - 10 POCKETS HOLE PITCH CUMULATIVE TOLERANCE ± 0.20 mm.



③	REEL	POLYSTYRENE
②	COVER TAPE	POLYESTER
①	CARRIER TAPE	POLYSTYRENE
ITEM	DESCRIPTION	MATERIAL

2E0BC2*-S85BB-LH	550	5	2750
P/N	PCS/REEL	REEL/BOX	PCS/BOX

X. ± 0.30	X. ° ±	UNITS mm	NAME(INTENDED USE) M.2 (NGFF) CONNECTOR(KEYB)	FOXCONN® FOXCONN INTERCONNECT TECHNOLOGY LIMITED.
.X ± 0.25	.X ° ±			
.XX ± 0.15	.XX ° ±	FINISH	APPD: Davy Bu	CLASS: <input type="checkbox"/> CONFIDENTIAL <input type="checkbox"/> SECRET <input checked="" type="checkbox"/> GENERAL
.XXX ±	.XXX ° ±	Q'TY	CHKD: Z.J.Chen	TITLE: CUSTOMER DRAWING
THESE DRAWINGS AND SPECIFICATIONS ARE THE PROPERTY OF FOXCONN INTERCONNECT TECHNOLOGY LIMITED AND SHALL NOT BE REPRODUCED COPIED OR USED IN ANY MANNER WITHOUT THE PRIOR WRITTEN CONSENT OF FOXCONN INTERCONNECT TECHNOLOGY LIMITED			DR: Allen Zhao 2017/6/5	DWG NO.: 317-0000-2665